

6. DIAGRAMS AND LIST OF SUBASSEMBLIES

INHALT	Seite
<hr/>	
LOCATION OF ASSEMBLIES	
FRONT VIEW	6/1
BACK VIEW	6/2
LOCATION OF JUMPERS AND ADJUSTING ELEMENTS	6/3
VU-PEAK BOARD ADJUSTING ELEMENTS	6/4
<hr/>	
WIRING DIAGRAMS	
WIRING BLOCK DIAGRAM	6/5
WIRE HARNESS MONITOR	6/7
LINE POTMETER OUTPUT	6/8
CONNECTION UNIT	6/9
<hr/>	
TAPE DECK CONTROL DIAGRAMS	
SPOOLING SERVO BLOCK DIAGRAM	6/11
CPU BLOCK DIAGRAM	6/12
CAPSTAN SERVO DIAGRAM	6/13
MAINS TRANSFORMER	1.777.300.00 6/15
DISTRIBUTOR BOARD	1.777.320.00 6/17
CONTROL BOARD	1.777.400.22 6/19
TENSION ARM BOARD	1.777.211.00 6/23
TAPE MOVE SENSOR PCB	1.020.316.00 6/25
TAPE SENSOR BOARD	1.050.312.00 6/27
TACHO BOARD	1.777.250.00 6/29
CAPSTAN SERVO BOARD	1.777.410.21 6/31
CAPSTAN SERVO BOARD	1.777.412.21 6/35
FAST START BOARD	1.777.414.00 6/39
CONNECTION BOARD	1.777.441.00 6/41
KEYBOARD	1.777.450.00 6/43
KEYBOARD	1.777.451.00 6/45
<hr/>	
AUDIO DIAGRAMS	
AUDIO BLOCK DIAGRAM	6/47
AUDIO BASIS BOARD	1.777.500.81 6/49
MIC-LINE-SWITCH BOARD	1.777.520.00 6/53
INSTALLATION INSTRUCTIONS FOR THE MIC OPTION BOARD	6/55
RECORD EQUALIZER BOARD	1.777.540.00 6/57
RECORD SPEED BOARD 9.5/19 IEC	1.777.550.00 6/59
RECORD SPEED BOARD 19/38 IEC	1.777.552.00 6/61
RECORD SPEED BOARD 9.5/38 IEC	1.777.554.00 6/63
RECORD SPEED BOARD 19/38 NAB	1.777.558.00 6/67
RECORD SPEED BOARD 9.5/38 NAB	1.777.559.00 6/69
ERASE AMPLIFIER BOARD	1.777.560.81 6/71
BIAS CONTROL BOARD	1.777.570.81 6/73
PREAMPLIFIER BOARD	1.777.610.00 6/75
REPRODUCE EQUALIZER BOARD	1.777.620.00 6/77
REPRO SPEED BOARD 9.5/19 IEC	1.777.630.00 6/79
REPRO SPEED BOARD 19/38 IEC	1.777.632.00 6/81
REPRO SPEED BOARD 9.5/38 IEC	1.777.634.00 6/83
REPRO SPEED BOARD 9.5./19 NAB	1.777.636.00 6/85
REPRO SPEED BOARD 19/38 NAB	1.777.638.00 6/87
REPRO SPEED BOARD 9.5/38 NAB	1.777.639.00 6/89
OUTPUT AMPLIFIER BOARD	1.777.640.00 6/91
AUDIO SWITCH BOARD	1.777.462.00 6/93
AUDIO SWITCH BOARD	1.777.463.00 6/95
VU-PEAK BOARD	1.777.460.00 6/97

Subject to change
Prepared and edited by
STUDER REVOX
TECHNICAL DOCUMENTATION
Althardstrasse 10
CH-8105 Regensdorf-Zürich

Copyright by WILLI STUDER AG
Printed in Switzerland

Order No.: 10.30.0691 (Ed. 0489)

REVOX is a registered trade mark of WILLI STUDER AG
Regendorf.

ABBREVIATIONS

A	assembly
ANT	antenna
B	bulb
BA	battery, accumulator
BR	optocoupler (bulb --> LDR)
C	capacitor
D	diode, DIAC
DL	LED light-emit. diode
DLQ	optocoupler (LED --> phototransistor)
DLR	optocoupler (LED --> LDR)
DLZ	LED-array, 7-segment-display
DP	photodiode
DZ	rectifier
E	electronic part
EF	headphones
F	fuse
FL	filter
H	head (sound-/erase-)
HC	hybrid circuit
HE	hall element
IC	integrated circuit
J	jack (female)
JS	jumper
K	relay, contactor
L	coil, inductance
LS	loudspeaker
M	motor
ME	meter
MIC	microphone
MP	mechanical part
P	plug (male)
PU	pick up
Q	transistor, FET, thyristor, TRIAC
QP	phototransistor
QPZ	phototransistor-array
R	resistor
RP	light depend. resistor
RT	temp. sensit. resistor
RZ	resistor array
S	switch
T	transformator
TL	delay line
TP	test point
W	wire, stranded wire
X	socket, holder
XB	lamp socket
XF	fuse holder
XIC	IC-socket
Y	quarz, piezoelement
Z	network, array

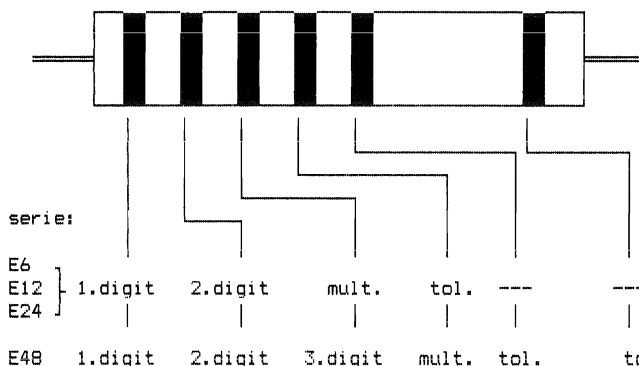
POWERS OF TEN

designation	abbrev.	value
Tera-	T	10 ¹²
Giga-	G	10 ⁹
Mega-	M	10 ⁶
Kilo-	k	10 ³
Milli-	m	10 ⁻³
Mikro-	μ	10 ⁻⁶
Nano-	n (mμ)	10 ⁻⁹
Pico-	p (μμ)	10 ⁻¹²
Femto-	f	10 ⁻¹⁵

() = USA used designation

CODE LETTERS AND COLORS

Resistors



color	digit	multiplier	tolerance	tc
gold	-	0,01	5 %	-
silver	-	0,1	10 %	-
black	0	1	-	-
brown	1	10	1 %	100·10 ⁻⁶ /K
red	2	100	2 %	50·10 ⁻⁶ /K
orange	3	1 k	-	15·10 ⁻⁶ /K
yellow	4	10 k	-	25·10 ⁻⁶ /K
green	5	100 k	0,5 %	-
blue	6	1 M	0,25 %	-
violet	7	10 M	0,1 %	-
grey	8	-	-	-
white	9	-	-	-

No tc-coding = 50 · 10⁻⁶/K

CAPACITORS

The tolerance category is sometimes specified by a letter after the rated capacitance:

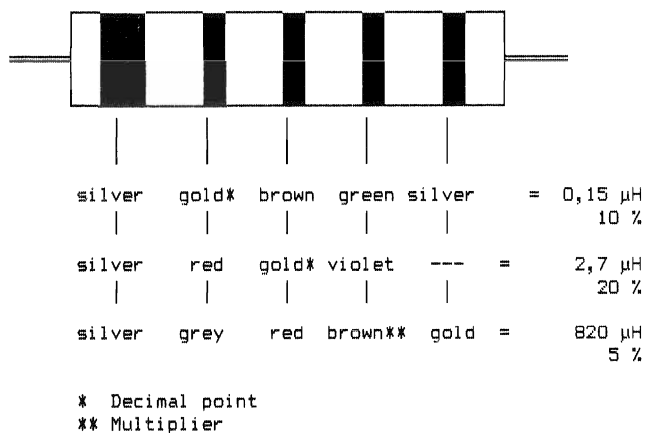
D	= 0,5 %
F	= 1 %
G	= 2 %
J	= 5 %
K	= 10 %
M	= 20 %

MOLDED RF COILS

A wide silver-colored ring and 4 thin, differently colored rings identify molded RF coils. The wide silver ring indicates the start of the counting direction. The second, third, and fourth ring indicate the inductance in micro Henry (μH), where two of the three rings represent the numeric value, the third one either a multiplier or the numeric value, the third one either a multiplier or the decimal point. In the latter case it has a golden color. The fifth ring identifies the tolerance in percent (\pm).

color	digit	multiplier	tolerance
gold	,	-	5 %
silver	-	-	10 %
black	0	1	-
brown	1	10	1 %
red	2	100	2 %
orange	3	10 ³	-
yellow	4	10 ⁴	-
green	5	10 ⁵	0,5 %
blue	6	10 ⁶	-
violet	7	10 ⁷	-
grey	8	10 ⁸	-
white	9	10 ⁹	-
without	-	-	20 %

examples:



INDUCTORS, transformers on ferrite cores

Inductors and transformers on ferrite cores are marked with three colored dots (for color codes, refer to the table in the section "Resistors", the two left-hand columns). These dots represent the last three digits of the WILLY STUDER standard number, the largest of the standard number (1.022.- --> are always the same).

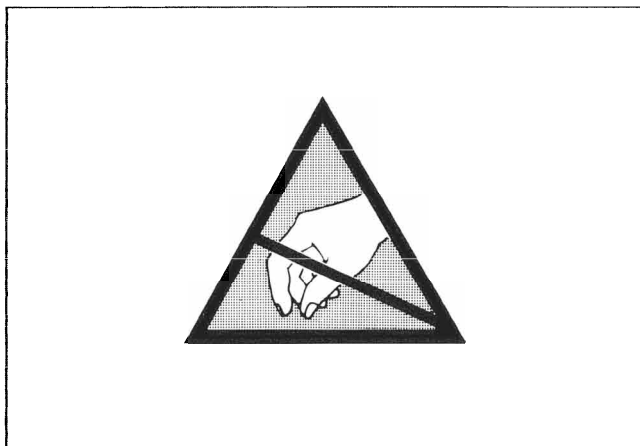
E.g.: Driver Transformer, 150 khz.
Standard number: 1.022.211
Color code: red (large dot), brown, brown

Terminal 1 of the winding form is usually identified by a lobe; if not the winding form features a yellow dot near terminal No. 1.

NOTE

Some of the order numbers contained in the following lists are used for production purposes only. The reference numbers may deviate for service purposes. Electrical components such as resistors, capacitors, transistors, IC's etc. having no special unit-specific number and not identified respectively should be purchased locally.

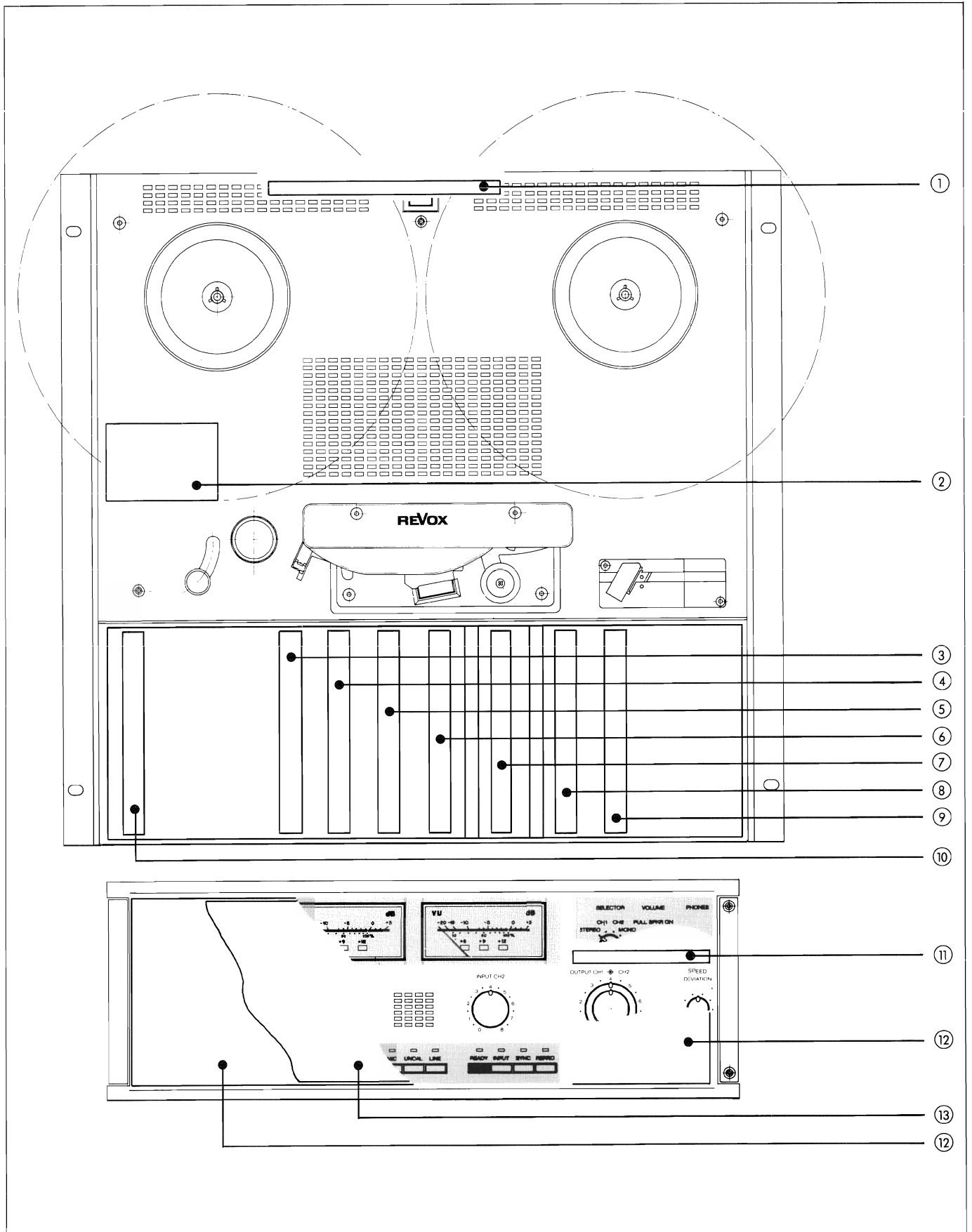
ELECTROSTATICALLY SENSITIVE SEMICONDUCTOR DEVICES



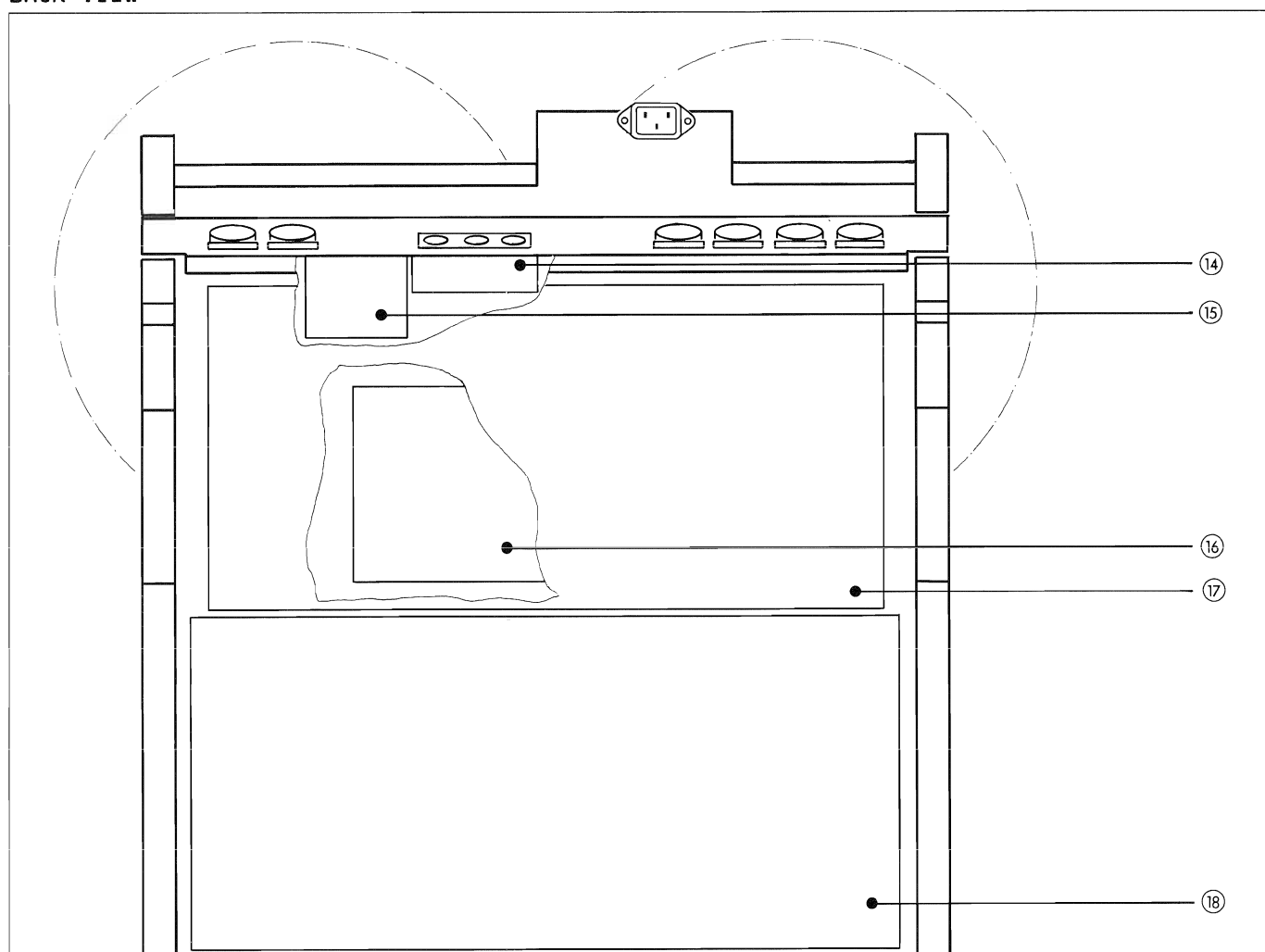
MOS (Metal oxide semiconductor) devices are very sensitive to electrostatic charges. The following precautions should, therefore, be observed:

1. Electrostatically sensitive semiconductor devices and assemblies are stored and shipped in protective packing is identified with the label illustrated above.
2. Strictly avoid contact of the connector pins with plastic bags and foils or other statically chargeable materials.
3. Ensure that your wrist is grounded before touching the connector pins.
4. Use a grounded, conductive plastic pad as a work surface.
5. Never unplug or insert printed circuit boards while the equipment is under power! The equipment must have been switched off for at least 5 seconds before any PCBs are pulled out or inserted!

FRONT VIEW

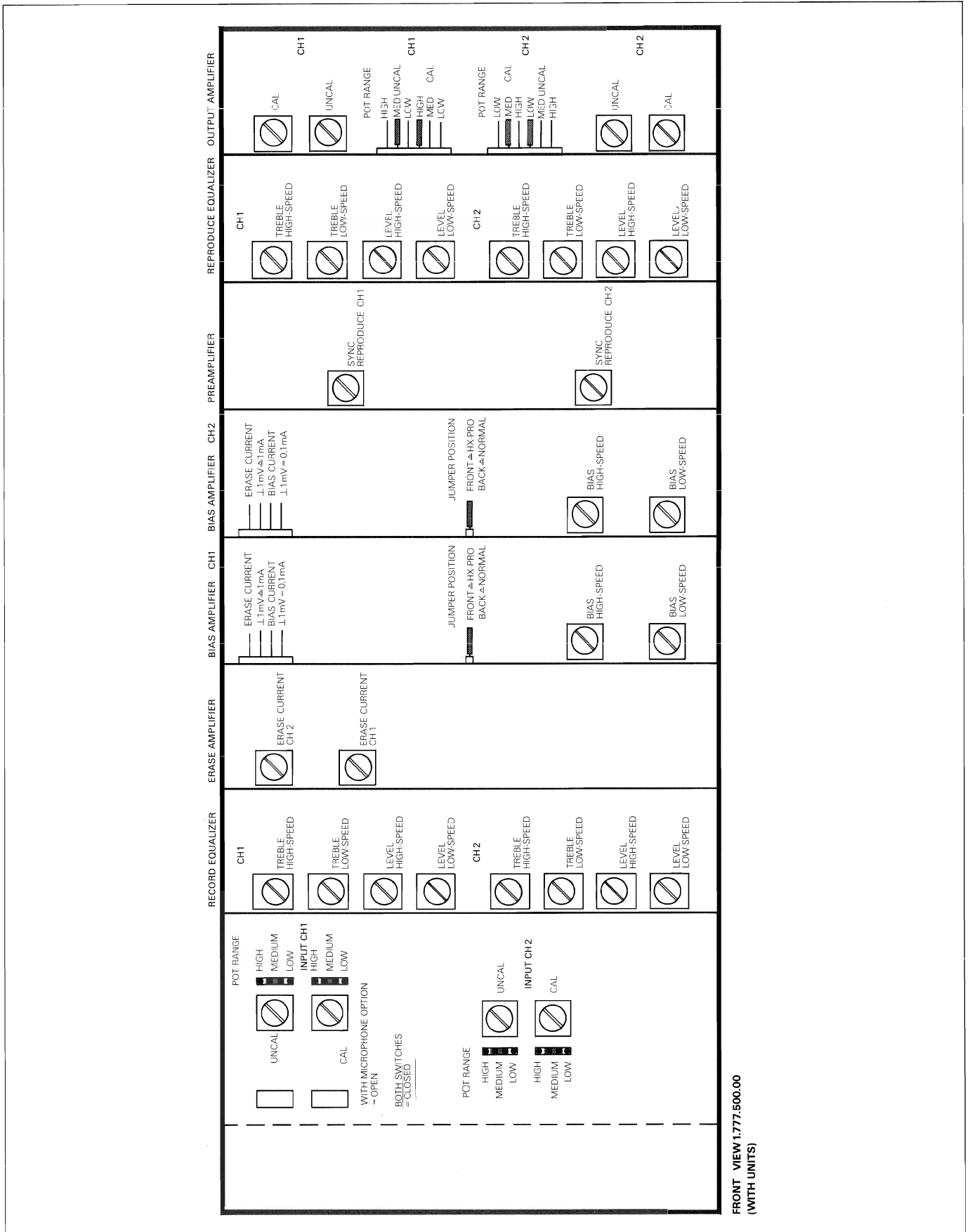


BACK VIEW



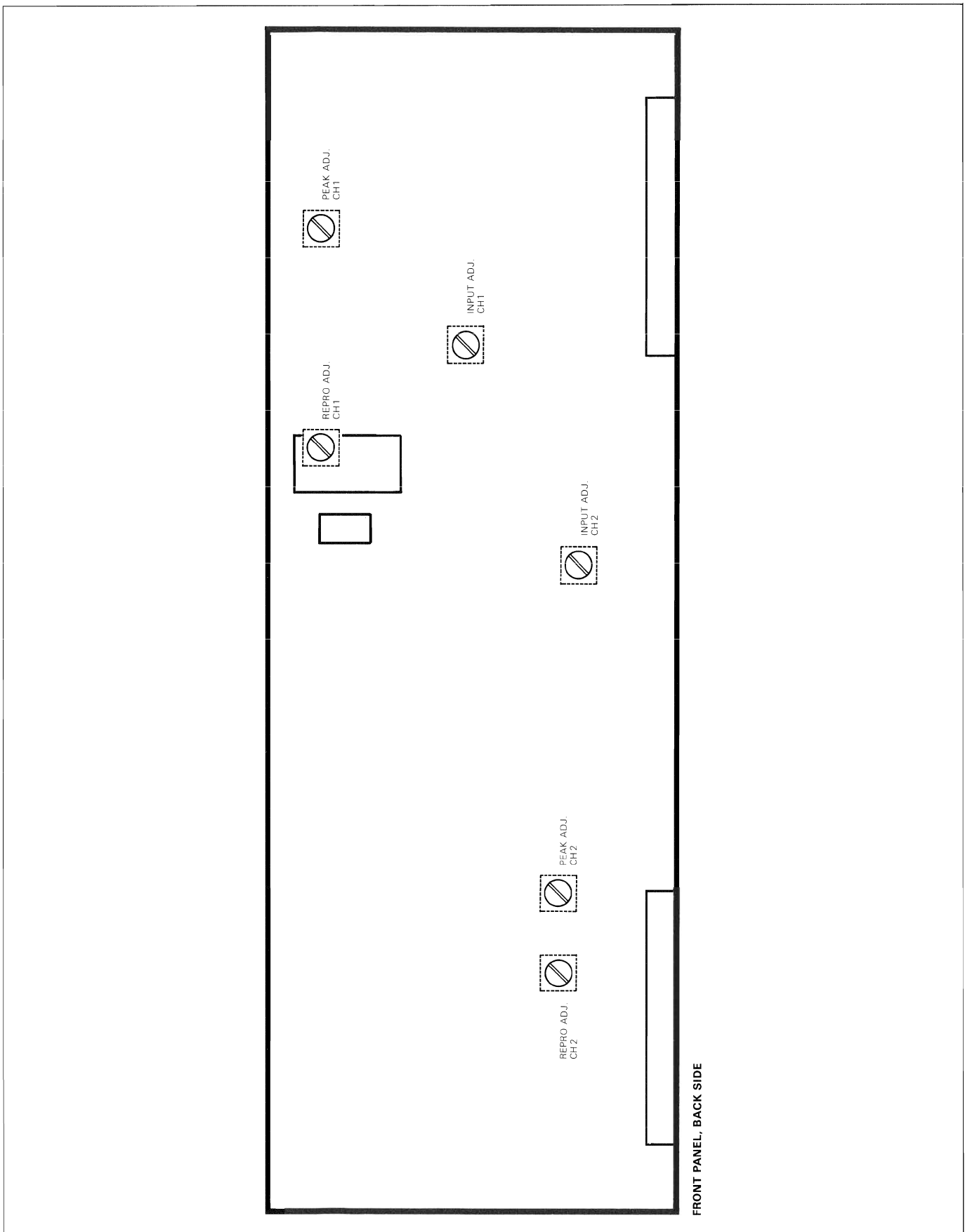
[1]	DISTRIBUTOR BOARD	1.777.320.00
[2]	TENSION ARM BOARD	1.777.211.00
[3]	RECORD EQUALIZER BOARD	1.777.540.00
	- RECORD SPEED BOARD	1.777.550.00 - .559.00
[4]	ERASE AMPLIFIER BOARD	1.777.560.00
[5]	BIAS AMPLIFIER BOARD	1.777.570.00
[6]	BIAS AMPLIFIER BOARD	1.777.570.00
[7]	PREAMPLIFIER BOARD	1.777.610.00
[8]	REPRODUCE EQUALIZER BOARD	1.777.620.00
	- REPRO SPEED BOARD	1.777.630.00 - .639.00
[9]	OUTPUT AMPLIFIER BOARD	1.777.640.00
[10]	MIC LINE SWITCH BOARD (Option)	1.777.520.00
[11]	SWITCH BOARD	1.777.462.00
[12]	KEYBOARD	1.777.450.00
[13]	VU-PEAK BOARD	1.777.460.00
[14]	CONNECTION BOARD	1.777.441.00
[15]	TACHO BOARD	1.777.250.00
[16]	CAPSTAN SERVO BOARD	1.777.410.20
	- FAST START BOARD	1.777.414.00
[17]	CONTROL BOARD	1.777.400.22
[18]	AUDIO BASIS BOARD	1.777.500.81

LOCATION OF JUMPERS AND ADJUSTING ELEMENTS



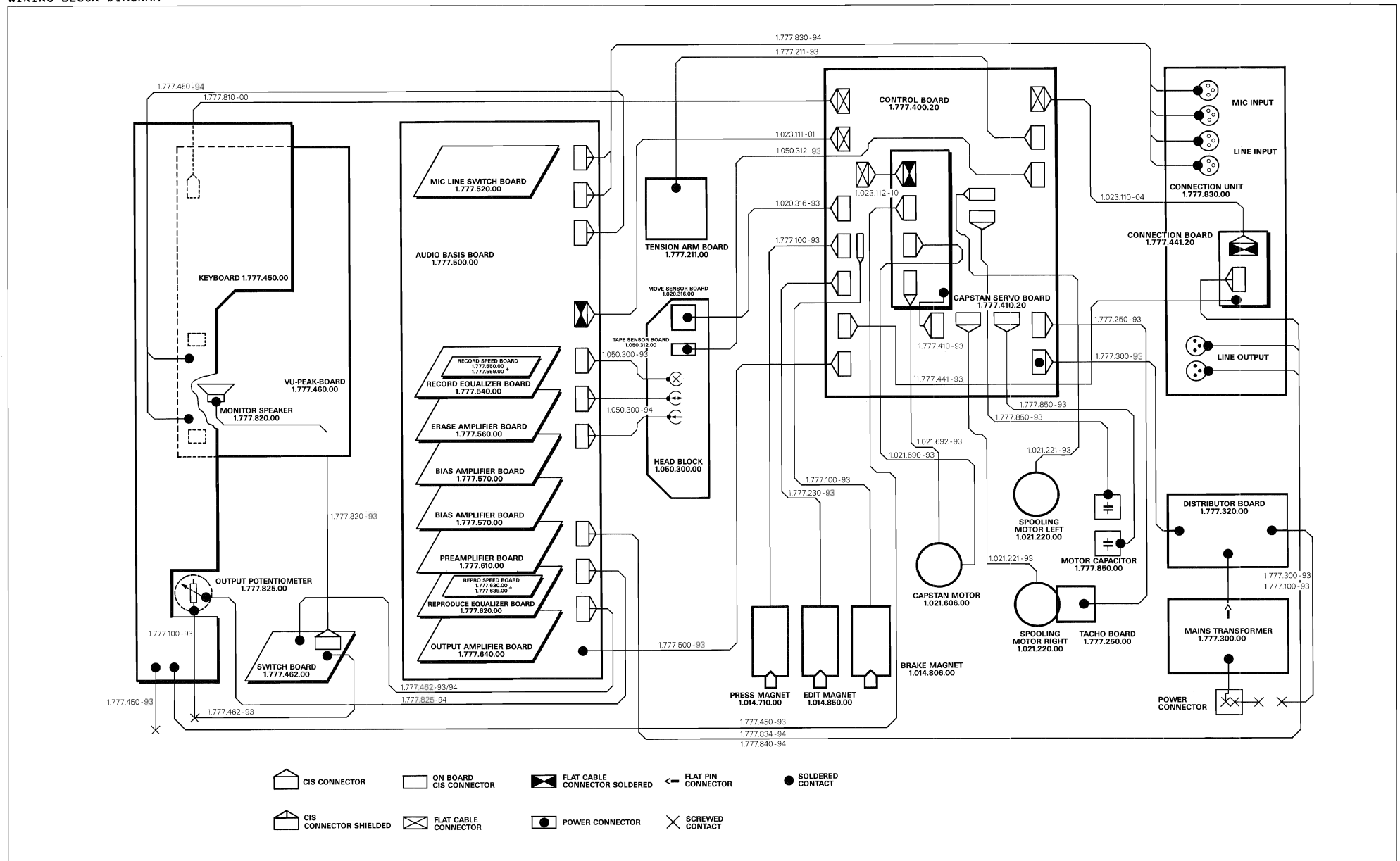
FRONT VIEW 1.777.500.00
(WITH UNITS)

VU-PEAK BOARD ADJUSTING ELEMENTS

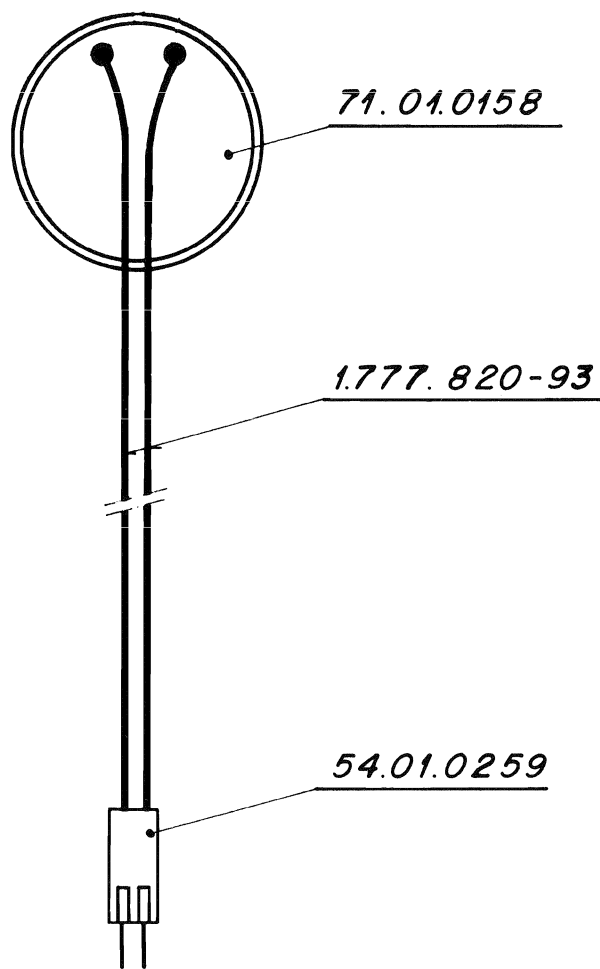


FRONT PANEL, BACK SIDE

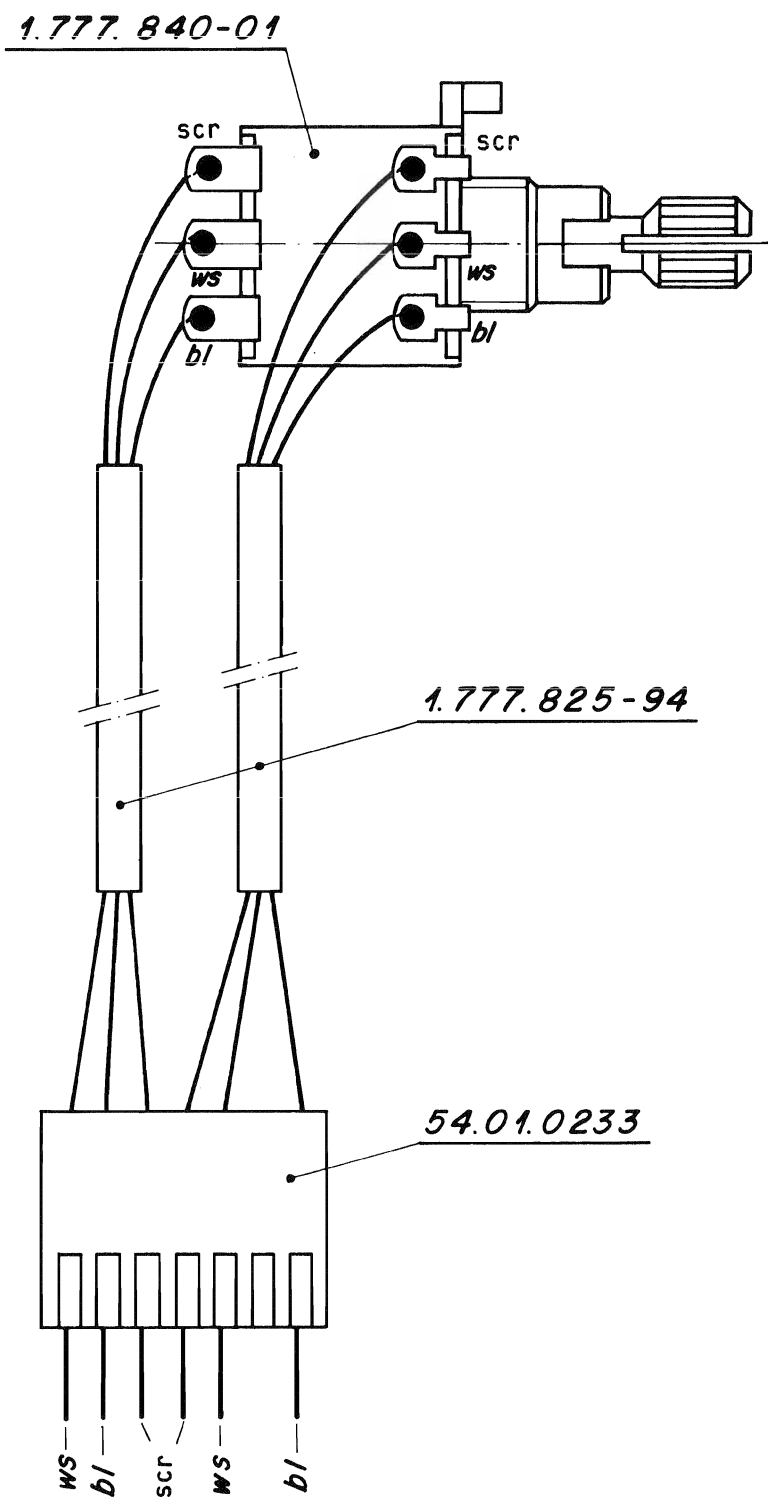
WIRING BLOCK DIAGRAM



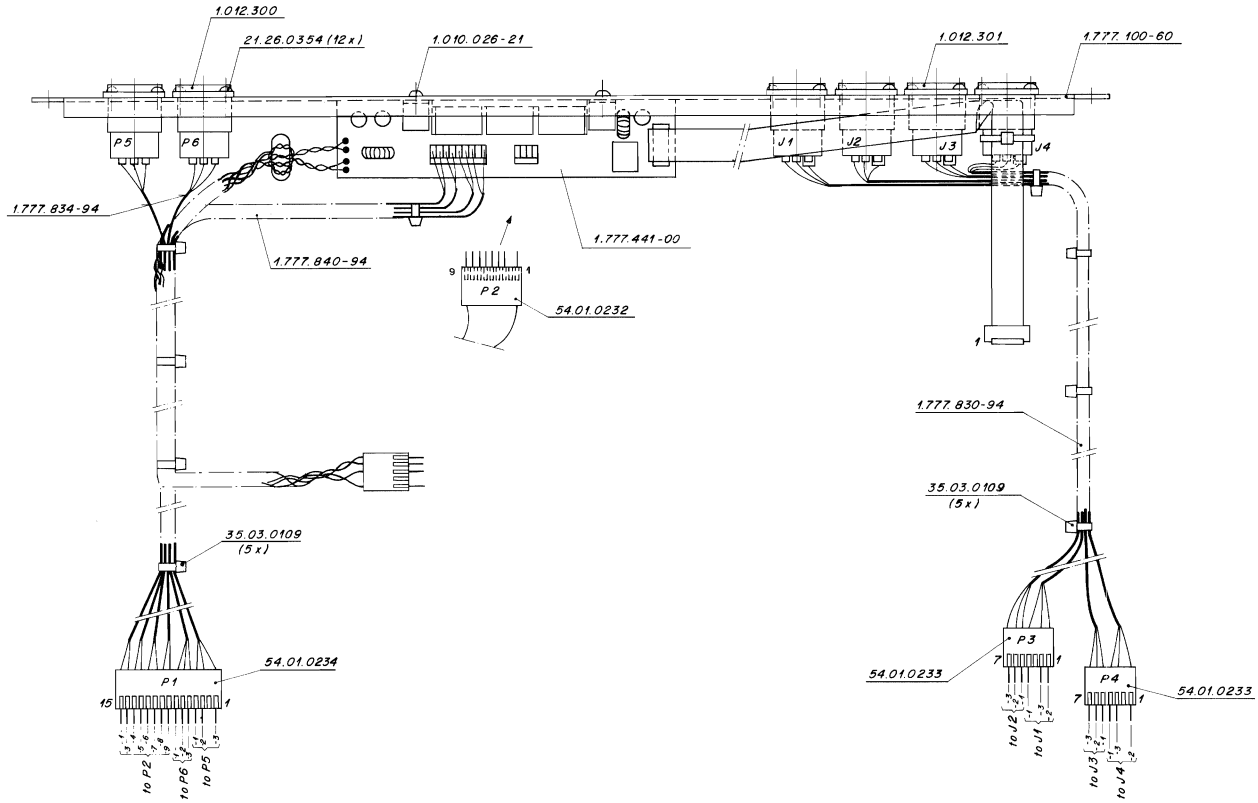
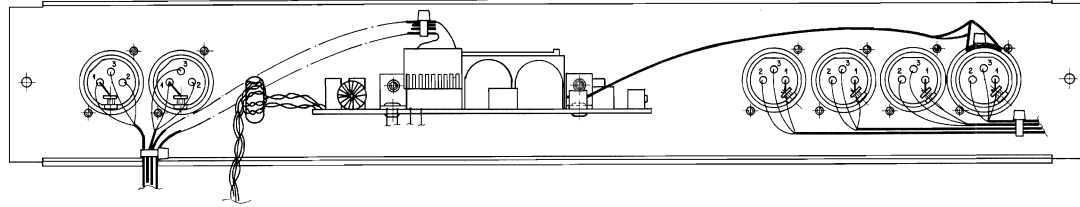
WIRE HARNESS MONITOR 1.777.820.00



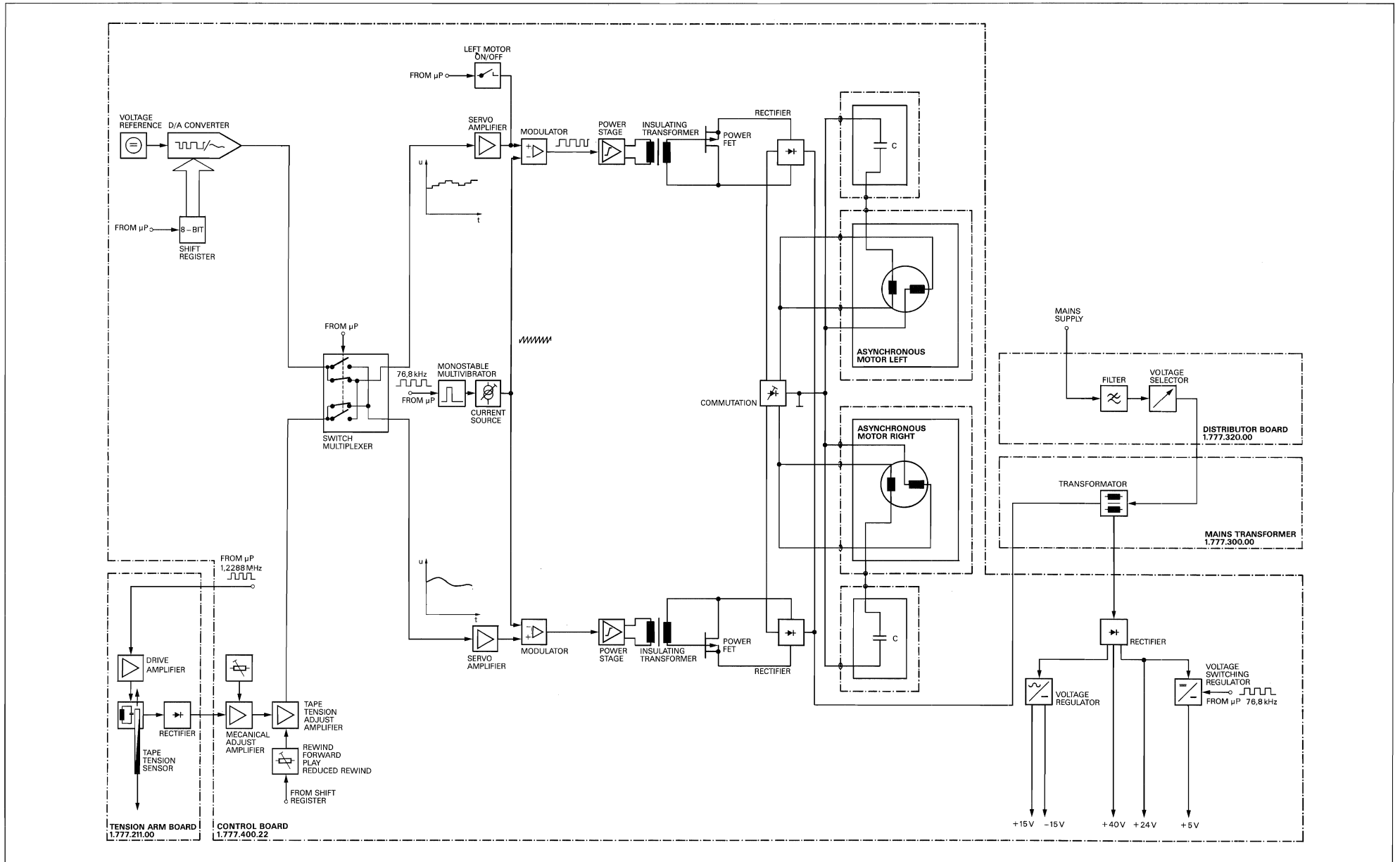
LINE POTMETER OUTPUT 1.777.825.00



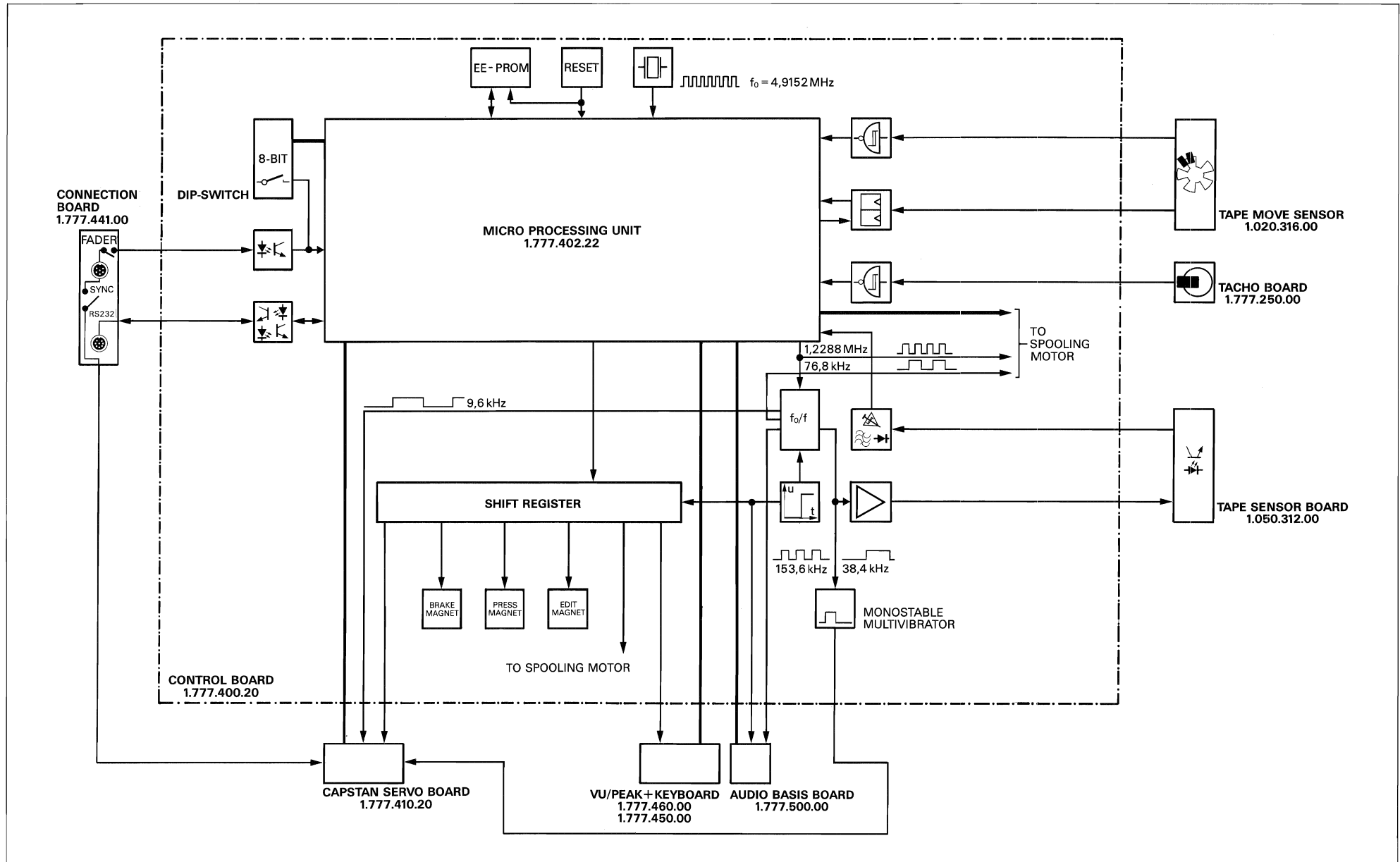
CONNECTION UNIT 1.777.830.00



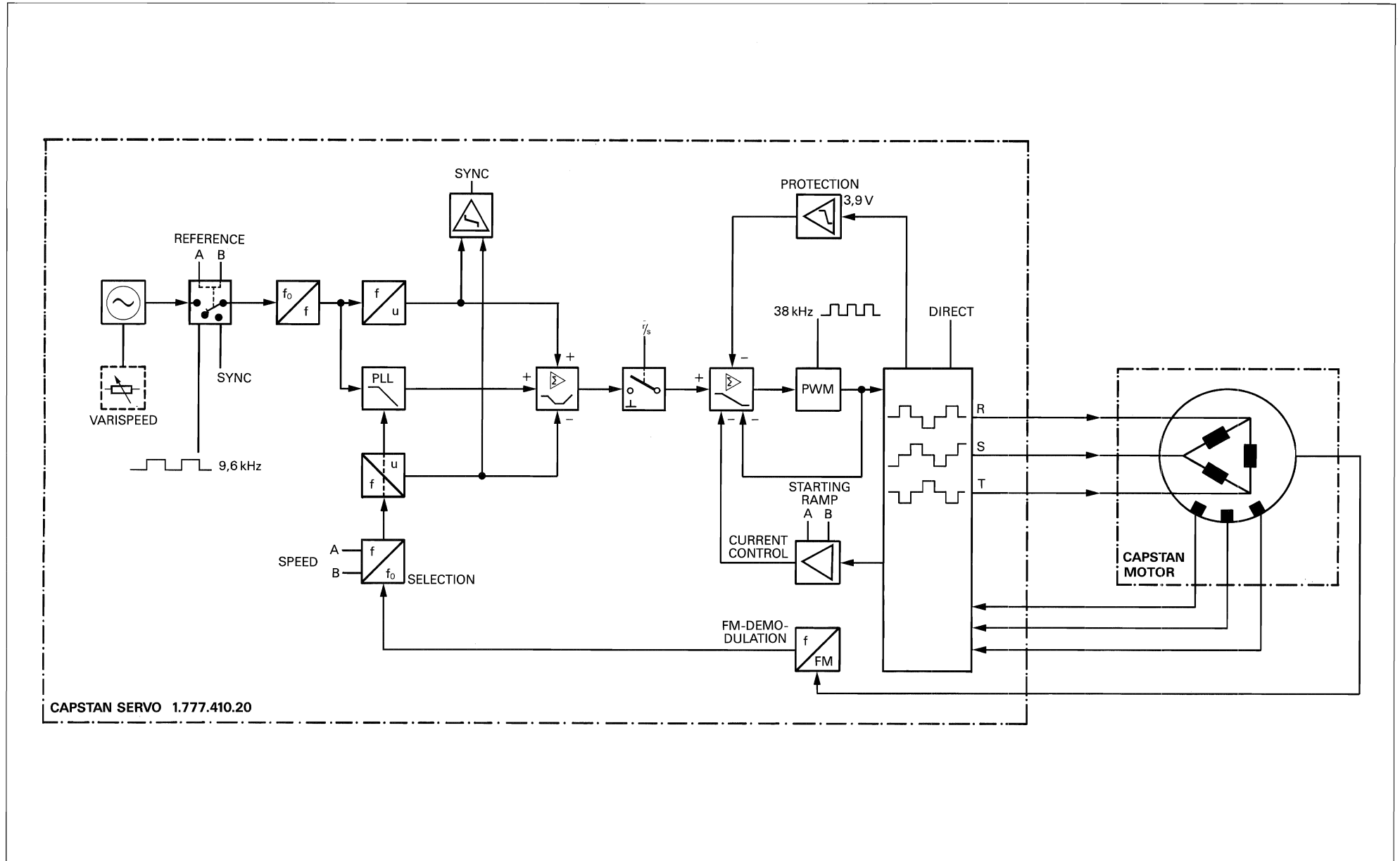
SPOOLING SERVO BLOCK DIAGRAM



CPU BLOCK DIAGRAM

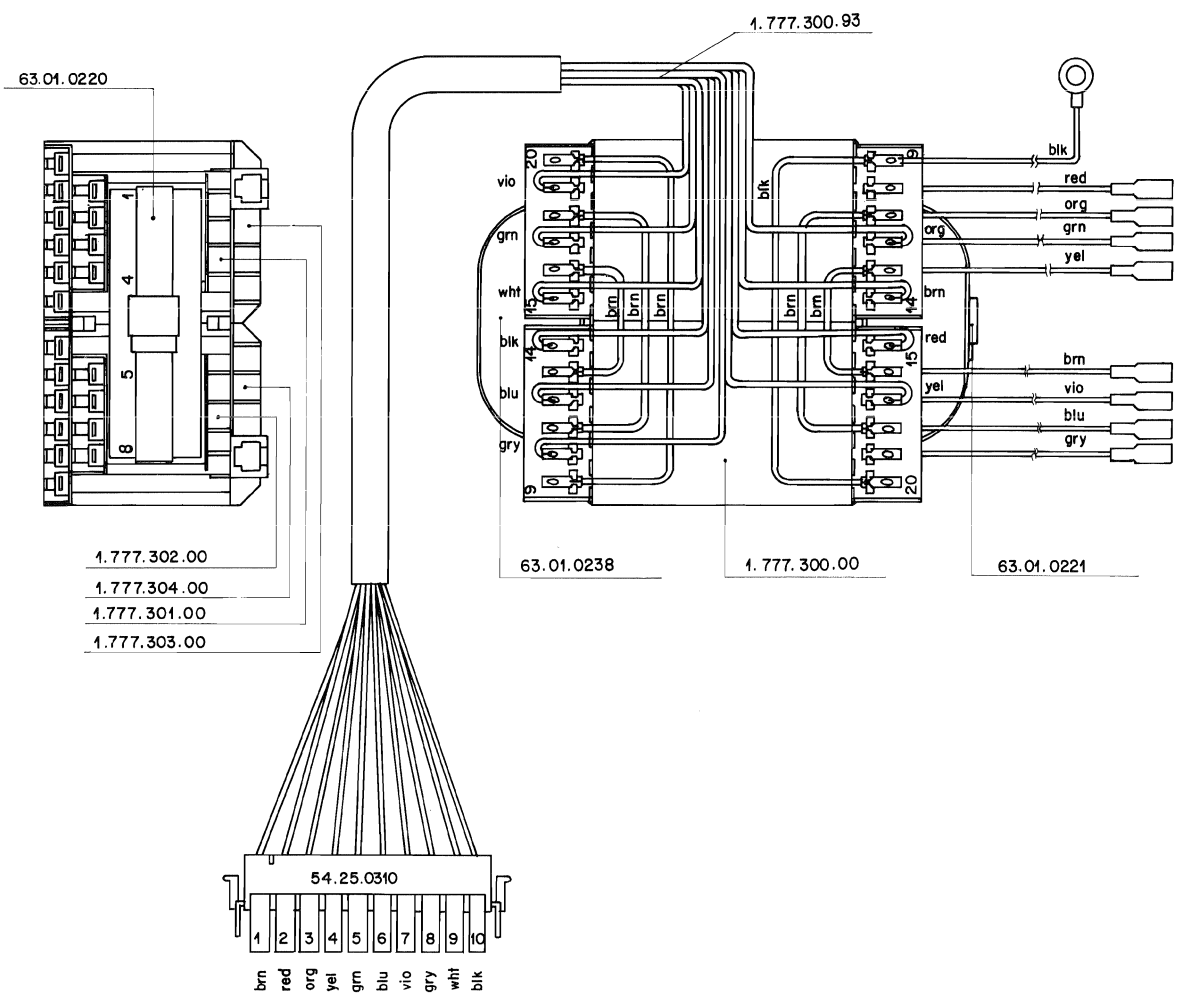


CAPSTAN SERVO DIAGRAM

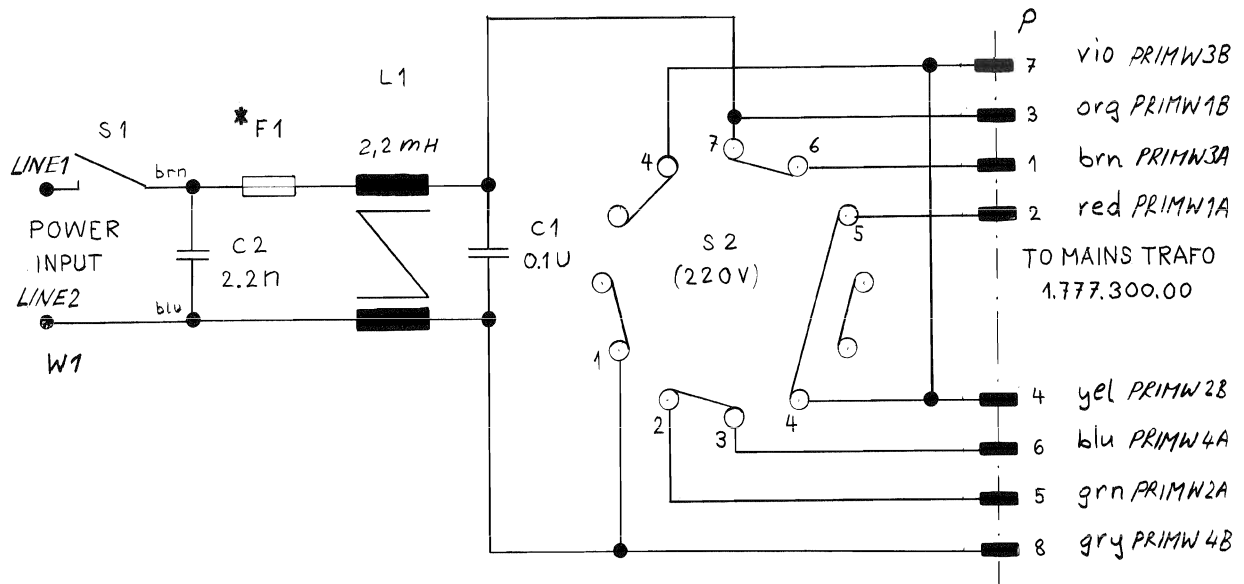


CAPSTAN SERVO 1.777.410.20

MAINS TRANSFORMER 1.777.300.00



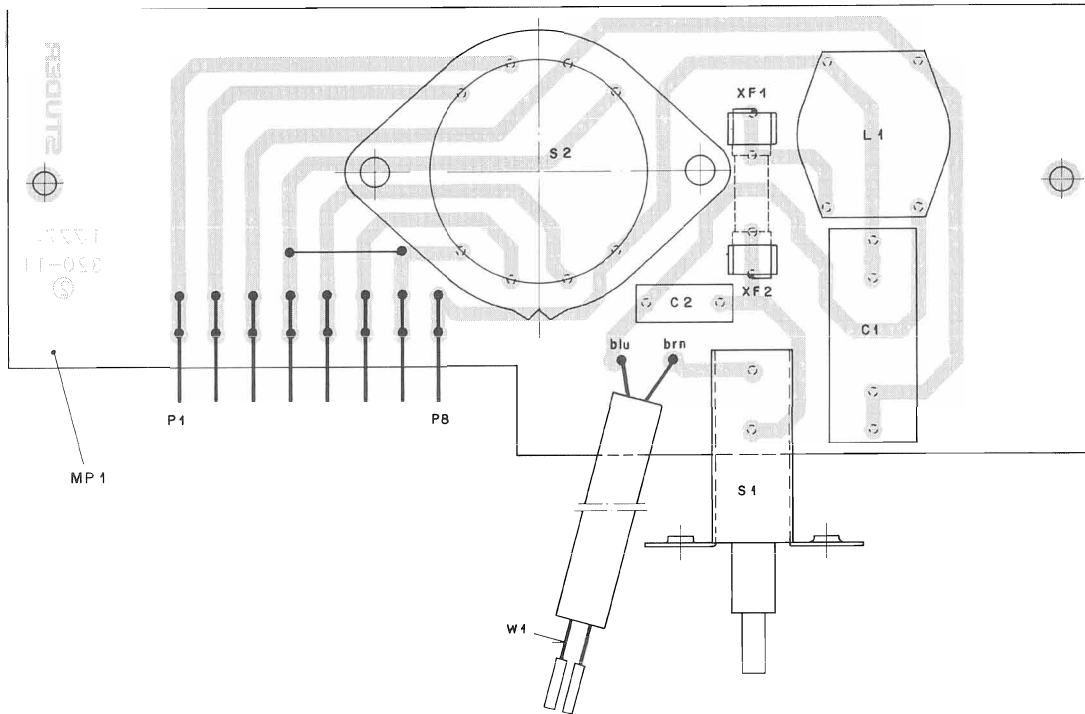
DISTRIBUTOR BOARD 1.777.320.00



*Power fuse (F1)
 100...140V: T 2,5 A / 250V (slow)
 200...240V: T 1,25A / 250V (slow)

08.1.87
C270				PAGE 1 OF 1
STUDER	DISTRIBUTOR BOARD			SC 1.777.320.00

DISTRIBUTOR BOARD 1.777.320.00



IND.	PDS-NO.	PART NO.	VALUE	SPECIFICATIONS / EQUIVALENT	MANUF.
		C..0001	59.14.0104	.1 U	Ri
		C..0002	59.14.0222	2200 P	Ri
		L..0001	62.03.0100	2±2.2mH	Sie+Tokin
(00)	MP.0001	1.777.320.11		DISTRIBUTOR PCB	St
(01)	MP.0001	1.777.320.11		DISTRIBUTOR PCB -(1)	St
(02)	MP.0001	1.777.320.12		DISTRIBUTOR PCB -(1)	St
		P..0001	54.02.0328	2.8±0.8	St
		P..0002	54.02.0328	2.8±0.8	St
		P..0003	54.02.0328	2.8±0.8	St
		P..0004	54.02.0328	2.8±0.8	St
		P..0005	54.02.0328	2.8±0.8	St
		P..0006	54.02.0328	2.8±0.8	St
		P..0007	54.02.0328	2.8±0.8	St
		P..0008	54.02.0328	2.8±0.8	St
		S..0001	55.33.0286	- 240V	Alps
		S..0002	53.03.0131	- 240V	Teckentrup
		XF.0001	53.33.0142	5 ± 20	St
		XF.0002	53.33.0142	5 ± 20	St
		W..0001	1.777.320.93	WL-DISTRIBUTOR BOARD	St

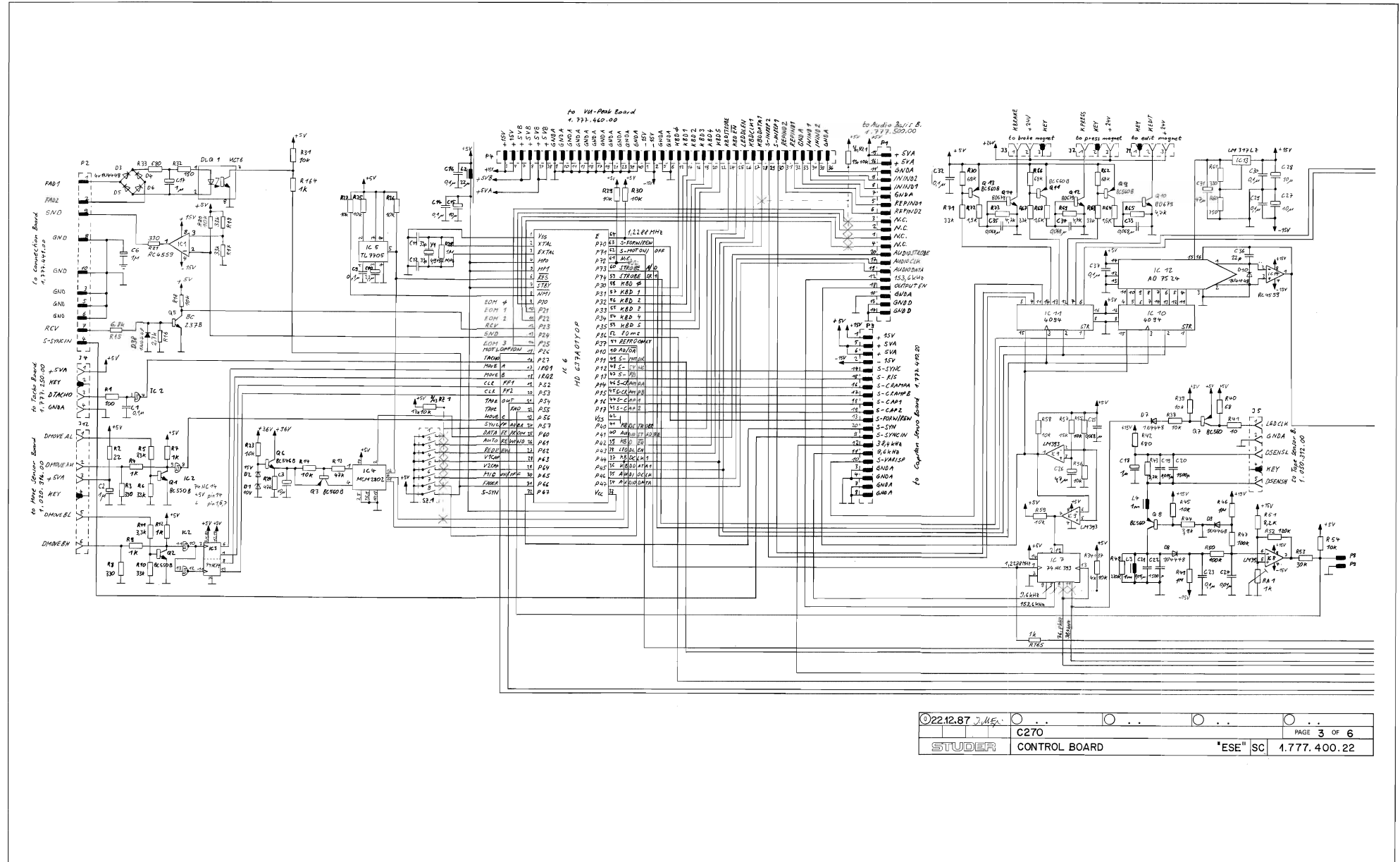
(01) 14-01-87 Value adjust
 (02) 18-05-88 PCB revise

MANUFACTURER: Ri=Rifa,Alps=AlpsCo,Teckentrup=Teckentrup KG,St=Studer
 Sie=Siemens

ORIG 86/09/19 (01) 87/01/16 (02) 88/05/18

S T U D E R (02) 88/05/18 DISTRIBUTOR BOARD PL 1.777.320.00 PAGE 1

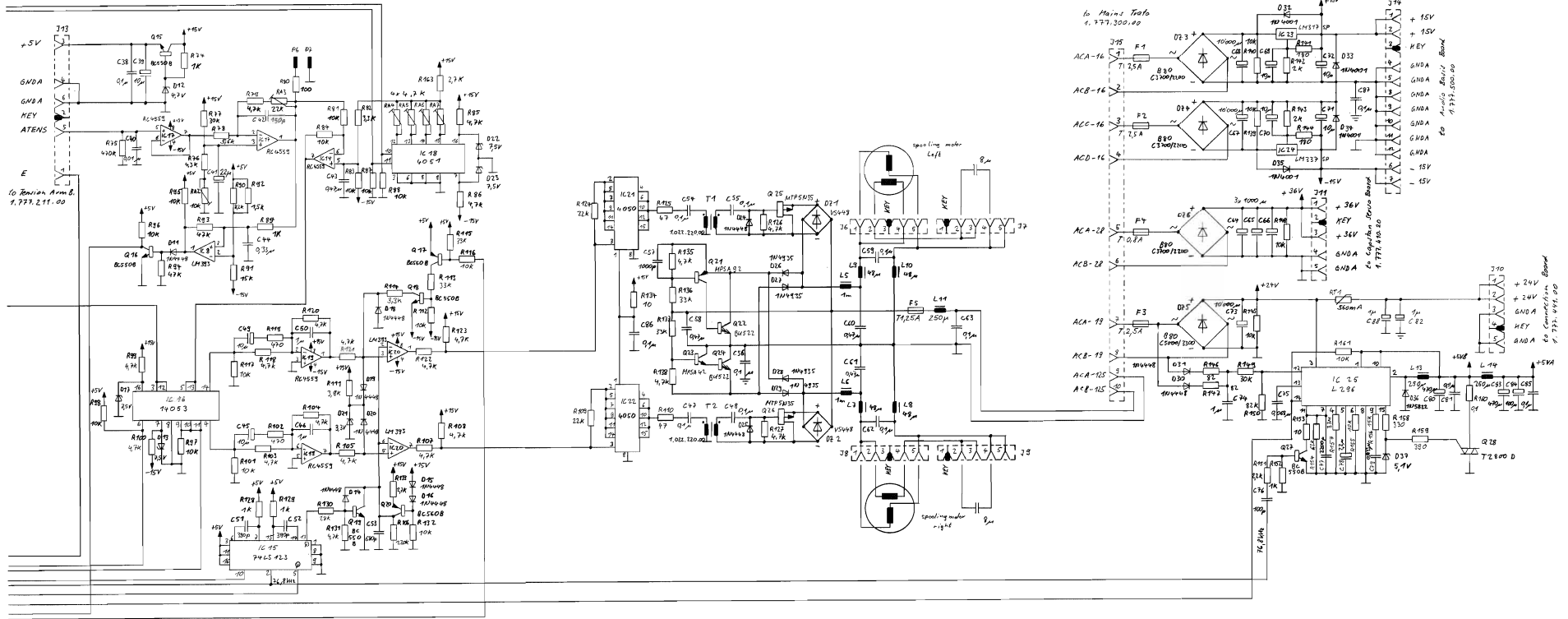
CONTROL BOARD 1.777.400.22



02212.87	C270	PAGE 3 OF 6
STUDER	CONTROL BOARD	"ESE" SC 1.777.400.22



CONTROL BOARD 1.777.400.22





CONTROL BOARD 1.777.400.22

Table with 12 columns: INO., POS.ND., PART NO., VALUE, SPECIFICATIONS / EQUIVALENT, MANUF., INO., POS.ND., PART NO., VALUE, SPECIFICATIONS / EQUIVALENT, MANUF., INO., POS.ND., PART NO., VALUE, SPECIFICATIONS / EQUIVALENT, MANUF., INO., POS.ND., PART NO., VALUE, SPECIFICATIONS / EQUIVALENT, MANUF.

S T U D E R (00) 87/12/22 CONTROL BOARD A 1.777.400.22 PAGE 1 S T U D E R (00) 87/12/22 CONTROL BOARD A 1.777.400.22 PAGE 4 S T U D E R (00) 87/12/22 CONTROL BOARD A 1.777.400.22 PAGE 7 S T U D E R (00) 87/12/22 CONTROL BOARD A 1.777.400.22 PAGE 10

Table with 12 columns: INO., POS.ND., PART NO., VALUE, SPECIFICATIONS / EQUIVALENT, MANUF., INO., POS.ND., PART NO., VALUE, SPECIFICATIONS / EQUIVALENT, MANUF., INO., POS.ND., PART NO., VALUE, SPECIFICATIONS / EQUIVALENT, MANUF., INO., POS.ND., PART NO., VALUE, SPECIFICATIONS / EQUIVALENT, MANUF.

S T U D E R (00) 87/12/22 CONTROL BOARD A 1.777.400.22 PAGE 2 S T U D E R (00) 87/12/22 CONTROL BOARD A 1.777.400.22 PAGE 5 S T U D E R (00) 87/12/22 CONTROL BOARD A 1.777.400.22 PAGE 8 S T U D E R (00) 87/12/22 CONTROL BOARD A 1.777.400.22 PAGE 11

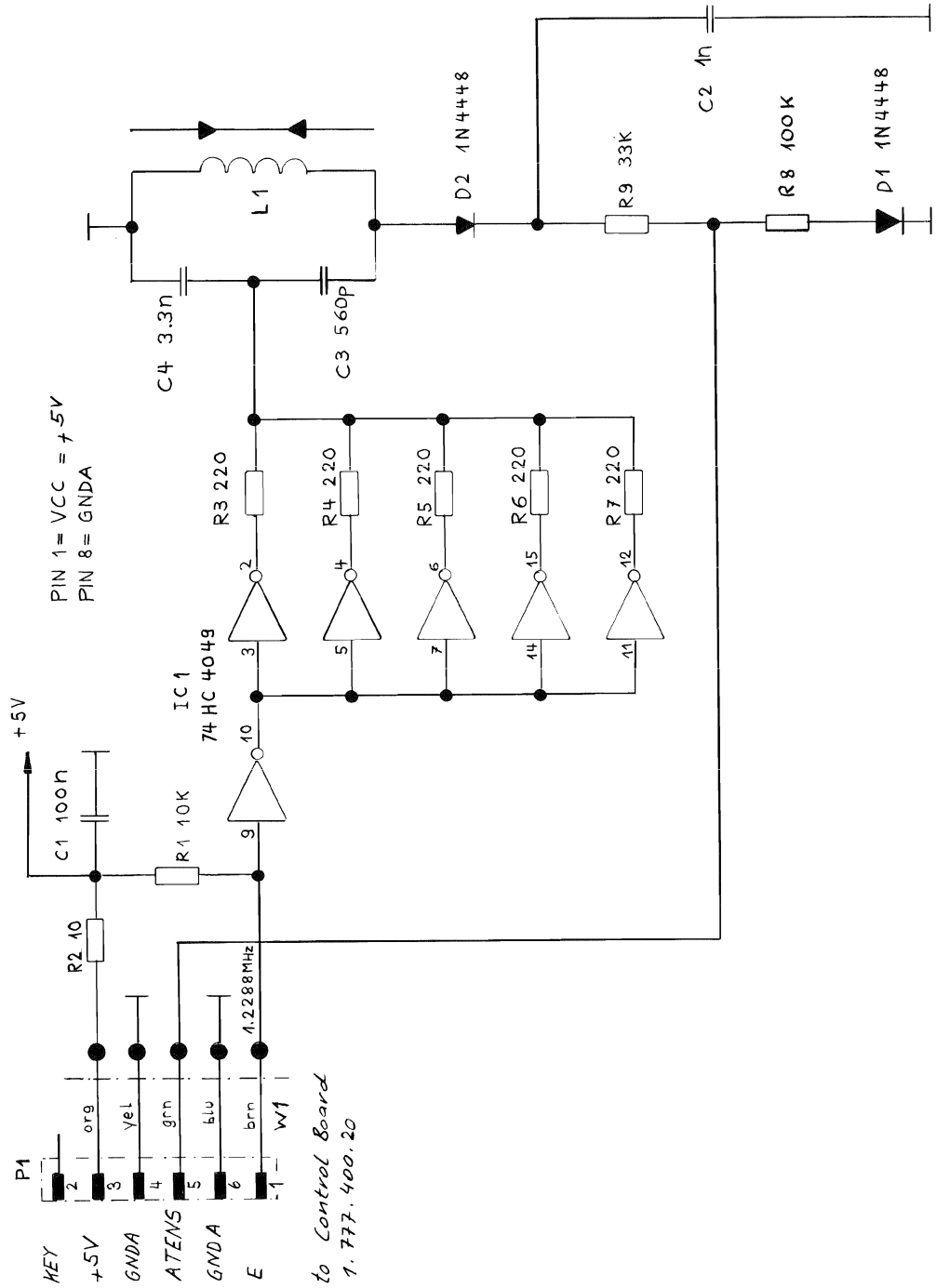
Table with 12 columns: INO., POS.ND., PART NO., VALUE, SPECIFICATIONS / EQUIVALENT, MANUF., INO., POS.ND., PART NO., VALUE, SPECIFICATIONS / EQUIVALENT, MANUF., INO., POS.ND., PART NO., VALUE, SPECIFICATIONS / EQUIVALENT, MANUF., INO., POS.ND., PART NO., VALUE, SPECIFICATIONS / EQUIVALENT, MANUF.

S T U D E R (00) 87/12/22 CONTROL BOARD A 1.777.400.22 PAGE 3 S T U D E R (00) 87/12/22 CONTROL BOARD A 1.777.400.22 PAGE 6 S T U D E R (00) 87/12/22 CONTROL BOARD A 1.777.400.22 PAGE 9 S T U D E R (00) 87/12/22 CONTROL BOARD A 1.777.400.22 PAGE 12

MANUFACTURER: AMP Incorporated, ADI-Analog Devices Inc., Bqf/Bqf, Ry-Burgas, Danfoss, Efc, Hirschel, GIGERON Instruments, ITC-International Rectifier, ITC-Intermetallic, LONQUATE, Mec-Motorola, MPS-Micro Power Systems, SCS-Stecker, TFC-Teledyne Corporation of America, TSC-Transducers, PPH-Philips, SAG-Quarz Age, Sanyo, SCS-Stecker, TI-Texas Instruments, Vi-Vaimatic.



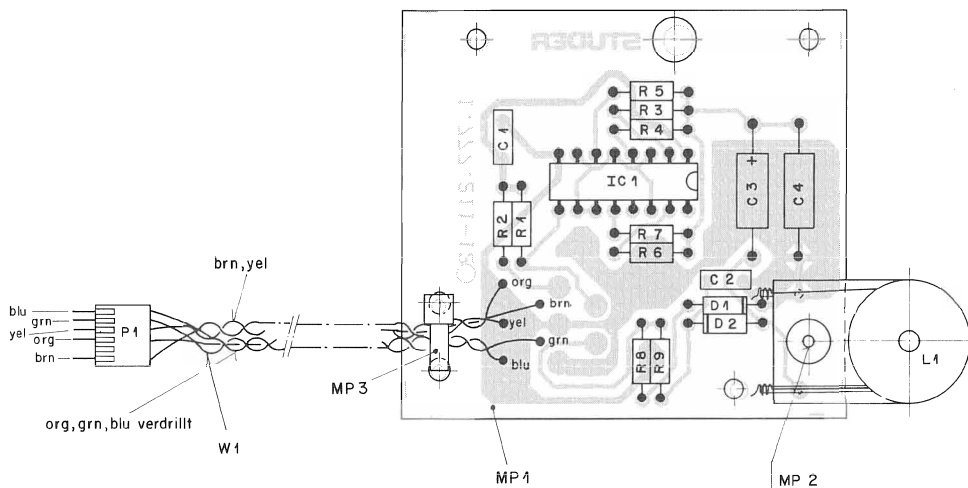
TENSION ARM BOARD 1.777.211.00



① 8.1.87	① 12.8.87 J. M. Egl.	○ ..	○ ..	○ ..
C270			PAGE 1 OF 1	
STUDER	TENSION ARM BOARD	"ESE"	SC	1.777.211.00



TENSION ARM BOARD 1.777.211.00

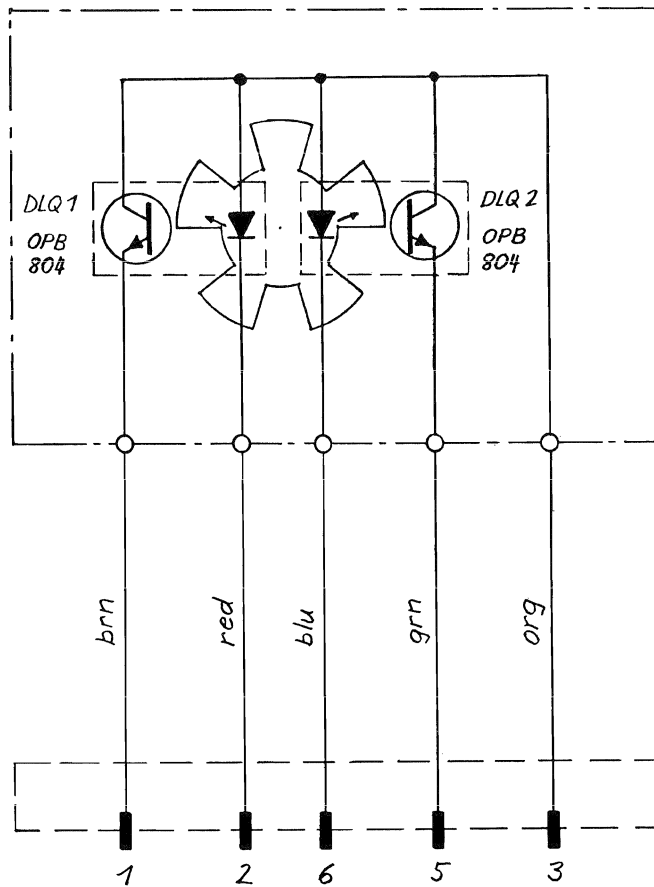


IND.	POS.NO.	PART NO.	VALUE	SPECIFICATIONS / EQUIVALENT	MANUF.
		C..0001	59.06.0104	+1 U	10%, 63V, PETP
		C..0002	59.06.0102	1000 P	10%, 63V, PETP
(00)		C..0003	59.12.7471	470 P	1%, 63V, PS
(01)		C..0004	59.12.7561	560 P	1%, 63V, PS
		C..0004	59.12.7332	3300 P	1%, 63V, PS
		D..0001	50.04.0125	1N 4448, SI	ITT+Phy.Ses+TI
		D..0002	50.04.0125	1N 4448, SI	ITT+Phy.Ses+TI
		IC.0001	50.17.4049	MC 74HC 4049N	TI, Mot.+NS
		L..0001	1.777.212.00	COIL	St
(00)		MP.0001	1.777.211.11	TENSION ARM PCB	St
(01)		MP.0001	1.777.211.11	TENSION ARM PCB - (1)	St
(02)		MP.0001	1.777.211.12	TENSION ARM PCB	St
		MP.0002	28.21.2410	TUBULAR RIVET, DIN	St
		MP.0003	35.03.0109	CLAMPING BELT	Burndy+Panduit
		P..0001	54.01.0230	6 POL.	CASING CIS
		R..0001	57.11.4103	10 K	2%, 0207, MF
		R..0002	57.11.4100	10	2%, 0207, MF
		R..0003	57.11.4221	220	2%, 0207, MF
		R..0004	57.11.4221	220	2%, 0207, MF
		R..0005	57.11.4221	220	2%, 0207, MF
		R..0006	57.11.4221	220	2%, 0207, MF
		R..0007	57.11.4221	220	2%, 0207, MF
		R..0008	57.11.4104	100 K	2%, 0207, MF
		R..0009	57.11.4333	33 K	2%, 0207, MF
		W..0001	1.777.211.93	WL-TENSION ARM BOARD	St

IND.	POS.NO.	PART NO.	VALUE	SPECIFICATIONS / EQUIVALENT	MANUF.
(01)				12.08.87 Value adjust	
(02)				15.11.87 PCB Revise	
MANUFACTURER: Mot=Motorola, NS=National Semiconductors, Ph=Philips					
ST=Studer, TI=Texas Instruments, AMP=AMP Incorporated					
ITT=Intermetall, Ses=Sesocsem					

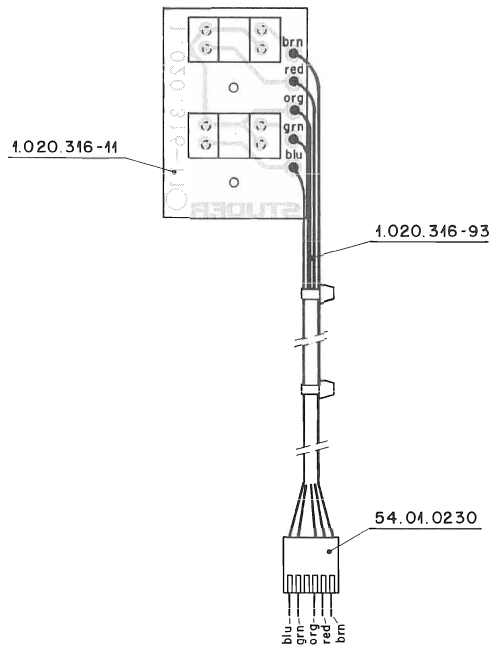
ORIG 86/09/19 (01) 87/09/12 (02) 87/11/15

TAPE MOVE SENSOR PCB 1.020.316.00



① 10.7.85	Rec	○ ..	○ ..	○ ..	○ ..
		PR 99 MK II			PAGE 1 OF 1
STUDER		TAPE MOVE SENSOR PCB			1.020.316-00

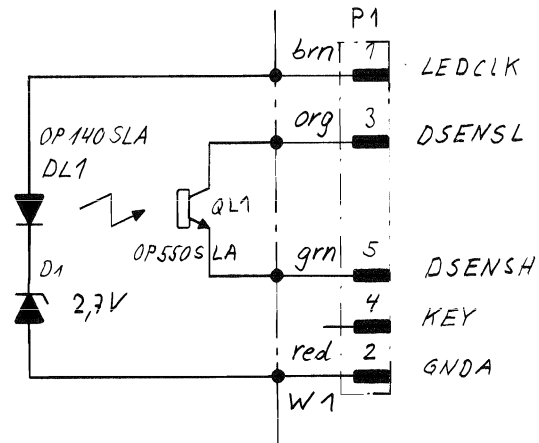
TAPE MOVE SENSOR PCB 1.020.316.00



IND.	POS.NO.	PART NO.	VALUE	SPECIFICATIONS / EQUIVALENT	MANUF.
	DLQ...1	50.04.2128	DPB 804	Slotted Optical Switch	Op
	DLQ...2	50.04.2128	GPB 804	Slotted Optical Switch	Op

MANUFACTURER: Op = Optron
 ORIG 85/07/10
 S T U D E R (00) 85/07/10 Rec TAPE MOVE SENSOR PCB 1.020.316.00 PAGE 1

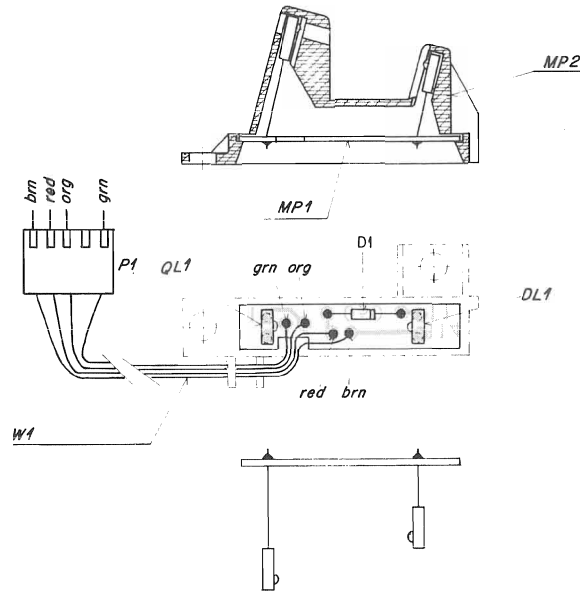
TAPE SENSOR BOARD 1.050.312.00



*to Control Board
1.777.400.20*

① 3.2.87 J.M.F.	○ ..	○ ..	○ ..	○ ..
C270				PAGE 1 OF 1
STUDER	TAPE SENSOR BOARD		SC	1.050.312.00

TAPE SENSOR BOARD 1.050.312.00



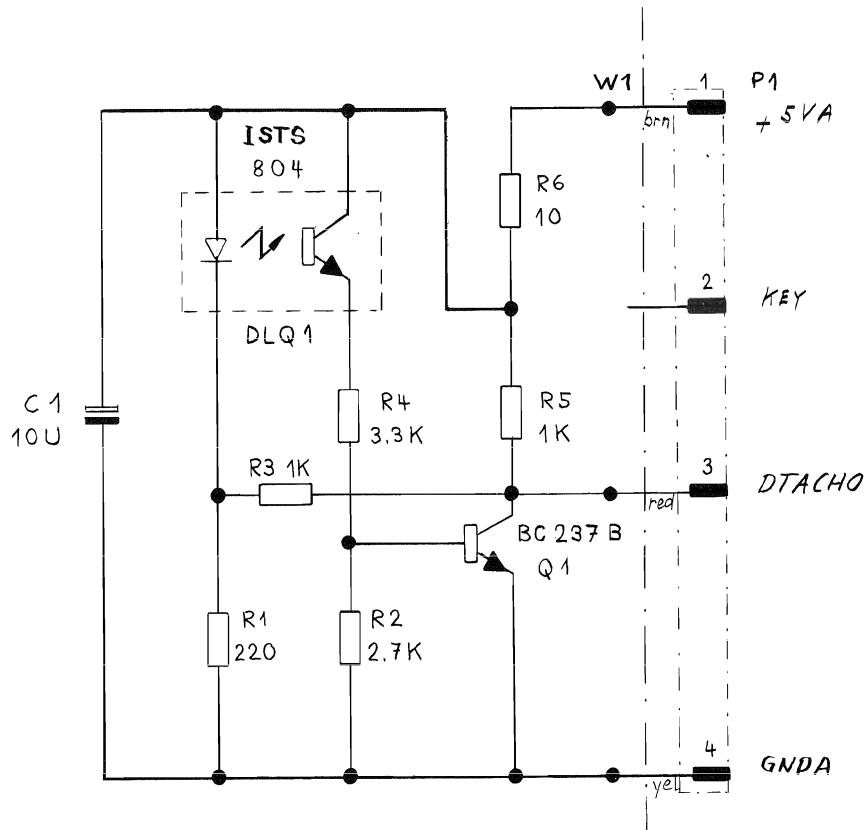
IND.	POS-NG.	PART NO.	VALUE	SPECIFICATIONS / EQUIVALENT	MANUF.
D.	0001	50.04.1106	2.7 V	2,5 2,4WxZ	Ph, Mot, ITT
DL	0001	50.04.2126		OP 140 SLA	OP
MP	0001	1.050.312.11		TAPE SENSOR PCB	St
MP	0002	1.050.312.01		CASE	St
P.	0001	50.01.0264	5PDL.	CASING	AMP
QL	0001	50.04.2127		OP 550 SLA	OP
W.	0001	1.050.312.93		WL-TAPE SENSOR	St

MANUFACTURER: Mot=Motorola, OP=Optron, ITT=Intermetall, Ph=Phillips
St=Studer.

ORIG 86/09/19

S T U D E R (00) 86/09/19 TAPE SENSOR BOARD 1.050.312.00 PAGE 1

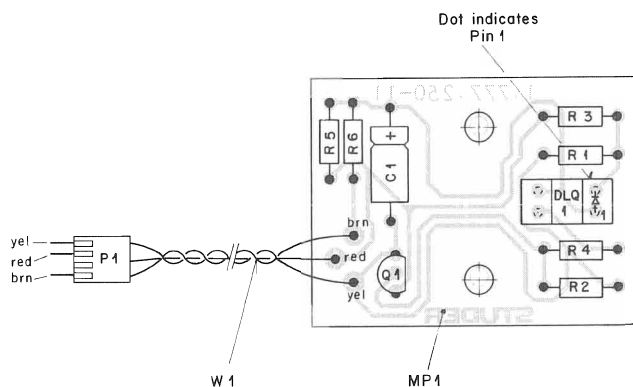
TACHO BOARD 1.777.250.00



*to Control Board
1.777.400-20*

① 8.1.87	○ ..	○ ..	○ ..	○ ..
	C 270			PAGE 1 OF 1
STUDER	TACHO BOARD	SC	1.777.250.00	

TACHO BOARD 1.777.250.00



IND.	POS. NO.	PART NO.	VALUE	SPECIFICATIONS / EQUIVALENT	MANUF.
(00)	C..0001	59.22.6100	10 U	-20%, 40V, EL	
(01)	C..0001	59.25.4100	10 U	-20%, 25V, EL	
(00)	DL0001	50.04.2128		15TS 804	Op+Gl+Isocom
(01)	DL0001	50.04.3001		15TS 804	Op+Gl+Isocom
	MP.0001	1.777.250.11		TACHO-PCB	St
	P..0001	56.01.0280	4 POL.	CASING CIS	AMP
	Q..0001	50.03.0436		BC 237 B +A	ITT, Ti, PhvMot
	R..0001	57.11.4221	220	2%, 0207, MF	
	R..0002	57.11.4272	2.7 K	2%, 0207, MF	
	R..0003	57.11.4102	1 K	2%, 0207, MF	
	R..0004	57.11.4332	3.3 K	2%, 0207, MF	
	R..0005	57.11.4102	1 K	2%, 0207, MF	
	R..0006	57.11.4100	10	2%, 0207, MF	
	W..0001	1.777.250.93		WL-TACHO BOARD	St

(01) 12.08.67 PARTNUMBER CHANGE

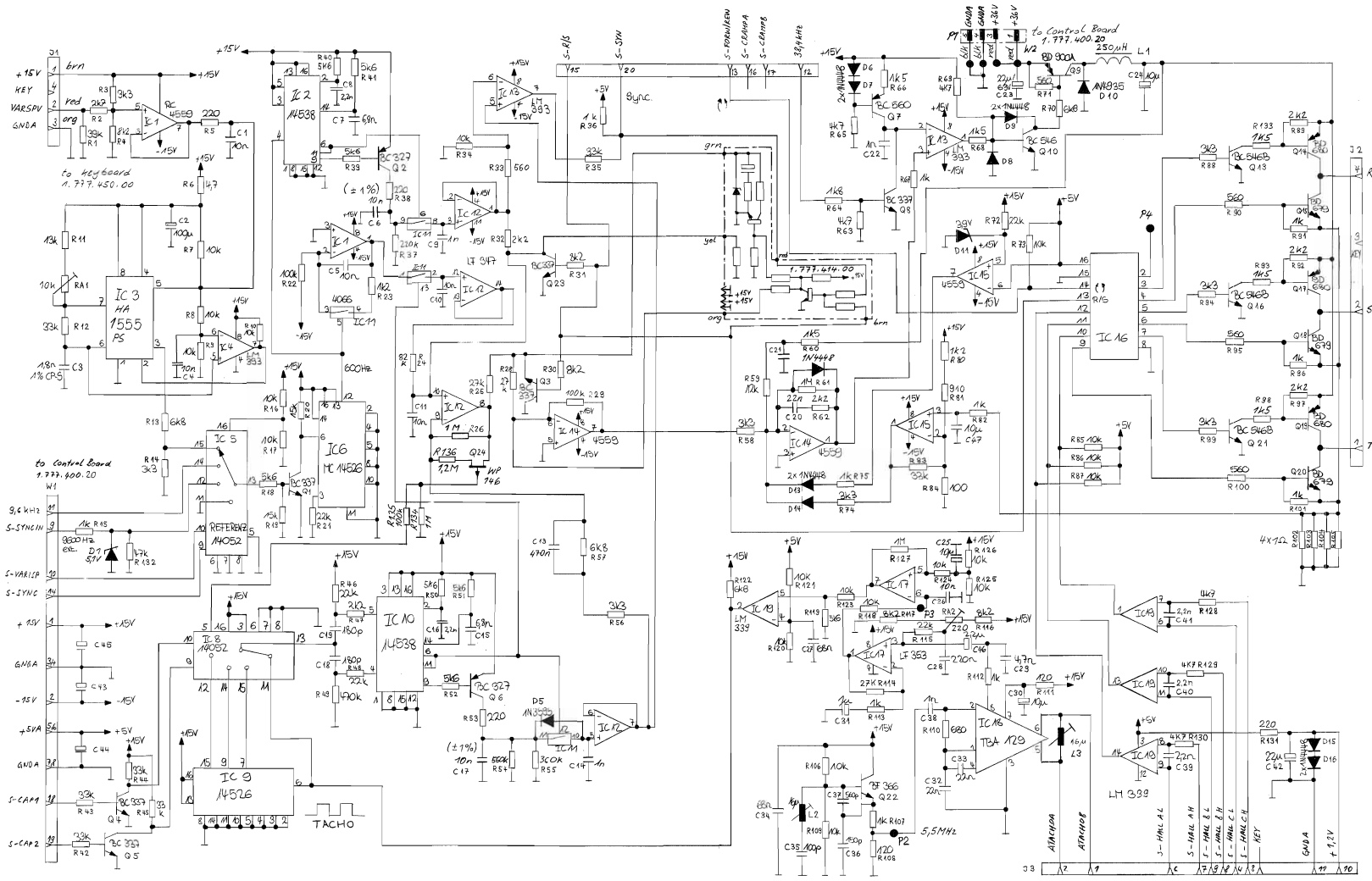
MANUFACTURER: Mot=Motorola, ITT=Intermetall, Ph=Philips, Op=Optron, St=Studer, Ti=Texas Instruments, Gl=General Instruments, AMP=AMP Incorporated.

ORIG 86/09/19 (01) 87/08/12

S T U D E R (01) 87/08/12 TACHO BOARD

1.777.250.00 PAGE 1

CAPSTAN SERVO BOARD 1.777.410.21





IND.	POS.ND.	PART ND.	VALUE	SPECIFICATIONS / EQUIVALENT	MANUF.
C..0001	59.06.5103	+01 U	5%	63V + PETF	
C..0002	59.22.5101	100 U	-20%	25V + EL	
C..0003	59.12.1482	1800 P	1%	63V + PETF	
C..0004	59.06.5103	+01 U	5%	63V + PETF	
C..0005	59.06.5103	+01 U	5%	63V + PETF	
C..0006	59.06.5103	+01 U	5%	63V + PETF	
C..0007	59.06.5103	+01 U	5%	63V + PETF	
C..0008	59.06.5222	2200 P	5%	63V + PETF	
C..0009	59.06.5102	1000 P	5%	63V + PETF	
C..0010	59.06.5103	+01 U	5%	63V + PETF	
C..0011	59.06.5103	+01 U	5%	63V + PETF	
C..0012	59.06.5103	+01 U	5%	63V + PETF	
C..0013	59.06.5474	+07 U	5%	63V + PETF	
C..0014	59.06.0302	1000 P	10%	63V + PETF	
C..0015	59.06.0602	2800 P	5%	63V + PETF	
C..0016	59.06.5222	2200 P	5%	63V + PETF	
C..0017	59.06.1101	+01 U	1%	63V + PETF	
C..0018	59.06.1101	180 P	5%	N750 + CER	
C..0019	59.34.1101	180 P	5%	N750 + CER	
C..0020	59.06.5223	+02 U	5%	63V + PETF	
C..0021	59.06.5102	1000 P	5%	63V + PETF	
C..0022	59.22.8720	22 U	-10%	63V + EL	
C..0023	59.22.8720	10 U	-10%	63V + EL	
C..0024	59.22.8720	10 U	-10%	63V + EL	
C..0025	59.22.8720	10 U	-10%	63V + EL	
C..0026	59.06.5103	+01 U	5%	63V + PETF	
C..0027	59.06.5103	+01 U	5%	63V + PETF	
C..0028	59.06.5224	2200 P	5%	63V + PETF	
C..0029	59.06.5472	4700 P	5%	63V + PETF	
C..0030	59.06.5224	2200 P	5%	63V + PETF	
C..0031	59.22.8720	1 U	-20%	63V + EL	
C..0032	59.06.0603	+02 U	5%	63V + PETF	
C..0033	59.06.5223	+02 U	5%	63V + PETF	
C..0034	59.06.0603	+01 U	5%	63V + PETF	
C..0035	59.34.4101	100 P	5%	N750 + CER	
C..0036	59.34.4101	150 P	5%	N750 + CER	
C..0037	59.34.4101	560 P	5%	N1500 + CER	

IND.	POS.ND.	PART ND.	VALUE	SPECIFICATIONS / EQUIVALENT	MANUF.
C..0038	59.06.5102	1000 P	5%	63V + PETF	
C..0039	59.06.0222	2.2 nF	10%	63V + PETF	
C..0040	59.06.0222	2.2 nF	10%	63V + PETF	
C..0041	59.06.0222	2.2 nF	10%	63V + PETF	
C..0042	59.22.6220	22 U	5%	40V + EL	
C..0043	59.22.6220	22 U	5%	40V + EL	
C..0044	59.22.6220	22 U	5%	40V + EL	
C..0045	59.22.6220	22 U	5%	40V + EL	
C..0046	59.22.6220	22 U	5%	40V + EL	
C..0047	59.22.6220	22 U	5%	40V + EL	
D..0001	50.04.1112	5.1 V	5%	0.40W, Z	ITT,Not
D..0002	50.04.1112	5.1 V	5%	0.40W, Z	ITT,Not
D..0003	50.04.1112	5.1 V	5%	0.40W, Z	ITT,Not
D..0004	50.04.1112	5.1 V	5%	0.40W, Z	ITT,Not
D..0005	50.04.1112	5.1 V	5%	0.40W, Z	ITT,Not
D..0006	50.04.1112	5.1 V	5%	0.40W, Z	ITT,Not
D..0007	50.04.1112	5.1 V	5%	0.40W, Z	ITT,Not
D..0008	50.04.1112	5.1 V	5%	0.40W, Z	ITT,Not
D..0009	50.04.1112	5.1 V	5%	0.40W, Z	ITT,Not
D..0010	50.04.1112	5.1 V	5%	0.40W, Z	ITT,Not
D..0011	50.04.1112	5.1 V	5%	0.40W, Z	ITT,Not
D..0012	50.04.1112	5.1 V	5%	0.40W, Z	ITT,Not
D..0013	50.04.1112	5.1 V	5%	0.40W, Z	ITT,Not
D..0014	50.04.1112	5.1 V	5%	0.40W, Z	ITT,Not
D..0015	50.04.1112	5.1 V	5%	0.40W, Z	ITT,Not
D..0016	50.04.1112	5.1 V	5%	0.40W, Z	ITT,Not
IC..0001	50.09.0107	IC	RC 4559 NB, UPC 4559	RoNEC	
IC..0002	50.07.1538	IC	MC14 538 BCP, HEF 4538 BPA	RoTph	
IC..0003	50.05.0283	IC	HA 1555 PS	SigMot,Ha	
IC..0004	50.05.0199	IC	LM 355 P	TI,MS	
IC..0005	50.07.0024	IC	MC 14052 BCP, 4052 BCP	MoT,MS	
IC..0006	50.07.0024	IC	MC 14052 BCP, 4052 BCP	MoT,MS	
IC..0007	50.07.0024	IC	MC 14052 BCP, 4052 BCP	MoT,MS	
IC..0008	50.07.0024	IC	MC 14052 BCP, 4052 BCP	MoT,MS	
IC..0009	50.07.0024	IC	MC 14052 BCP, 4052 BCP	MoT,MS	
IC..0010	50.07.1538	IC	MC14 538 BCP, HEF 4538 BPA	MoT,ph	

IND.	POS.ND.	PART ND.	VALUE	SPECIFICATIONS / EQUIVALENT	MANUF.
IC..0011	50.07.0066	IC	4066 BCP + MC14066 BCP	RoNEC	Ph,MoT
IC..0012	50.09.0104	IC	LF 347 N	TI,MS	NS
IC..0013	50.09.0283	IC	LM 305 + TOR 0193 UP	RoNEC	TI,MS
IC..0014	50.09.0107	IC	RC 4559 NB, UPC 4559	RoNEC	
IC..0015	50.09.0107	IC	RC 4559 NB, UPC 4559	RoNEC	
IC..0016	1.777.411.20	IC	CAPSTAN COMPUTATOR LOGIC	ST	
IC..0017	50.11.0104	IC	TL 072 CF + LF 353 N	TI,MS	
IC..0018	50.11.0137	IC	TBA 129	RoNEC	NS,Fc,MoT
IC..0019	50.11.0104	IC	LM 335 N	TI,MS	
J..0001	54.01.0241	4 POL.	STRIP CIS	AMP	
J..0002	54.01.0241	4 POL.	STRIP CIS	AMP	
J..0003	54.01.0241	11 POL.	STRIP CIS	AMP	
L..0001	62.05.0025	250 MH	Z A + FILTER	Tekin	
L..0002	1.022.222.00	16 MH	HF-BRASSSEL	ST	
L..0003	1.022.222.00	16 MH	HF-BRASSSEL	ST	
F..0001	54.01.0254	5 POL.	CASING CIS	ST	
F..0002	54.02.0254	5 POL.	TEST POINT	ST	
F..0003	54.02.0254	5 POL.	TEST POINT	ST	
F..0004	54.02.0254	5 POL.	TEST POINT	ST	
MP..0001	1.777.410.11	MP	CAPSTAN-SERVO PCB	ST	
MP..0002	1.777.410.20	MP	PAST START BOARD	ST	
U..0001	50.03.0340	UC	BC 337-25	ITT,Ph	
U..0002	50.03.0351	UC	BC 327-25	518,ITT	
U..0003	50.03.0340	UC	BC 337-25		
U..0004	50.03.0340	UC	BC 337-25		
U..0005	50.03.0340	UC	BC 337-25		
U..0006	50.03.0351	UC	BC 327-25		
U..0007	50.03.0496	UC	BC 337-25	RoNEC	
U..0008	50.03.0496	UC	BC 337-25	RoNEC	
U..0009	50.03.0513	UC	BD 900 A BC 940 B	RoNEC	NS,MS
U..0010	50.03.0513	UC	BC 940 B	RoNEC	ITT,Ph,MoT,MS
U..0011	50.03.0513	UC	not connected		

CAPSTAN SERVO BOARD 1.777.410.21

IND.	POS-NO.	PART NO.	VALUE	SPECIFICATIONS / EQUIVALENT	MANUF.	IND.	POS-NO.	PART NO.	VALUE	SPECIFICATIONS / EQUIVALENT	MANUF.		
Q..0012				not connected		R..0098	57.11.4152	1.5 K	2%	0207	MF		
Q..0013	50.03.0491			BC 546 B		R..0099	57.11.4332	3.3 K	2%	0207	MF		
Q..0014	50.03.0799			BD 680	Ph	R..0100	57.11.4561	560		2%	0207	MF	
Q..0015	50.03.0749			BD 679	Ph	R..0101	57.11.4102	1 K		2%	0207	MF	
Q..0016	50.03.0491			BC 546 B		R..0102	57.11.4109	1		2%	0207	MF	
Q..0017	50.03.0799			BD 680	Ph	R..0103	57.11.4109	1		2%	0207	MF	
Q..0018	50.03.0749			BD 679	Ph	R..0104	57.11.4109	1		2%	0207	MF	
Q..0019	50.03.0799			BD 680	Ph	R..0105	57.11.4109	1		2%	0207	MF	
Q..0020	50.03.0749			BD 679	Ph	R..0106	57.11.4103	10 K		2%	0207	MF	
Q..0021	50.03.0491			BC 546 B		R..0107	57.11.4102	1 K		2%	0207	MF	
Q..0022	50.03.0514			BF 366	Mot	R..0108	57.11.4121	120		2%	0207	MF	
Q..0023	50.03.0340			BC 37-25		R..0109	57.11.4103	10 K		2%	0207	MF	
Q..0024	50.03.0329			MF 146-TR	Si	R..0110	57.11.4681	680		2%	0207	MF	
R..0001	57.11.4393	39 K		2%	0207	MF	R..0111	57.11.4121	120		2%	0207	MF
R..0002	57.11.4272	2.7 K		2%	0207	MF	R..0112	57.11.4102	1 K		2%	0207	MF
R..0003	57.11.4332	3.3 K		2%	0207	MF	R..0113	57.11.4102	1 K		2%	0207	MF
R..0004	57.11.4822	8.2 K		2%	0207	MF	R..0114	57.11.4273	27 K		2%	0207	MF
R..0005	57.11.4221	220		2%	0207	MF	R..0115	57.11.4223	22 K		2%	0207	MF
R..0006	57.11.4479	4.7 K		2%	0207	MF	R..0116	57.11.4822	8.2 K		2%	0207	MF
R..0007	57.11.4103	10 K		2%	0207	MF	R..0117	57.11.4822	8.2 K		2%	0207	MF
R..0008	57.11.4103	10 K		2%	0207	MF	R..0118	57.11.4103	10 K		2%	0207	MF
R..0009	57.11.4103	10 K		2%	0207	MF	R..0119	57.11.4562	5.6 K		2%	0207	MF
R..0010	57.11.4103	10 K		2%	0207	MF	R..0120	57.11.4103	10 K		2%	0207	MF
R..0011	57.11.3133	13 K		1%	0207	MF	R..0121	57.11.4103	10 K		2%	0207	MF
R..0012	57.11.4333	33 K		2%	0207	MF	R..0122	57.11.4682	6.8 K		2%	0207	MF
R..0013	57.11.4682	6.8 K		2%	0207	MF	R..0123	57.11.4103	10 K		2%	0207	MF
R..0014	57.11.4332	3.3 K		2%	0207	MF	R..0124	57.11.4103	10 K		2%	0207	MF
R..0015	57.11.4102	1 K		2%	0207	MF	R..0125	57.11.4103	10 K		2%	0207	MF
R..0016	57.11.4103	10 K		2%	0207	MF	R..0126	57.11.4103	10 K		2%	0207	MF
R..0017	57.11.4103	10 K		2%	0207	MF	R..0127	57.11.4105	1 M		2%	0207	MF
R..0018	57.11.4562	5.6 K		2%	0207	MF	R..0128	57.11.4472	4.7 K		2%	0207	MF
R..0019	57.11.4153	15 K		2%	0207	MF	R..0129	57.11.4472	4.7 K		2%	0207	MF
R..0020	57.11.4153	15 K		2%	0207	MF	R..0130	57.11.4472	4.7 K		2%	0207	MF
R..0021	57.11.4223	22 K		2%	0207	MF	R..0131	57.11.4221	220		2%	0207	MF
R..0022	57.11.4104	100 K		2%	0207	MF	R..0132	57.11.4473	47 K		2%	0207	MF
R..0023	57.11.4122	1.2 K		2%	0207	MF	R..0133	57.11.4152	1.5 K		2%	0207	MF
						R..0134	57.11.4105	1 M		2%	0207	MF	

S T U D E R (00) 88/02/15 CAPSTAN-SERVO-BOARD A 1.777.410.21 PAGE 4 S T U D E R (00) 88/02/15 CAPSTAN-SERVO-BOARD A 1.777.410.21 PAGE 7

IND.	POS-NO.	PART NO.	VALUE	SPECIFICATIONS / EQUIVALENT	MANUF.	IND.	POS-NO.	PART NO.	VALUE	SPECIFICATIONS / EQUIVALENT	MANUF.		
R..0024	57.11.4823	82 K		2%	0207	MF	R..0135	57.11.4104	100 K		2%	0207	MF
R..0025	57.11.4273	27 K		2%	0207	MF	R..0136	57.11.5125	1.2 M		5%	0207	MF
R..0026	57.11.4105	1 M		2%	0207	MF	RA.0001	58.02.5103	10 K	20%, ±1 W	PCSC	PhDrAloric	
R..0027				not connected		RA.0002	58.02.5221	220	20%, ±1 W	PCSC	PhDrAloric		
R..0028	57.11.4273	27 K		2%	0207	MF	W..0001	1.023.112.10	20 POL.	FLAT-CABLE	CAPSTAN SERVO	St	
R..0029	57.11.4104	100 K		2%	0207	MF	W..0002	1.777.410.93		WL-CAPSTAN SERVO (1)		St	
R..0030	57.11.4822	8.2 K		2%	0207	MF							
R..0031	57.11.4822	8.2 K		2%	0207	MF							
R..0032	57.11.4222	2.2 K		2%	0207	MF							
R..0033	57.11.4561	560		2%	0207	MF							
R..0034	57.11.4103	10 K		2%	0207	MF							
R..0035	57.11.4332	3.3 K		2%	0207	MF							
R..0036	57.11.4102	1 K		2%	0207	MF							
R..0037	57.11.3224	220 K		1%	0207	MF							
R..0038	57.11.4221	220		2%	0207	MF							
R..0039	57.11.4562	5.6 K		2%	0207	MF							
R..0040	57.11.4562	5.6 K		2%	0207	MF							
R..0041	57.11.4562	5.6 K		2%	0207	MF							
R..0042	57.11.4333	33 K		2%	0207	MF							
R..0043	57.11.4333	33 K		2%	0207	MF							
R..0044	57.11.4333	33 K		2%	0207	MF							
R..0045	57.11.4333	33 K		2%	0207	MF							
R..0046	57.11.4223	22 K		2%	0207	MF							
R..0047	57.11.4222	2.2 K		2%	0207	MF							
R..0048	57.11.4223	22 K		2%	0207	MF							
R..0049	57.11.4474	470 K		2%	0207	MF							
R..0050	57.11.4562	5.6 K		2%	0207	MF							
R..0051	57.11.4562	5.6 K		2%	0207	MF							
R..0052	57.11.4562	5.6 K		2%	0207	MF							
R..0053	57.11.4221	220		2%	0207	MF							
R..0054	57.11.3564	560 K		1%	0207	MF							
R..0055	57.11.3364	360 K		1%	0207	MF							
R..0056	57.11.4332	3.3 K		2%	0207	MF							
R..0057	57.11.4682	6.8 K		2%	0207	MF							
R..0058	57.11.4332	3.3 K		2%	0207	MF							
R..0059	57.11.4123	12 K		2%	0207	MF							
R..0060	57.11.4152	1.5 K		2%	0207	MF							

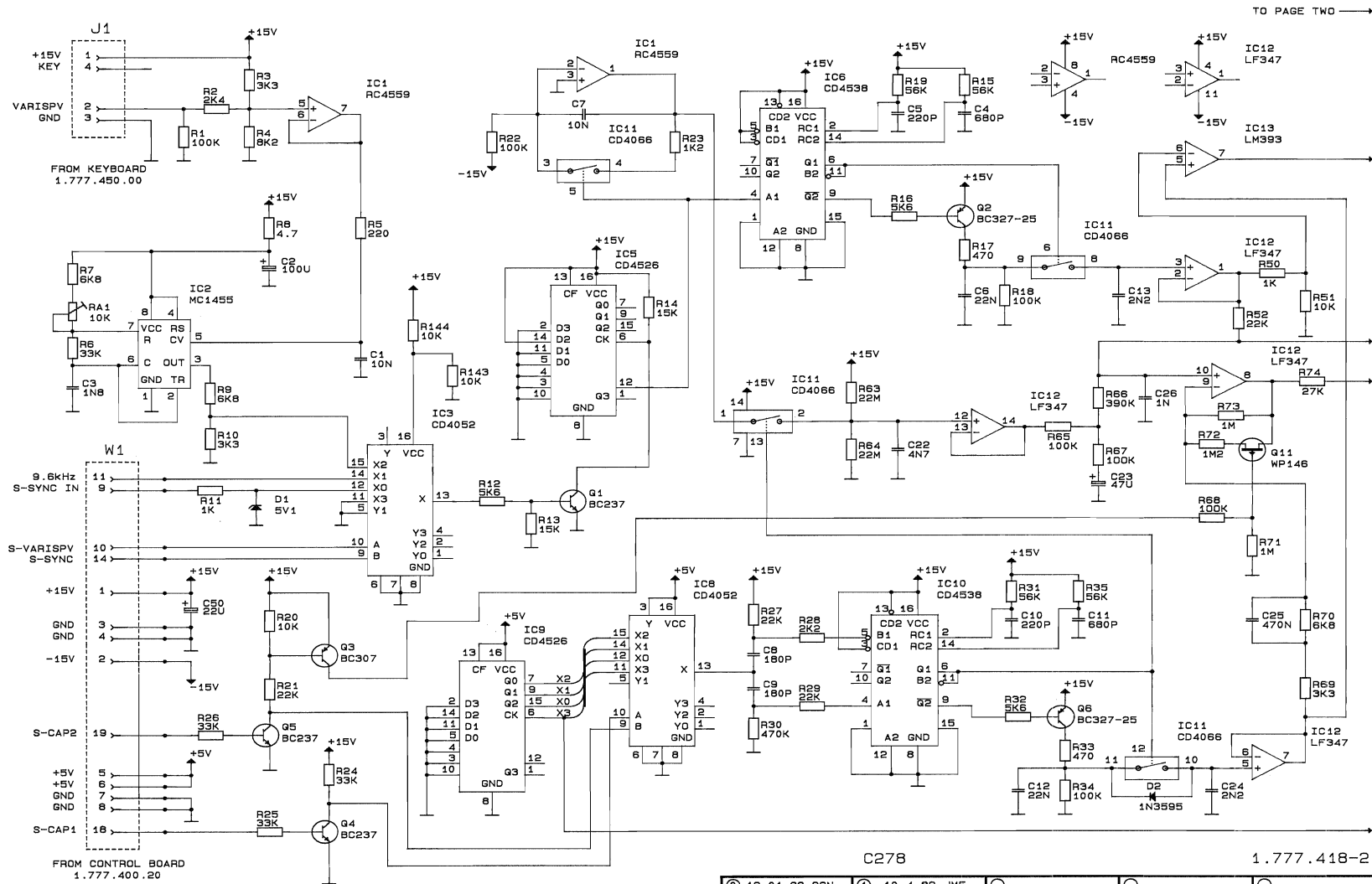
MANUFACTURER: Mot=Motorola, NS=National Semiconductors, Ph=Philips
 Sig=Signetics, St=Stuoger, TI=Texas Instruments, Si=Siemens
 SCS=SGS/Ates, RA=Raytheon, REC=Reppon Electric Corp., Fc=Fairchild
 Ses=Sesocsem, GI=General Instruments, IT=Intermetally, Tho=Thomson
 AMP=AMP Incorporated, Si=Siliconix.

ORIG 88/02/15

S T U D E R (00) 88/02/15 CAPSTAN-SERVO-BOARD A 1.777.410.21 PAGE 5 S T U D E R (00) 88/02/15 CAPSTAN-SERVO-BOARD A 1.777.410.21 PAGE 8

IND.	POS-NO.	PART NO.	VALUE	SPECIFICATIONS / EQUIVALENT	MANUF.	
R..0061	57.11.4105	1 M		2%	0207	MF
R..0062	57.11.4222	2.2 K		2%	0207	MF
R..0063	57.11.4472	4.7 K		2%	0207	MF
R..0064	57.11.4182	1.8 K		2%	0207	MF
R..0065	57.11.4472	4.7 K		2%	0207	MF
R..0066	57.11.4152	1.5 K		2%	0207	MF
R..0067	57.11.4102	1 K		2%	0207	MF
R..0068	57.11.4152	1.5 K		2%	0207	MF
R..0069	57.11.4472	4.7 K		2%	0207	MF
R..0070	57.11.4682	6.8 K		2%	0207	MF
R..0071	57.11.4561	560		2%	0207	MF
R..0072	57.11.4223	22 K		2%	0207	MF
R..0073	57.11.4103	10 K		2%	0207	MF
R..0074	57.11.4332	3.3 K		2%	0207	MF
R..0075	57.11.4102	1 K		2%	0207	MF
R..0076				not connected		
R..0077				not connected		
R..0078				not connected		
R..0079				not connected		
R..0080	57.11.4122	1.2 K		2%	0207	MF
R..0081	57.11.3911	910		1%	0207	MF
R..0082	57.11.4102	1 K		2%	0207	MF
R..0083	57.11.4333	33 K		2%	0207	MF
R..0084	57.11.4101	100		2%	0207	MF
R..0085	57.11.4103	10 K		2%	0207	MF
R..0086	57.11.4103	10 K		2%	0207	MF
R..0087	57.11.4103	10 K		2%	0207	MF
R..0088	57.11.4332	3.3 K		2%	0207	MF
R..0089	57.11.4222	2.2 K		2%	0207	MF
R..0090	57.11.4561	560		2%	0207	MF
R..0091	57.11.4102	1 K		2%	0207	MF
R..0092	57.11.4222	2.2 K		2%	0207	MF
R..0093	57.11.4152	1.5 K		2%	0207	MF
R..0094	57.11.4332	3.3 K		2%	0207	MF
R..0095	57.11.4561	560		2%	0207	MF

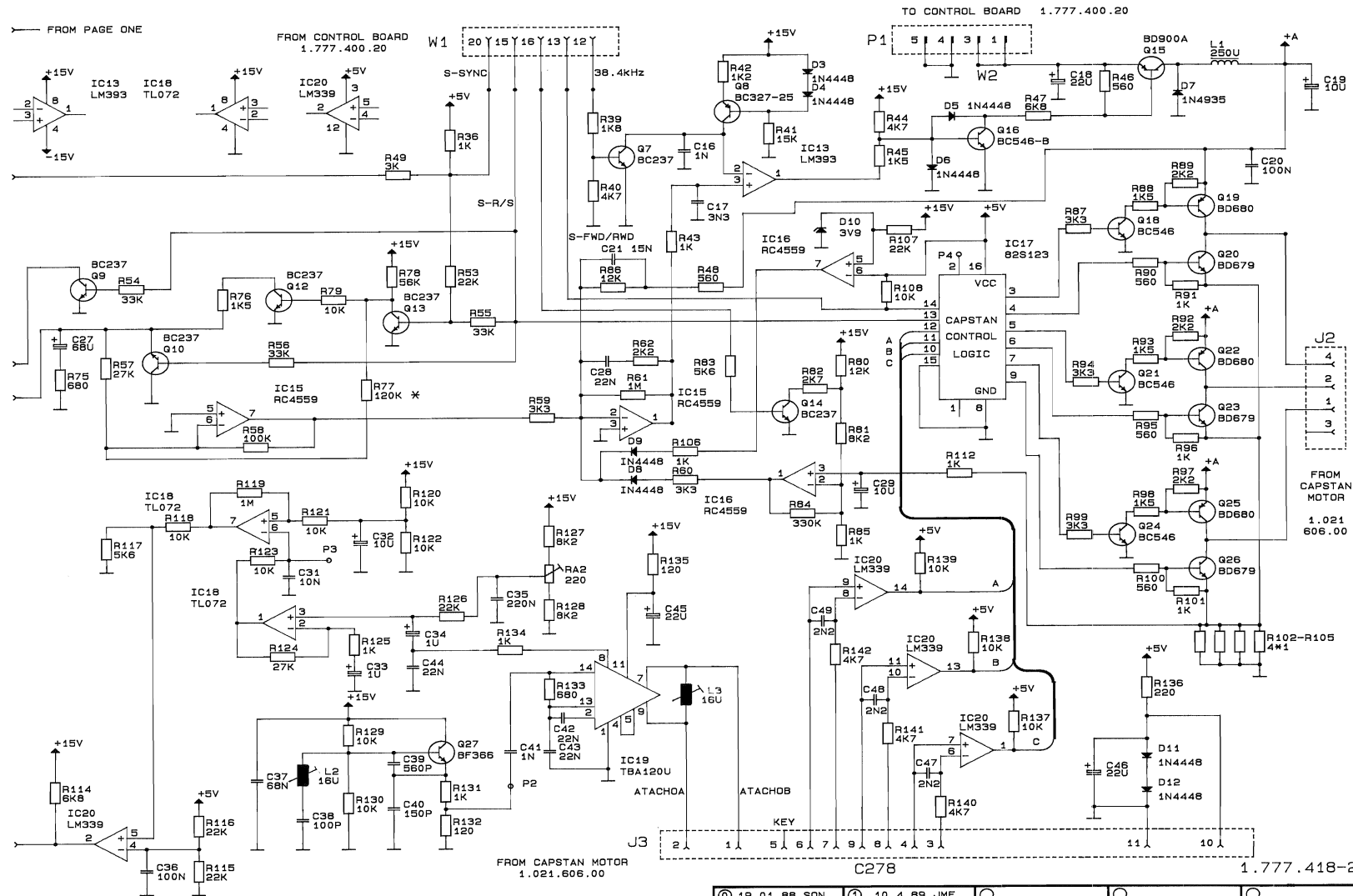
CAPSTAN SERVO BOARD 1.777.412.21



C278 1.777.418-21

① 19.01.88 SON	① 10.4.89 JME	○	○	○
EGL	C270 C274	PAGE 1 OF 2		
STUDER		CAPSTAN SERVO BOARD	"ESE"	SC 1.777.412-21

CAPSTAN SERVO BOARD 1.777.412.21

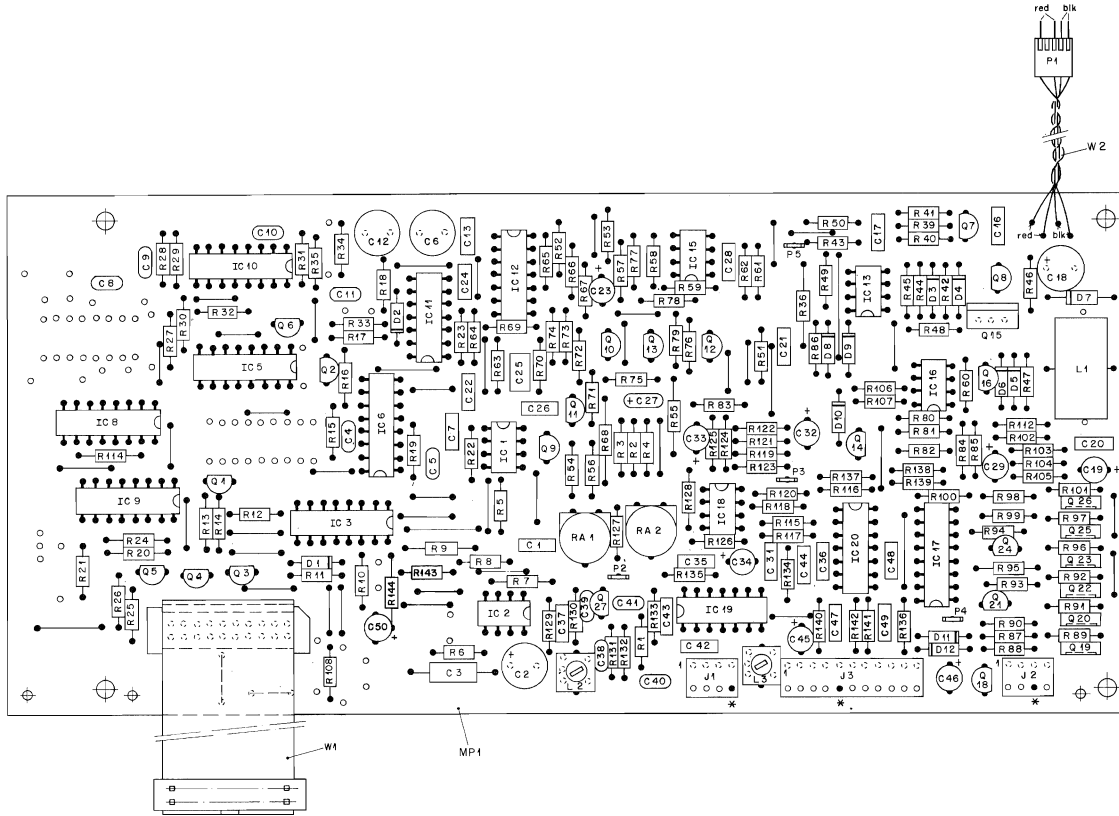


* R77=390K FROM 1.777.418-21 VERSION!

① 19.01.88 SON	① 10.4.89 JME	○	○	○
EG1	C270 C274	PAGE 2 OF 2		
STUDER		CAPSTAN SERVO BOARD	"ESE"	SC
1.777.412-21				

1.777.418-21

CAPSTAN SERVO BOARD 1.777.412.21



IND.	POS.NO.	PART NO.	VALUE	SPECIFICATIONS / EQUIVALENT	MANUF.
C10001		5922-0101	10 UF	10%, 63V, PE	
C10002		5922-0101	100 UF	-20%, 25V, EL	
C10003		5912-7488	1.8 UF	1%, 63V, PS	
C10004		5932-0081	5000 PF	10%, 50V, Car	
C10005		5934-4221	220 PF	1%, 63V, Car	
C10006		5934-1223	22 UF	1%, 63V, PP	
C10007		5930-0101	10 UF	5%, 63V, Car	
C10008		5934-6181	1000 PF	5%, 63V, Car	
C10009		5934-4181	100 PF	5%, 63V, Car	
C10010		5934-6221	220 PF	5%, 63V, Car	
C10011		5932-2881	680 PF	10%, 90V, Car	
C10012		5934-1223	22 UF	1%, 63V, PE	
C10013		5930-0222	2.2 NF	10%, 63V, PE	
C10014		5930-0102	1 NF	5%, 63V, PE	
C10015		5930-0332	3.3 NF	10%, 63V, PE	
C10016		5922-0220	22 UF	-20%, 63V, EL	
C10017		5922-0100	10 UF	-20%, 35V, EL	
C10018		5930-0104	1000 PF	10%, 63V, PE	
C10019		5922-0100	10 UF	-20%, 35V, EL	
C10020		5930-0102	4.7 NF	10%, 63V, PE	
C10021		5922-0100	10 UF	-20%, 35V, EL	
C10022		5930-0102	4.7 NF	10%, 63V, PE	
C10023		5922-0100	10 UF	-20%, 35V, EL	
C10024		5930-0102	4.7 NF	10%, 63V, PE	
C10025		5930-0102	4.7 NF	10%, 63V, PE	
C10026		5930-0102	4.7 NF	10%, 63V, PE	
C10027		5922-0100	10 UF	-20%, 35V, EL	
C10028		5930-0102	4.7 NF	10%, 63V, PE	
C10029		5922-0100	10 UF	-20%, 35V, EL	
C10030		5930-0102	4.7 NF	10%, 63V, PE	
C10031		5922-0100	10 UF	-20%, 35V, EL	
C10032		5922-0100	10 UF	-20%, 35V, EL	
C10033		5922-0100	10 UF	-20%, 35V, EL	
C10034		5922-0100	10 UF	-20%, 35V, EL	
C10035		5930-0224	220 PF	10%, 63V, PE	
C10036		5930-0104	1000 PF	10%, 63V, PE	
C10037		5934-0183	100 PF	10%, 63V, PE	
C10038		5934-0101	100 PF	5%, 63V, Car	
C10039		5934-0101	100 PF	5%, 63V, Car	
C10040		5934-0101	100 PF	5%, 63V, Car	

S T U D E R (01) 89/04/10 CAPSTAN-SERVO-BOARD A PL 1.777.412.21 PAGE 1

IND.	POS.NO.	PART NO.	VALUE	SPECIFICATIONS / EQUIVALENT	MANUF.
C10041		5932-4102	1 NF	20%, 63V, Car	
C10042		5930-0223	22 NF	10%, 63V, PE	
C10043		5930-0223	22 NF	10%, 63V, PE	
C10044		5930-0223	22 NF	10%, 63V, PE	
C10045		5922-0220	22 UF	-20%, 63V, EL	
C10046		5922-0220	22 UF	-20%, 35V, EL	
C10047		5922-0220	22 UF	-20%, 35V, EL	
C10048		5922-0220	22 UF	-20%, 35V, EL	
C10049		5930-0222	2.2 NF	10%, 63V, PE	
C10050		5930-0222	2.2 NF	10%, 63V, PE	
C10051		5922-0220	22 UF	-20%, 35V, EL	
C10052		5922-0220	22 UF	-20%, 35V, EL	
D1001		5030-1112	5.1 V	10%, D-5H	
D1002		5034-0134	1N 3595		RAVREC
D1003		5034-0125	1N 4448		RAVREC
D1004		5034-0125	1N 4448		RAVREC
D1005		5034-0125	1N 4448		RAVREC
D1006		5034-0125	1N 4448		RAVREC
D1007		5034-0125	1N 4448		RAVREC
D1008		5034-0125	1N 4448		RAVREC
D1009		5034-0125	1N 4448		RAVREC
D1010		5034-1101	3.9 V	10%, D-5H	
D1011		5034-0125	1N 4448		RAVREC
D1012		5034-0125	1N 4448		RAVREC
IC1001		5030-0107	HC 4559	Dual Op. Amp	TI/MS
IC1002		5030-0206	104 7959	CMOS	RAVREC
IC1003		5030-0224	MC 14052	CMOS	RAVREC
IC1004		5030-0506	MC 14026	CMOS	RAVREC
IC1005		5030-1538	MC 14038	CMOS	RAVREC
IC1006		5030-0024	MC 14052	CMOS	RAVREC
IC1007		5030-0926	MC 14052	CMOS	RAVREC
IC1008		5030-0926	MC 14052	CMOS	RAVREC
IC1009		5030-0926	MC 14052	CMOS	RAVREC
IC1010		5030-0926	MC 14052	CMOS	RAVREC
IC1011		5030-0206	20 4066	CMOS	RAVREC
IC1012		5030-0125	LF 397 N	Dual Op. Amp	NSiC/Not

S T U D E R (01) 89/04/10 CAPSTAN-SERVO-BOARD A PL 1.777.412.21 PAGE 2

IND.	POS.NO.	PART NO.	VALUE	SPECIFICATIONS / EQUIVALENT	MANUF.
IC10013		5030-0283	LM 339	Dual Comparator	TI/MS
IC10014		5030-0107	HC 4559	Dual Op. Amp	RAVREC
IC10015		5030-0107	HC 4559	Dual Op. Amp	RAVREC
IC10016		1.777.4111-00		CAPSTAN COMPUTAR LOGIC	SI
IC10017		5030-0101	TL 072	Dual Op. Amp	TI/MS
IC10018		5011-0151	TLA 120 U	HP-DEMULATOR	SI
IC10019		5011-0104	LM 339 N	Quad Comparator	NSiC/Not
J1001		5431-0241	4 pol	Strip CIS	AMP
J1002		5431-0241	4 pol	Strip CIS	AMP
J1003		5431-0291	11 pol	Strip CIS	AMP
L1001		52-03-0025	250 uH	2 A + FILTER	Tokin
L1002		1.777.4131-02	10 uH	HF-DROSSSEL	
L1003		1.777.4131-02	10 uH	HF-DROSSSEL	
MP1001		1.777.4131-11		CAPSTAN-SERVO PCB	
MP1002		1.777.4131-12		CAPSTAN-SERVO PCB	
P1001		5431-0244	5 pol	Casing CIS	
P1002		5432-0370		Test Point	
P1003		5432-0370		Test Point	
P1004		5432-0310		Test Point	
P1005		5432-0310		Test Point	
Q1001		5030-0436	HC 237-B	NPN	
Q1002		5030-0351	HC 307-25	PNP	
Q1003		5030-0351	HC 307-5	PNP	
Q1004		5030-0436	HC 237-B	NPN	
Q1005		5030-0436	HC 237-B	NPN	
Q1006		5030-0351	HC 307-25	PNP	
Q1007		5030-0436	HC 237-B	NPN	
Q1008		5030-0351	HC 307-25	PNP	
Q1009		5030-0436	HC 237-B	NPN	
Q1010		5030-0436	HC 237-B	NPN	
Q1011		5030-0351	HC 307-5	PNP	
Q1012		5030-0436	HC 237-B	NPN	

S T U D E R (01) 89/04/10 CAPSTAN-SERVO-BOARD A PL 1.777.412.21 PAGE 3

CAPSTAN SERVO BOARD 1.777.412.21

IND.	PDS.NO.	PART NO.	VALUE	SPECIFICATIONS / EQUIVALENT	MANUF.	IND.	PDS.NO.	PART NO.	VALUE	SPECIFICATIONS / EQUIVALENT	MANUF.
Q****14	50.03.0436	BC 237-B	NPN			R****99	57.11.3332	3.3 KOhm	2%	+25W MF	
Q****15	50.03.0436	BC 237-B	NPN			R****100	57.11.3361	500 Ohm	2%	+25W MF	
Q****16	50.03.0491	BD 800	PNP-Darlington			R****101	57.11.3109	2 KOhm	2%	+25W MF	
Q****17	50.03.0491	BC 54A-B	NPN			R****102	57.11.3109	1 Ohm	2%	+25W MF	
Q****18	50.03.0491	BC 54A-B	NPN			R****103	57.11.3109	1 Ohm	2%	+25W MF	
Q****19	50.03.0491	BD 800	PNP-Darlington			R****104	57.11.3109	1 Ohm	2%	+25W MF	
Q****20	50.03.0491	BD 800	PNP-Darlington			R****105	57.11.3102	1 KOhm	2%	+25W MF	
Q****21	50.03.0491	BD 800	PNP-Darlington			R****106	57.11.3102	22 KOhm	2%	+25W MF	
Q****22	50.03.0491	BC 54A-B	NPN			R****107	57.11.3103	10 KOhm	2%	+25W MF	
Q****23	50.03.0491	BD 800	PNP-Darlington			R****108	57.11.3103	10 KOhm	2%	+25W MF	
Q****24	50.03.0491	BD 800	PNP-Darlington			R****109	57.11.3103	10 KOhm	2%	+25W MF	
Q****25	50.03.0491	BD 800	PNP-Darlington			R****110	57.11.3103	10 KOhm	2%	+25W MF	
Q****26	50.03.0491	BD 800	PNP-Darlington			R****111	57.11.3103	10 KOhm	2%	+25W MF	
Q****27	50.03.0491	BD 800	PNP-Darlington			R****112	57.11.3103	10 KOhm	2%	+25W MF	
Q****28	50.03.0491	BD 800	PNP-Darlington			R****113	57.11.3103	10 KOhm	2%	+25W MF	
Q****29	50.03.0491	BD 800	PNP-Darlington			R****114	57.11.3103	10 KOhm	2%	+25W MF	
Q****30	50.03.0491	BD 800	PNP-Darlington			R****115	57.11.3103	10 KOhm	2%	+25W MF	
Q****31	50.03.0491	BD 800	PNP-Darlington			R****116	57.11.3103	10 KOhm	2%	+25W MF	
Q****32	50.03.0491	BD 800	PNP-Darlington			R****117	57.11.3103	10 KOhm	2%	+25W MF	
Q****33	50.03.0491	BD 800	PNP-Darlington			R****118	57.11.3103	10 KOhm	2%	+25W MF	
Q****34	50.03.0491	BD 800	PNP-Darlington			R****119	57.11.3103	10 KOhm	2%	+25W MF	
Q****35	50.03.0491	BD 800	PNP-Darlington			R****120	57.11.3103	10 KOhm	2%	+25W MF	
Q****36	50.03.0491	BD 800	PNP-Darlington			R****121	57.11.3103	10 KOhm	2%	+25W MF	
Q****37	50.03.0491	BD 800	PNP-Darlington			R****122	57.11.3103	10 KOhm	2%	+25W MF	
Q****38	50.03.0491	BD 800	PNP-Darlington			R****123	57.11.3103	10 KOhm	2%	+25W MF	
Q****39	50.03.0491	BD 800	PNP-Darlington			R****124	57.11.3103	10 KOhm	2%	+25W MF	
Q****40	50.03.0491	BD 800	PNP-Darlington			R****125	57.11.3102	1 KOhm	2%	+25W MF	
Q****41	50.03.0491	BD 800	PNP-Darlington			R****126	57.11.3102	22 KOhm	2%	+25W MF	
Q****42	50.03.0491	BD 800	PNP-Darlington			R****127	57.11.3102	8.2 KOhm	2%	+25W MF	
Q****43	50.03.0491	BD 800	PNP-Darlington			R****128	57.11.3102	8.2 KOhm	2%	+25W MF	
Q****44	50.03.0491	BD 800	PNP-Darlington			R****129	57.11.3103	10 KOhm	2%	+25W MF	
Q****45	50.03.0491	BD 800	PNP-Darlington			R****130	57.11.3103	10 KOhm	2%	+25W MF	
Q****46	50.03.0491	BD 800	PNP-Darlington			R****131	57.11.3102	1 KOhm	2%	+25W MF	
Q****47	50.03.0491	BD 800	PNP-Darlington			R****132	57.11.3103	120 Ohm	2%	+25W MF	
Q****48	50.03.0491	BD 800	PNP-Darlington			R****133	57.11.3101	680 Ohm	2%	+25W MF	
Q****49	50.03.0491	BD 800	PNP-Darlington			R****134	57.11.3102	1 KOhm	2%	+25W MF	
Q****50	50.03.0491	BD 800	PNP-Darlington			R****135	57.11.3121	120 Ohm	2%	+25W MF	
Q****51	50.03.0491	BD 800	PNP-Darlington			R****136	57.11.3121	220 Ohm	2%	+25W MF	
Q****52	50.03.0491	BD 800	PNP-Darlington			R****137	57.11.3103	10 KOhm	2%	+25W MF	
Q****53	50.03.0491	BD 800	PNP-Darlington			R****138	57.11.3103	10 KOhm	2%	+25W MF	
Q****54	50.03.0491	BD 800	PNP-Darlington			R****139	57.11.3103	10 KOhm	2%	+25W MF	

S T U D E R (01) 89/04/10 CAPSTAN-SERVO-BOARD A PL 1.777.412.21 PAGE 4 S T U D E R (01) 89/04/10 CAPSTAN-SERVO-BOARD A PL 1.777.412.21 PAGE 7

IND.	PDS.NO.	PART NO.	VALUE	SPECIFICATIONS / EQUIVALENT	MANUF.	IND.	PDS.NO.	PART NO.	VALUE	SPECIFICATIONS / EQUIVALENT	MANUF.
R****23	57.11.3122	1.2 KOhm	2%	+25W MF		R****140	57.11.3472	4.7 KOhm	2%	+25W MF	
R****24	57.11.3333	33 KOhm	2%	+25W MF		R****141	57.11.3472	4.7 KOhm	2%	+25W MF	
R****25	57.11.3333	33 KOhm	2%	+25W MF		R****142	57.11.3472	4.7 KOhm	2%	+25W MF	
R****26	57.11.3333	33 KOhm	2%	+25W MF		(01) R****143	57.11.3103	10 KOhm	2%	+25W MF	
R****27	57.11.3323	22 KOhm	2%	+25W MF		(01) R****144	57.11.3103	10 KOhm	2%	+25W MF	
R****28	57.11.3322	2.2 KOhm	2%	+25W MF		R****145	59.02.3103	10 KOhm	2%	+1 W PCECH	
R****29	57.11.3323	22 KOhm	2%	+25W MF		R****146	59.02.3221	220 Ohm	2%	+1 W PCECH	
R****30	57.11.3474	470 KOhm	2%	+25W MF		W****11	1.123.110.10	20 po		Flatcable	
R****31	57.11.3503	36 KOhm	2%	+25W MF		W****12	1.777.410.01			Wire List	
R****32	57.11.3502	5.6 KOhm	2%	+25W MF							
R****33	57.11.3511	470 Ohm	2%	+25W MF							
R****34	57.11.3124	100 KOhm	1%	+25W MF							
R****35	57.11.3503	36 KOhm	2%	+25W MF							
R****36	57.11.3102	1 KOhm	2%	+25W MF							
R****37	57.11.3472	14.8 KOhm	2%	+25W MF							
R****40	57.11.3472	4.7 KOhm	2%	+25W MF							
R****41	57.11.3103	15 KOhm	2%	+25W MF							
R****42	57.11.3122	1.2 KOhm	2%	+25W MF							
R****43	57.11.3102	1 KOhm	2%	+25W MF							
R****44	57.11.3472	4.7 KOhm	2%	+25W MF							
R****45	57.11.3102	1 KOhm	2%	+25W MF							
R****46	57.11.3511	560 Ohm	2%	+25W MF							
R****47	57.11.3502	5.6 KOhm	2%	+25W MF							
R****48	57.11.3501	560 Ohm	2%	+25W MF							
R****49	57.11.3102	1 KOhm	2%	+25W MF							
R****50	57.11.3102	1 KOhm	2%	+25W MF							
R****51	57.11.3103	10 KOhm	2%	+25W MF							
R****52	57.11.3223	22 KOhm	2%	+25W MF							
R****53	57.11.3223	22 KOhm	2%	+25W MF							
R****54	57.11.3333	33 KOhm	2%	+25W MF							
R****55	57.11.3333	33 KOhm	2%	+25W MF							
R****56	57.11.3333	33 KOhm	2%	+25W MF							
R****57	57.11.3223	22 KOhm	2%	+25W MF							
R****58	57.11.3104	100 KOhm	2%	+25W MF							
R****59	57.11.3332	3.3 KOhm	2%	+25W MF							
R****60	57.11.3332	3.3 KOhm	2%	+25W MF							
R****61	57.11.3105	1 KOhm	2%	+25W MF							

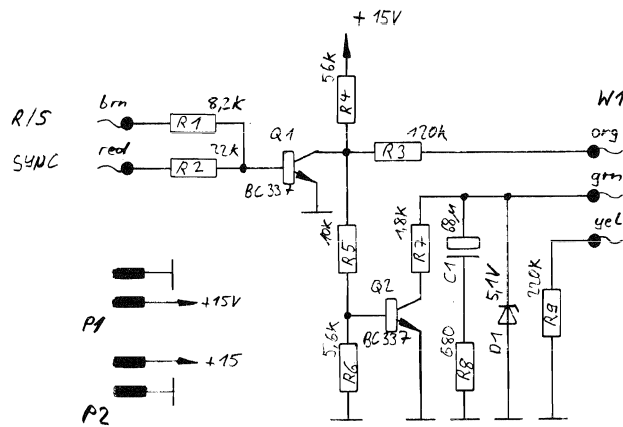
S T U D E R (01) 89/04/10 CAPSTAN-SERVO-BOARD A PL 1.777.412.21 PAGE 5 S T U D E R (01) 89/04/10 CAPSTAN-SERVO-BOARD A PL 1.777.412.21 PAGE 8

IND.	PDS.NO.	PART NO.	VALUE	SPECIFICATIONS / EQUIVALENT	MANUF.
R****62	57.11.3222	2.2 KOhm	2%	+25W MF	
R****63	57.11.3226	22 KOhm	10%	+25W MF	
R****64	57.11.3104	100 KOhm	2%	+25W MF	
R****65	57.11.3104	100 KOhm	2%	+25W MF	
R****66	57.11.3104	100 KOhm	2%	+25W MF	
R****67	57.11.3104	100 KOhm	2%	+25W MF	
R****68	57.11.3104	100 KOhm	2%	+25W MF	
R****69	57.11.3332	3.3 KOhm	2%	+25W MF	
R****70	57.11.3402	36.8 KOhm	2%	+25W MF	
R****71	57.11.3105	1 KOhm	2%	+25W MF	
R****72	57.11.3105	1.2 KOhm	2%	+25W MF	
R****73	57.11.3105	1 KOhm	2%	+25W MF	
R****74	57.11.3223	22 KOhm	2%	+25W MF	
R****75	57.11.3501	560 Ohm	2%	+25W MF	
R****76	57.11.3102	1 KOhm	2%	+25W MF	
R****77	57.11.3474	470 KOhm	2%	+25W MF	
R****78	57.11.3102	1 KOhm	2%	+25W MF	
R****79	57.11.3103	10 KOhm	2%	+25W MF	
R****80	57.11.3123	12 KOhm	2%	+25W MF	
R****81	57.11.3402	3.2 KOhm	2%	+25W MF	
R****82	57.11.3212	2.7 KOhm	2%	+25W MF	
R****83	57.11.3502	5.6 KOhm	2%	+25W MF	
R****84	57.11.3314	300 KOhm	2%	+25W MF	
R****85	57.11.3102	1 KOhm	2%	+25W MF	
R****86	57.11.3123	12 KOhm	2%	+25W MF	
R****87	57.11.3332	3.3 KOhm	2%	+25W MF	
R****88	57.11.3102	1 KOhm	2%	+25W MF	
R****89	57.11.3222	2.2 KOhm	2%	+25W MF	
R****90	57.11.3501	560 Ohm	2%	+25W MF	
R****91	57.11.3102	1 KOhm	2%	+25W MF	
R****92	57.11.3222	2.2 KOhm	2%	+25W MF	
R****93	57.11.3132	1.5 KOhm	2%	+25W MF	
R****94	57.11.3132	1.5 KOhm	2%	+25W MF	
R****95	57.11.3501	560 Ohm	2%	+25W MF	
R****96	57.11.3102	1 KOhm	2%	+25W MF	
R****97	57.11.3222	2.2 KOhm	2%	+25W MF	
R****98	57.11.3132	1.5 KOhm	2%	+25W MF	

S T U D E R (01) 89/04/10 CAPSTAN-SERVO-BOARD A PL 1.777.412.21 PAGE 6

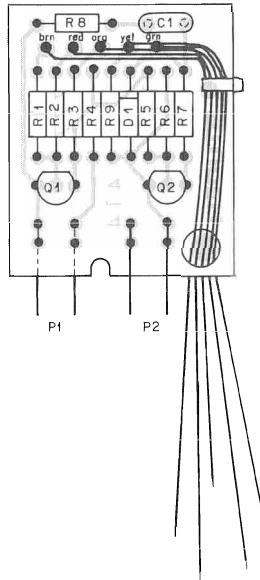
(01) 10.0x0.89 Value Adjust
 PE=Polystyrene GE=Ceramic/Glucite/Glucite Cer=Ceramic PP=Polypropylene
 ME=Metallfilm PCECH=Pot. Metcar Carbon Film
 MANUFACTURER: Mot=Motorola NS=National S=Semiconductors Phi=Philips
 Sig=Signetics St=Steador I=Texas Instruments C=ChipsElements
 Sch=Schottky Di=Diodeshron=Honeywell Mic=Micro Cor=Ceramic Res=Resistor
 Sem=Semiconductors Gen=General Instruments Int=

FAST START BOARD 1.777.414.00



© 259.87 B. J.M.K.	○ ..	○ ..	○ ..	○ ..
	C 270			PAGE 1 OF 1
STUDER	FAST START BOARD		SC	1.777.414.00

FAST START BOARD 1.777.414.00



IND.	POS. NO.	PART NO.	VALUE	SPECIFICATIONS / EQUIVALENT	MANUF.
C..0001		59.26.0680	68 U	20%, 6.3V, SAL	
D..0001		50.04.1112	5.1 V	5%, .40W, Z+	
MP.0001		1.777.414.11		FAST START BOARD	
P..0001		54.01.0468	2 PDL	STRIP CIS ANGLES	
P..0002		54.01.0468	2 PDL	STRIP CIS ANGLES	
Q..0001		50.03.0340	BC 337-25		
Q..0002		50.03.0340	BC 337-25		
R..0001		57.11.4822	8.2 K	2%, 0207, MF	
R..0002		57.11.4223	22 K	2%, 0207, MF	
R..0003		57.11.4124	120 K	2%, 0207, MF	
R..0004		57.11.4563	56 K	2%, 0207, MF	
R..0005		57.11.4103	10 K	2%, 0207, MF	
R..0006		57.11.4562	5.6 K	2%, 0207, MF	
R..0007		57.11.4182	1.8 K	2%, 0207, MF	
R..0008		57.11.4681	680	2%, 0207, MF	
R..0009		57.11.4224	220 K	2%, 0207, MF	
W..0001		1.777.414.93		WL-FAST START BOARD	

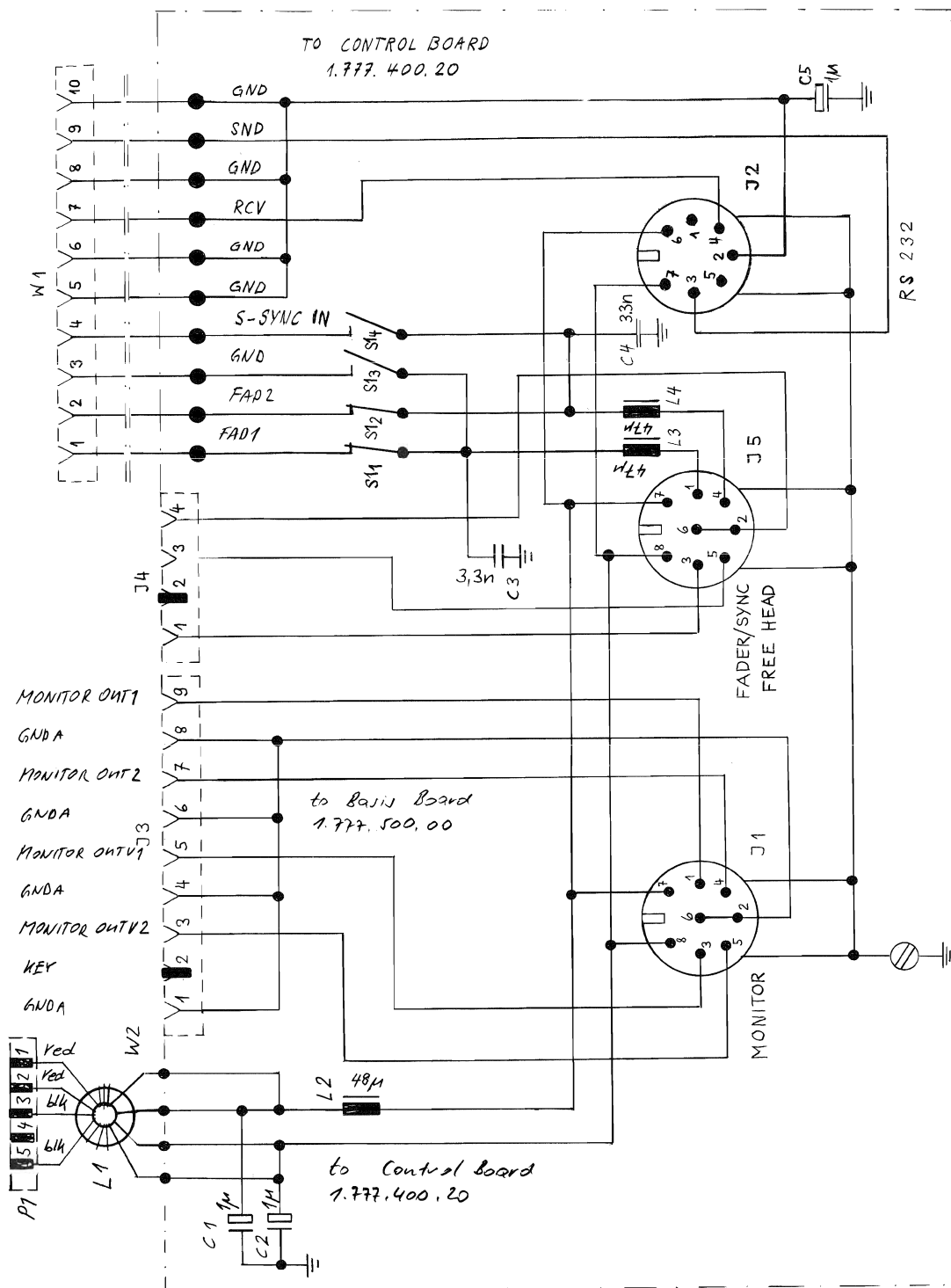
ORIG 87/09/28

STUDER (00) 87/09/28

FAST START BOARD

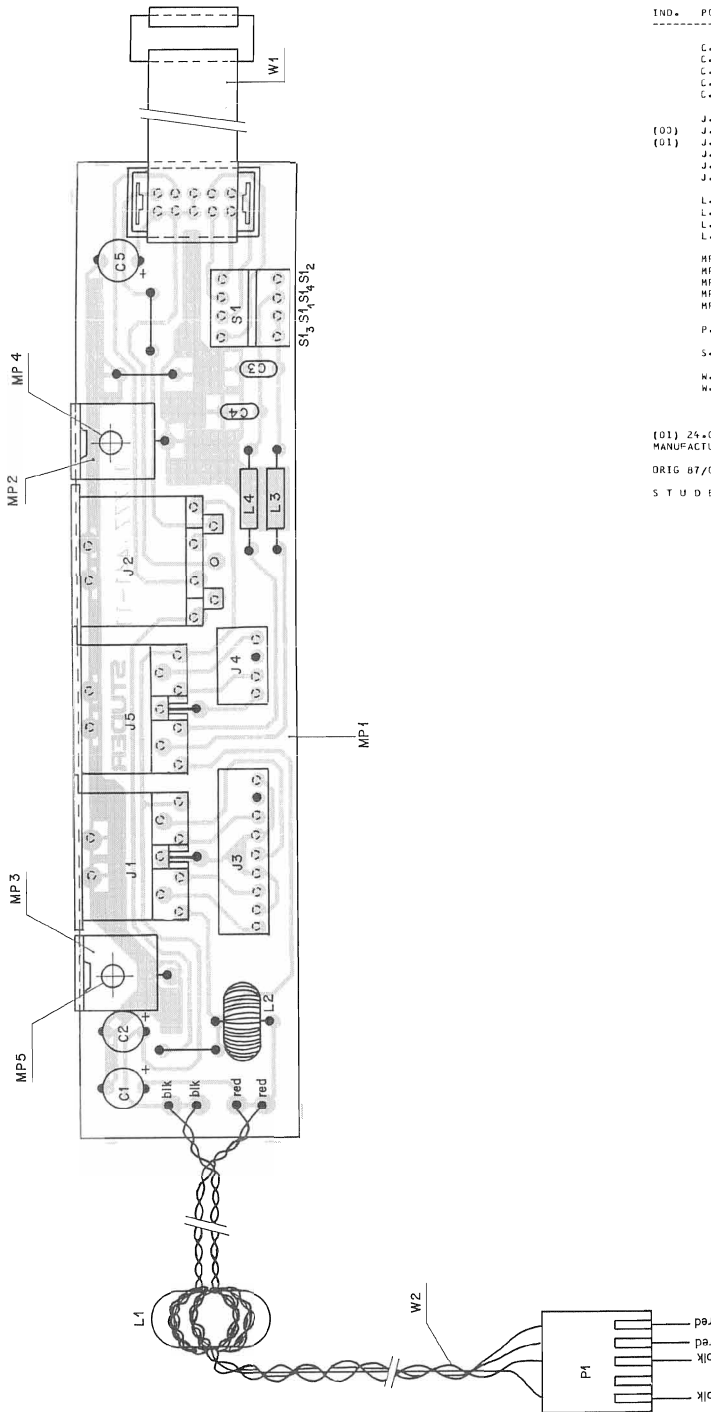
1.777.414.00 PAGE 1

CONNECTION BOARD 1.777.441.00



© 1.6.87	J.674
C 270				PAGE 1 OF 1	
STUDER	CONNECTION BOARD			SC 1.777.441.00	

CONNECTION BOARD 1.777.441.00



IND.	POS.NO.	PART NO.	VALUE	SPECIFICATIONS / EQUIVALENT	MANUF.
	C..0001	59.22.8109	1 U	-20%, 63V, EL	
	C..0002	59.22.8109	1 U	-20%, 63V, EL	
	C..0003	59.32.2332	3300 P	10%, 50V, CER	
	C..0004	59.32.2332	3300 P	10%, 50V, CER	
	C..0005	59.22.8109	1 U	-20%, 63V, EL	
	J..0001	54.20.2003	8 PDL.	PRINT DIN	Hirschmann
(00)	J..0002	54.21.1247	7 PDL.	PRINT DIN	Hirschmann
(01)	J..0002	54.99.0216	7 PDL.	PRINT DIN	Hirschmann
	J..0003	54.01.0217	9 PDL.	SOCKET STRIP CIS	AMP
	J..0004	54.01.0241	4 PDL.	SOCKET STRIP CIS	AMP
	J..0005	54.20.2003	8 PDL.	PRINT DIN	Hirschmann
	L..0001	61.32.0152	020/10±7	COIL	
	L..0002	62.03.0010	48U, 2A	COIL	
	L..0003	62.01.0138	47U	COIL	
	L..0004	62.01.0138	47U	COIL	
	MP.0001	1.777.441.11		CONNECTION-PCB	St
	MP.0002	1.726.780.01		HOLDER	St
	MP.0003	1.726.780.01		HOLDER	St
	MP.0004	28.21.2405	D 3x4	RIVET	St
	MP.0005	28.21.2405	D 3x4	RIVET	St
	P..0001	54.01.0264	5 PDL.	CASING CIS	AMP
	S..0001	55.12.1001	4 pcs	DIL SWITCH ON/OFF	
	W..0001	1.223.110.04		FLATCABLE 10 PDL. 0±27 M	St
	W..0002	1.777.441.93		WL-CONNECTION BOARD	St

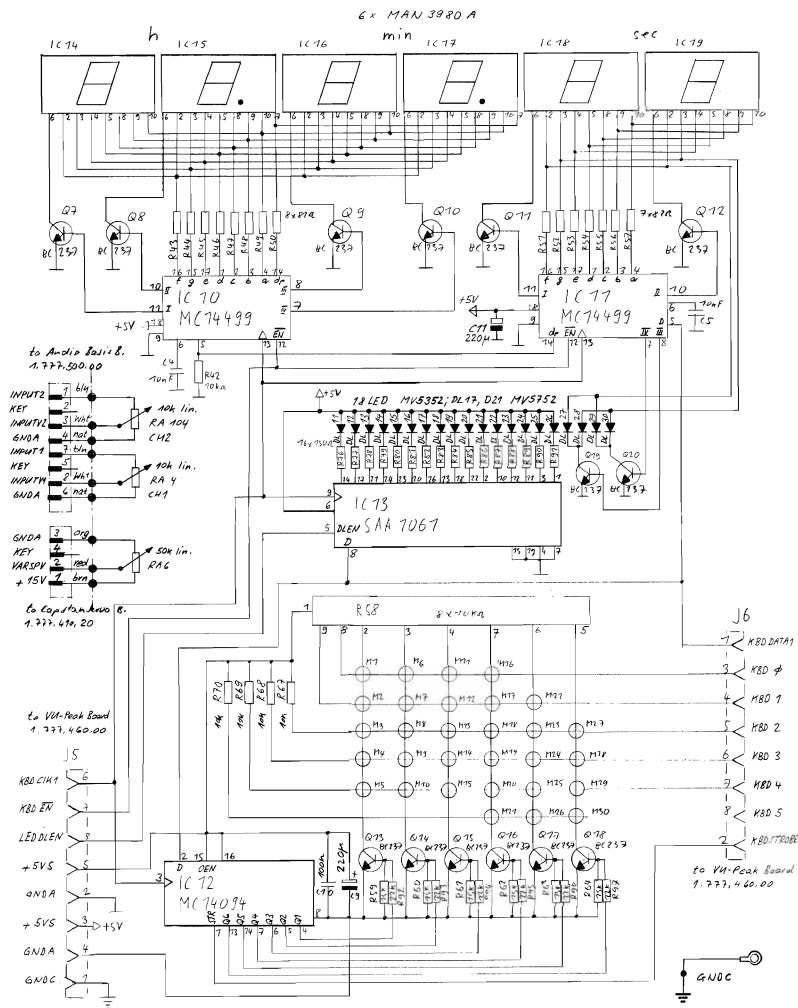
(01) 24.01.89 Number adjust
 MANUFACTURER: AMP=AMP Incorporated, St=Studer.

DRIG 87/05/27 (01) 89/01/24

STUDER (01) 89/01/24 CONNECTION BOARD PL 1.777.441.00 PAGE 1



KEYBOARD 1.777.450.00



	J6.3	J6.4	J6.5	J6.6	J6.7	J6.8
Q 13	SEL M 1	STEP M 2	TRANS M 3	SEARCH M 4	RESET M 5	
Q 14	Z-LOG M 6 (D 27)	A-LOG M 7 (D 28)	LOOP M 8 (D 29)	T-DUMP M 9 (D 30)	EDIT M 10 (D 26)	
Q 15	<< M 11	>> M 12	PLAY M 13	STOP M 14	REC M 15	
Q 16	READY 1 M 16 (D 21)	INPUT 1 M 17 (D 25)	SYNC 1 M 18 (D 22)	REPRO 1 M 19 (D 24)	MIC M 20 (D 23)	UNCALINP. M 21 (D 18)
Q 17		LINE M 22 (D 11)	READY 2 M 23 (D 17)	INPUT 2 M 24 (D 12)	SYNC 2 M 25 (D 19)	REPRO 2 M 26 (D 16)
Q 18			UNCALOUT. M 27 (D 13)	SLOW M 28 (D 20)	FAST M 29 (D 15)	VARISPEED M 30 (D 14)

① 21.1.87 B	① 12.8.87 J.M.F.		
C270		PAGE 1 OF 2	
STUDER	KEYBOARD	*ESE" SC	1.777.450.00

KEYBOARD 1.777.450.00

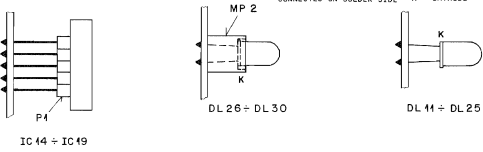
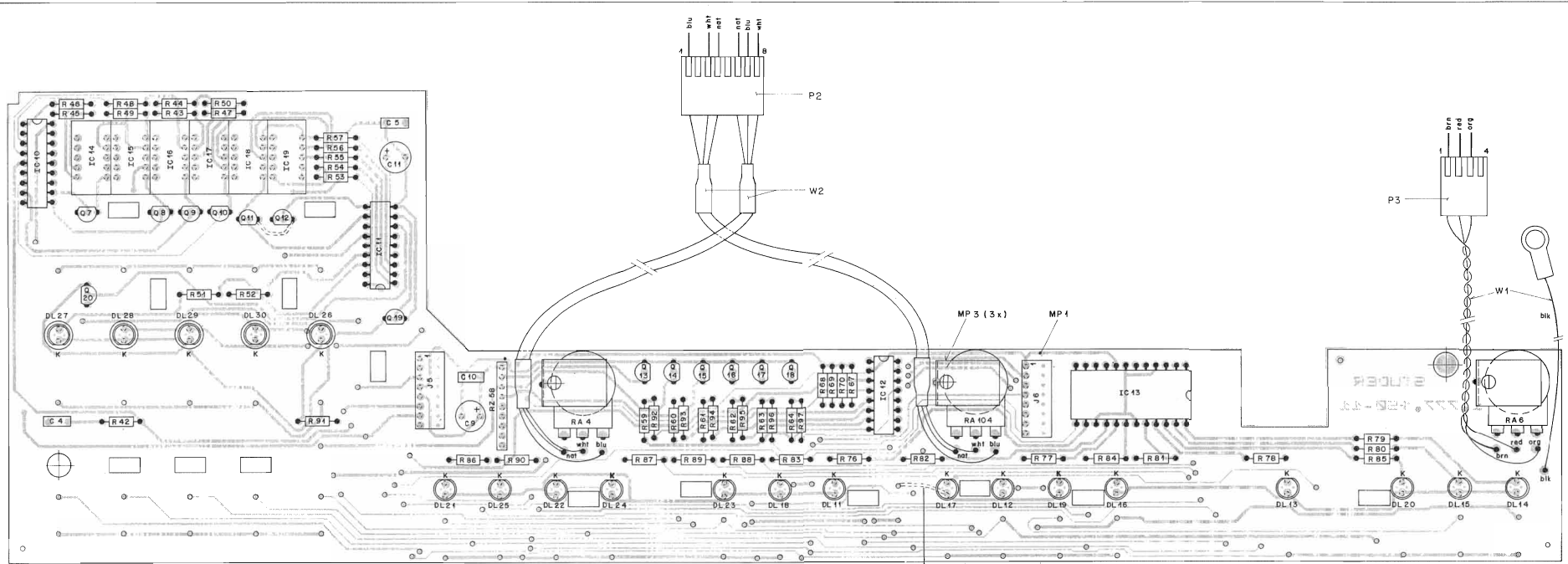


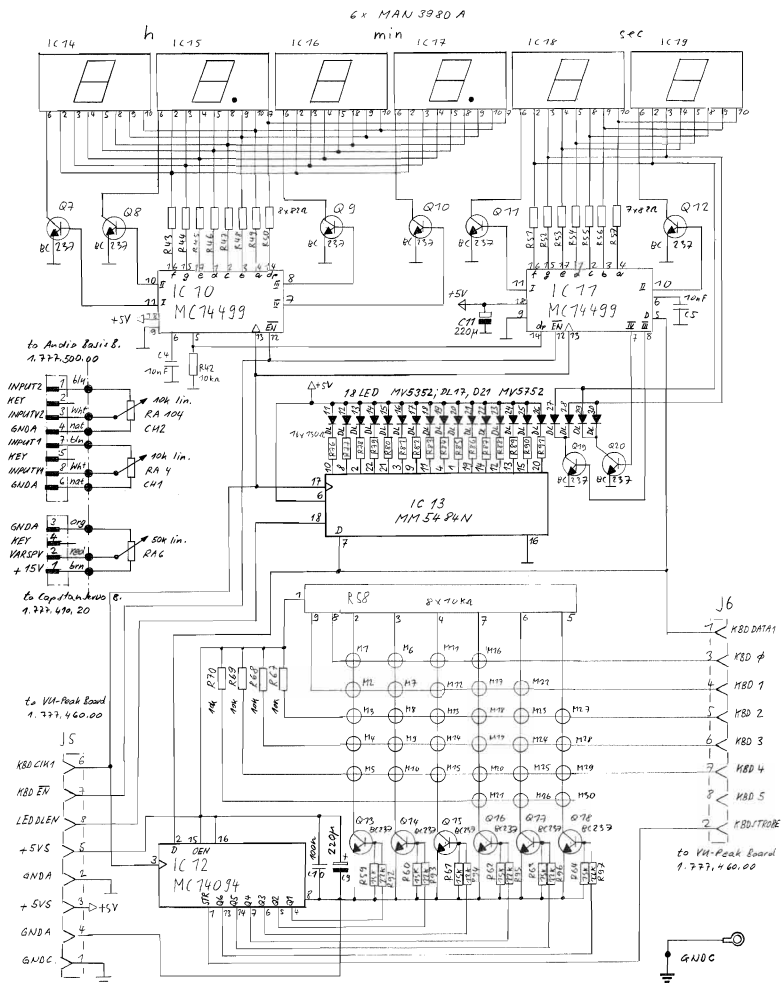
Table with 6 columns: IND., POS.ND., PART NO., VALUE, SPECIFICATIONS / EQUIVALENT, MANUF. (Items 1-100)

Table with 6 columns: IND., POS.ND., PART NO., VALUE, SPECIFICATIONS / EQUIVALENT, MANUF. (Items 101-200)

Table with 6 columns: IND., POS.ND., PART NO., VALUE, SPECIFICATIONS / EQUIVALENT, MANUF. (Items 201-300)

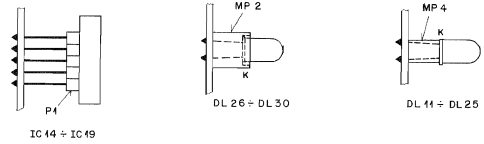
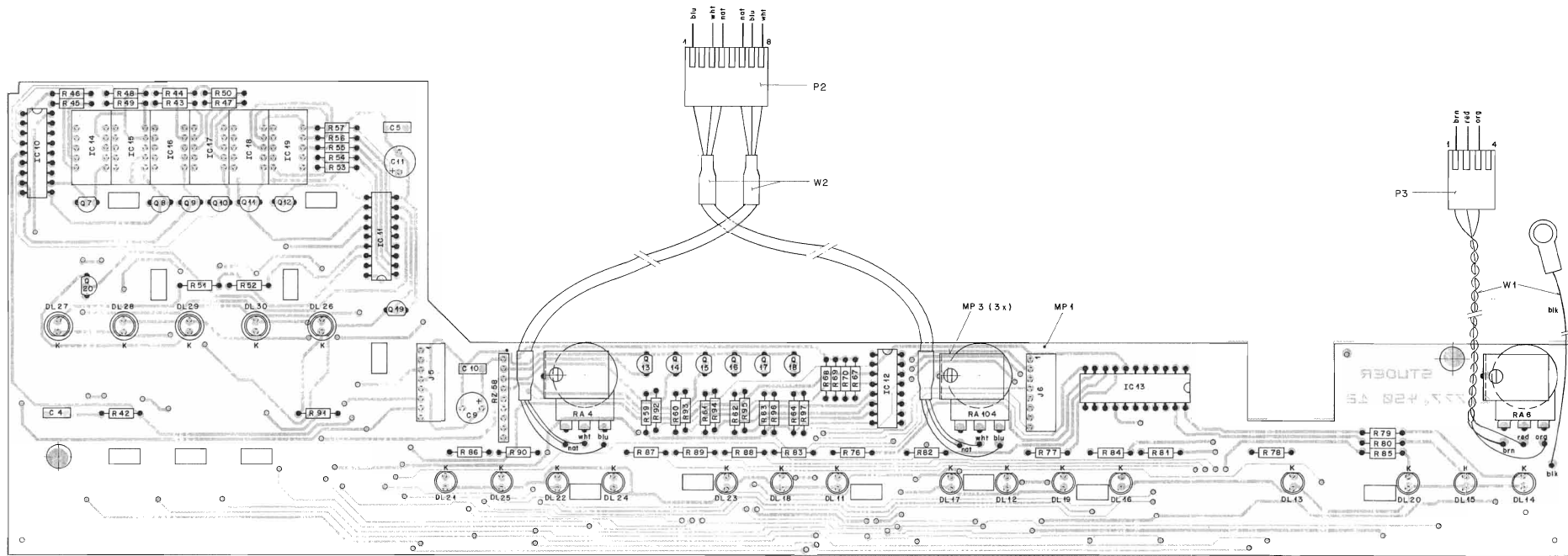
Table with 6 columns: IND., POS.ND., PART NO., VALUE, SPECIFICATIONS / EQUIVALENT, MANUF. (Items 301-400)

KEYBOARD 1.777.451.00



④ 4.1.88	C 270	PAGE 1 OF 2
STUDER	KEYBOARD	"ESE" SC 1.777.451.00

KEYBOARD 1.777.451.00

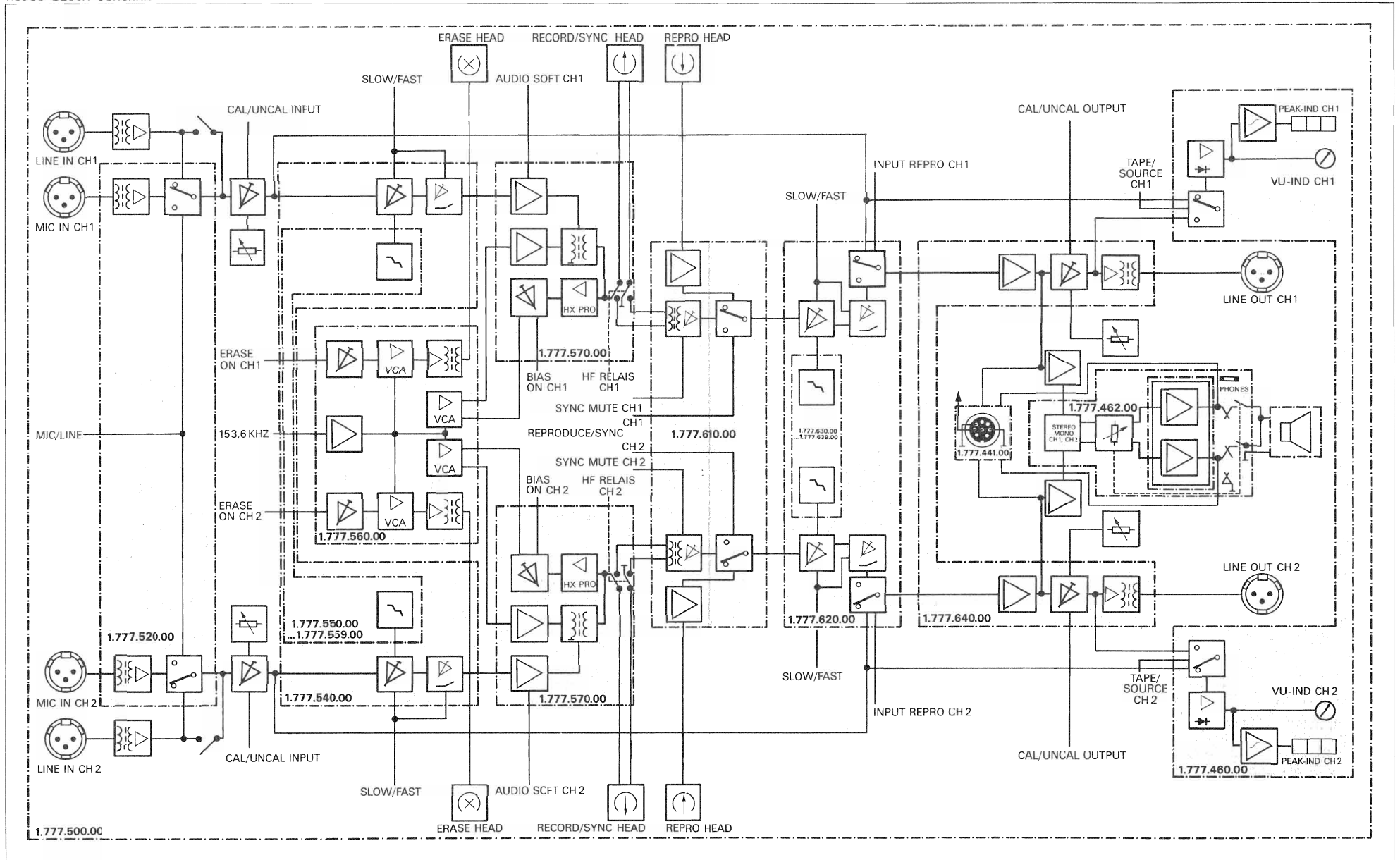


IC 14 - IC 49

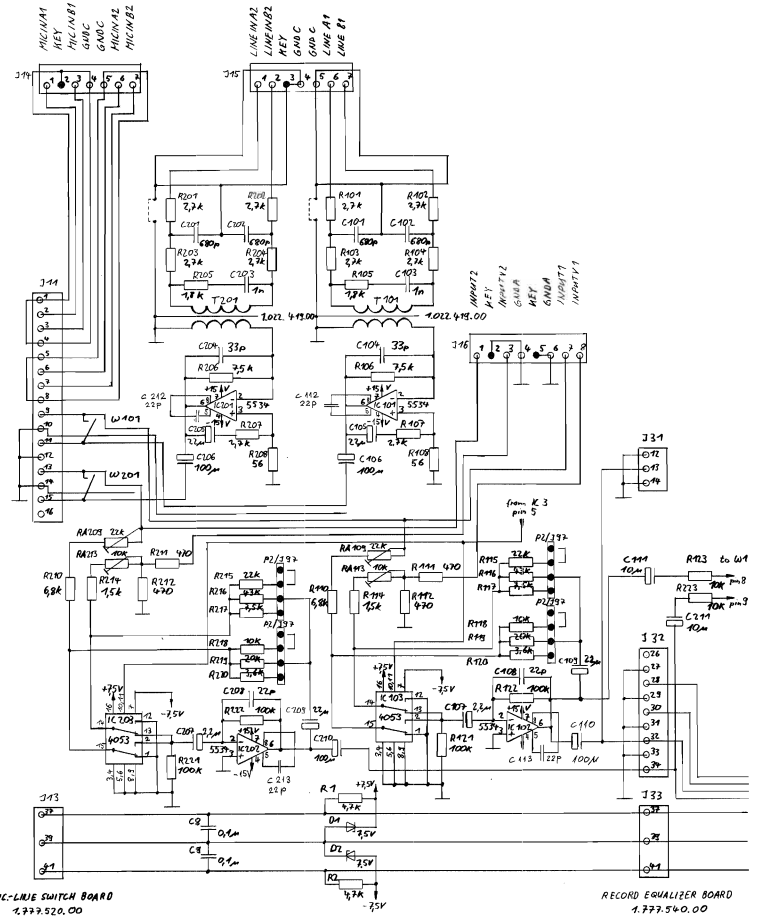
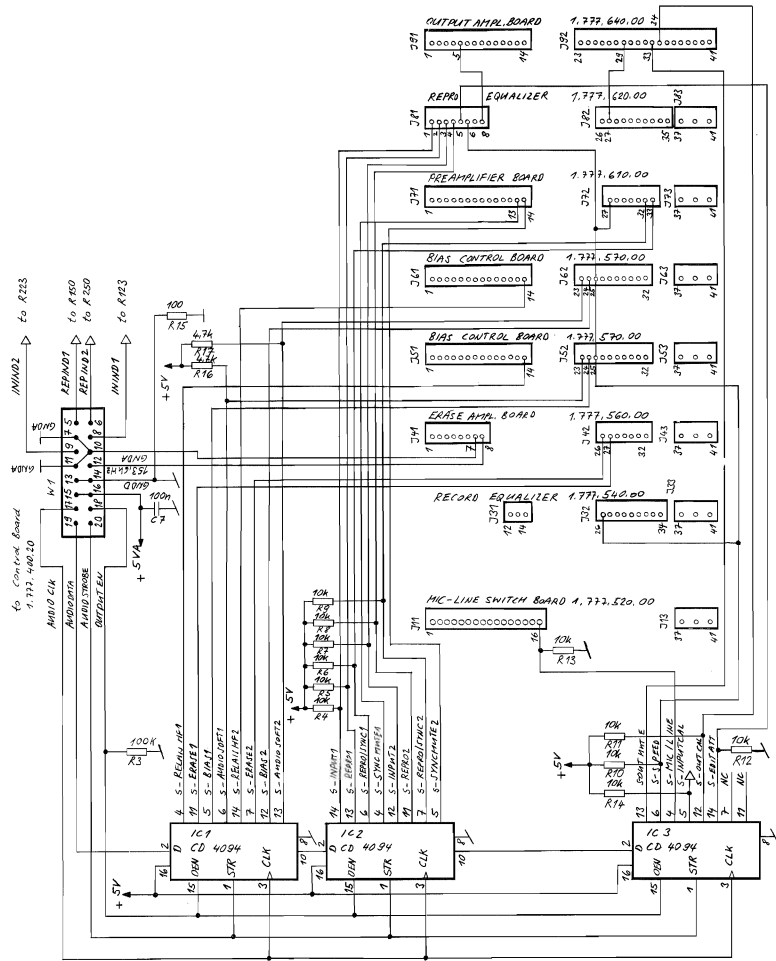
IND.	POS.ND.	PART NO.	VALUE	SPECIFICATIONS / EQUIVALENT	MANUF.	IND.	POS.ND.	PART NO.	VALUE	SPECIFICATIONS / EQUIVALENT	MANUF.	IND.	POS.ND.	PART NO.	VALUE	SPECIFICATIONS / EQUIVALENT	MANUF.					
C...	0005	99-08-3103	-01 U	5%, 63V ± P&P		DL-0027	50-04-2500	RV 5352		GI	Q...	0013	50-03-0436	IC 547 B&C 237 B	SiemTT-ITT	R...	0078	57-11-4151	150	2%, 0207 ± MF		
C...	0009	99-08-3103	-01 U	5%, 63V ± P&P		DL-0028	50-04-2500	RV 5352		GI	Q...	0014	50-03-0436	IC 547 B&C 237 B	SiemTT-ITT	R...	0079	57-11-4151	150	2%, 0207 ± MF		
C...	0009	99-22-3221	220 U	-20%, 10V ± EL		DL-0029	50-04-2500	RV 5352		GI	Q...	0015	50-03-0436	IC 547 B&C 237 B	SiemTT-ITT	R...	0080	57-11-4151	150	2%, 0207 ± MF		
C...	0010	99-08-3103	-01 U	5%, 63V ± P&P		DL-0030	50-04-2500	RV 5352		GI	Q...	0016	50-03-0436	IC 547 B&C 237 B	SiemTT-ITT	R...	0081	57-11-4151	150	2%, 0207 ± MF		
C...	0011	99-22-3221	220 U	-20%, 10V ± EL		UL-0030	50-04-2500	RV 5352		GI	Q...	0017	50-03-0436	IC 547 B&C 237 B	SiemTT-ITT	R...	0082	57-11-4151	150	2%, 0207 ± MF		
(00)	DL-0011	50-04-2114		RV 5352	GI	UL-0030	50-04-2500	RV 5352		GI	Q...	0018	50-03-0436	IC 547 B&C 237 B	SiemTT-ITT	R...	0083	57-11-4151	150	2%, 0207 ± MF		
(00)	DL-0012	50-04-2114		RV 5352	GI	P...	0001	53-03-0228	60 pcs	CASING	SA	R...	0042	57-11-4103	10 K	2%, 0207 ± MF	R...	0084	57-11-4151	150	2%, 0207 ± MF	
(00)	DL-0012	50-04-2114		RV 5352	GI	P...	0002	54-01-0280	4 PDL	CASING	SA	R...	0043	57-11-4103	82	2%, 0207 ± MF	R...	0085	57-11-4151	150	2%, 0207 ± MF	
(00)	DL-0013	50-04-2114		RV 5352	GI	F...	0003	54-01-0280	4 PDL	CASING	SA	R...	0044	57-11-4103	82	2%, 0207 ± MF	R...	0086	57-11-4151	150	2%, 0207 ± MF	
(00)	DL-0013	50-04-2114		RV 5352	GI	IC-0010	50-07-0010	MC 16499MC		MC	Mal	R...	0045	57-11-4103	82	2%, 0207 ± MF	R...	0087	57-11-4151	150	2%, 0207 ± MF	
(00)	DL-0014	50-04-2114		RV 5352	GI	IC-0011	50-07-0010	MC 16499MC		MC	Mal	R...	0046	57-11-4103	82	2%, 0207 ± MF	R...	0088	57-11-4151	150	2%, 0207 ± MF	
(00)	DL-0014	50-04-2114		RV 5352	GI	IC-0012	50-07-0010	MC 16499MC		MC	Mal	R...	0047	57-11-4103	82	2%, 0207 ± MF	R...	0089	57-11-4151	150	2%, 0207 ± MF	
(00)	DL-0015	50-04-2114		RV 5352	GI	IC-0013	50-11-0147	MC 16094 BLP, HEF 6094BP		MC	Mal	R...	0048	57-11-4103	82	2%, 0207 ± MF	R...	0090	57-11-4151	150	2%, 0207 ± MF	
(00)	DL-0015	50-04-2114		RV 5352	GI	IC-0014	73-01-0150	MIN 3980A		MC	Mal	R...	0049	57-11-4103	82	2%, 0207 ± MF	R...	0091	57-11-4151	150	2%, 0207 ± MF	
(00)	DL-0016	50-04-2114		RV 5352	GI	IC-0015	73-01-0150	MIN 3980A		MC	Mal	R...	0050	57-11-4103	82	2%, 0207 ± MF	R...	0092	57-11-4151	150	2%, 0207 ± MF	
(00)	DL-0016	50-04-2114		RV 5352	GI	IC-0016	73-01-0150	MIN 3980A		MC	Mal	R...	0051	57-11-4103	82	2%, 0207 ± MF	R...	0093	57-11-4151	150	2%, 0207 ± MF	
(00)	DL-0017	50-04-2114		RV 5352	GI	IC-0017	73-01-0150	MIN 3980A		MC	Mal	R...	0052	57-11-4103	82	2%, 0207 ± MF	R...	0094	57-11-4151	150	2%, 0207 ± MF	
(00)	DL-0018	50-04-2114		RV 5352	GI	IC-0018	73-01-0150	MIN 3980A		MC	Mal	R...	0053	57-11-4103	82	2%, 0207 ± MF	R...	0095	57-11-4151	150	2%, 0207 ± MF	
(00)	DL-0018	50-04-2114		RV 5352	GI	IC-0019	73-01-0150	MIN 3980A		MC	Mal	R...	0054	57-11-4103	82	2%, 0207 ± MF	R...	0096	57-11-4151	150	2%, 0207 ± MF	
(00)	DL-0019	50-04-2114		RV 5352	GI	MP-0001	1-777-450-12	5 pcs	KEYBOARD PCB	SA	R...	0055	57-11-4103	82	2%, 0207 ± MF	R...	0097	57-11-4151	150	2%, 0207 ± MF		
(00)	DL-0020	50-04-2114		RV 5352	GI	MP-0002	1-777-450-04	3 pcs		SA	R...	0056	57-11-4103	82	2%, 0207 ± MF	R...	0098	57-11-4151	150	2%, 0207 ± MF		
(00)	DL-0020	50-04-2114		RV 5352	GI	MP-0003	1-777-450-01	3 pcs		SA	R...	0057	57-11-4103	82	2%, 0207 ± MF	R...	0099	57-11-4151	150	2%, 0207 ± MF		
(00)	DL-0021	50-04-2115		RV 5352	GI	MP-0004	1-777-450-05	15 pcs		SA	R...	0058	57-11-4103	15 K	2%, 0207 ± MF	R...	0100	57-11-4151	150	2%, 0207 ± MF		
(00)	DL-0022	50-04-2114		RV 5352	GI	J...	0005	54-01-0262	8 PDL	STRIP CIS	AMP	R...	0061	57-11-4103	15 K	2%, 0207 ± MF	R...	0101	57-11-4151	150	2%, 0207 ± MF	
(00)	DL-0023	50-04-2114		RV 5352	GI	J...	0006	54-01-0262	8 PDL	STRIP CIS	AMP	R...	0062	57-11-4103	15 K	2%, 0207 ± MF	R...	0102	57-11-4151	150	2%, 0207 ± MF	
(00)	DL-0023	50-04-2114		RV 5352	GI	Q...	0007	50-03-0436	IC 547 B&C 237 B	SiemTT-ITT	R...	0063	57-11-4103	15 K	2%, 0207 ± MF	R...	0103	57-11-4151	150	2%, 0207 ± MF		
(00)	DL-0024	50-04-2500		RV 5352	GI	Q...	0008	50-03-0436	IC 547 B&C 237 B	SiemTT-ITT	R...	0064	57-11-4103	10 K	2%, 0207 ± MF	R...	0104	57-11-4151	150	2%, 0207 ± MF		
(00)	DL-0025	50-04-2500		RV 5352	GI	Q...	0009	50-03-0436	IC 547 B&C 237 B	SiemTT-ITT	R...	0065	57-11-4103	10 K	2%, 0207 ± MF	R...	0105	57-11-4151	150	2%, 0207 ± MF		
(00)	DL-0025	50-04-2500		RV 5352	GI	Q...	0010	50-03-0436	IC 547 B&C 237 B	SiemTT-ITT	R...	0066	57-11-4103	10 K	2%, 0207 ± MF	R...	0106	57-11-4151	150	2%, 0207 ± MF		
(00)	DL-0026	50-04-2500		RV 5352	GI	Q...	0011	50-03-0436	IC 547 B&C 237 B	SiemTT-ITT	R...	0067	57-11-4103	10 K	2%, 0207 ± MF	R...	0107	57-11-4151	150	2%, 0207 ± MF		
(00)	DL-0027	50-04-2114		RV 5352	GI	Q...	0012	50-03-0436	IC 547 B&C 237 B	SiemTT-ITT	R...	0068	57-11-4103	10 K	2%, 0207 ± MF	R...	0108	57-11-4151	150	2%, 0207 ± MF		

MANUFACTURER: Motorola, General Instruments, Philips, Siemens, AMD, Engineering, C&K, Sanyo, TI, Texas Instruments, ITT-Intermetall, National, Semiconductors.

AUDIO BLOCK DIAGRAM



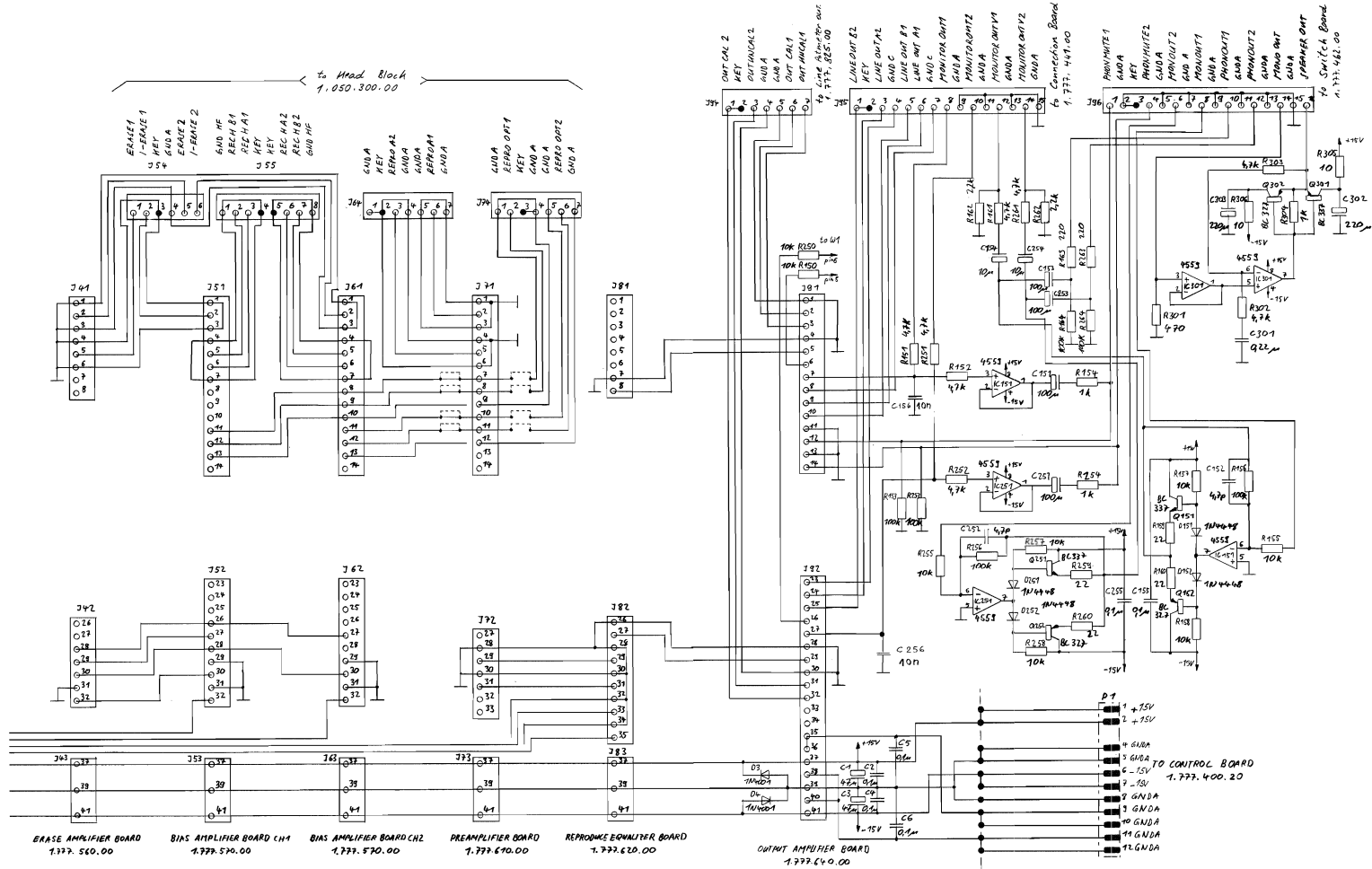
AUDIO BASIS BOARD 1.777.500.81



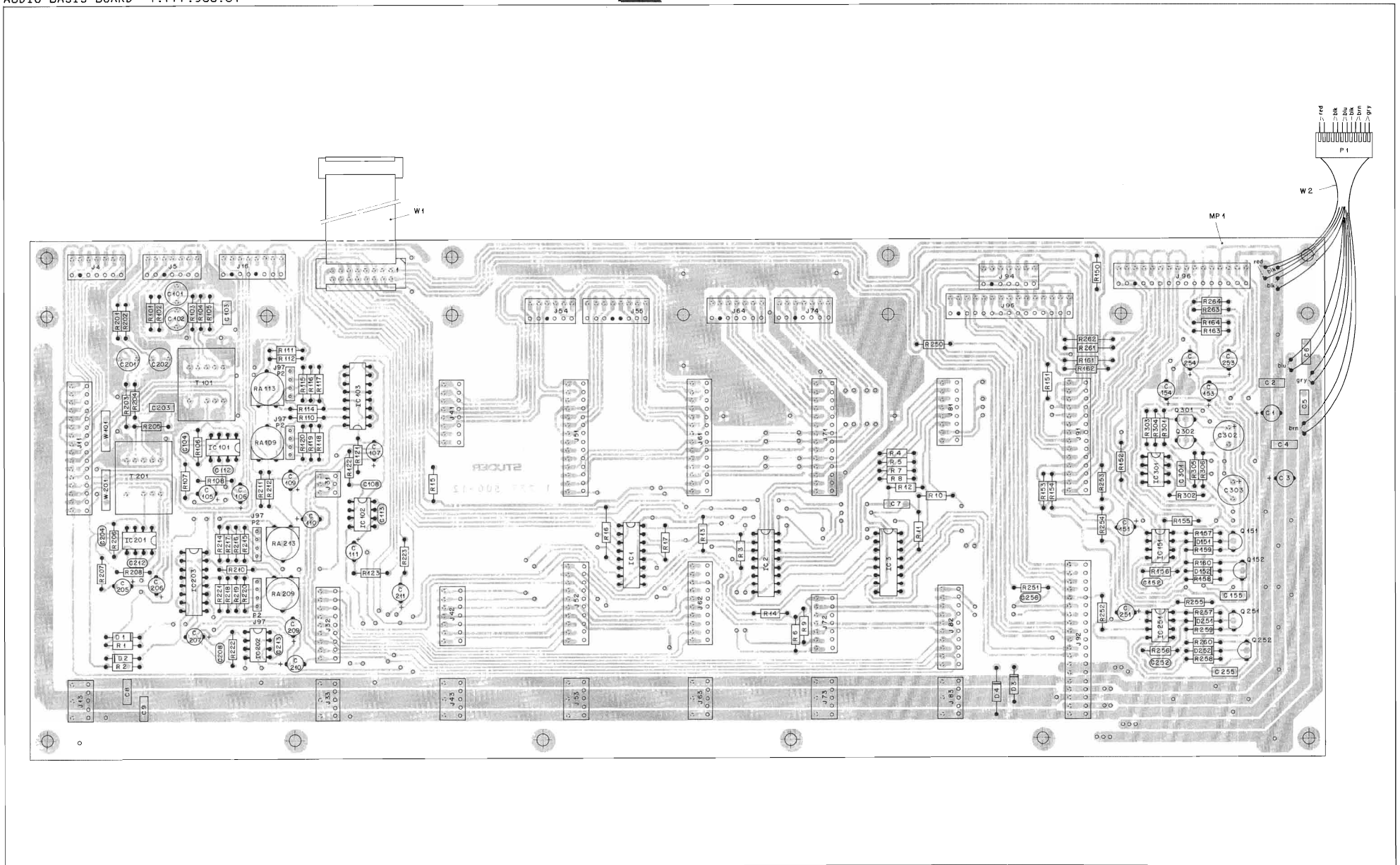
7.1.88	8 JUL 88	C270	PAGE 1 OF 4
STUDER	AUDIO BASIS BOARD	"ESE" SC	1.777.500.81

7.1.88	8 JUL 88	C270	PAGE 2 OF 4
STUDER	AUDIO BASIS BOARD	"ESE" SC	1.777.500.81

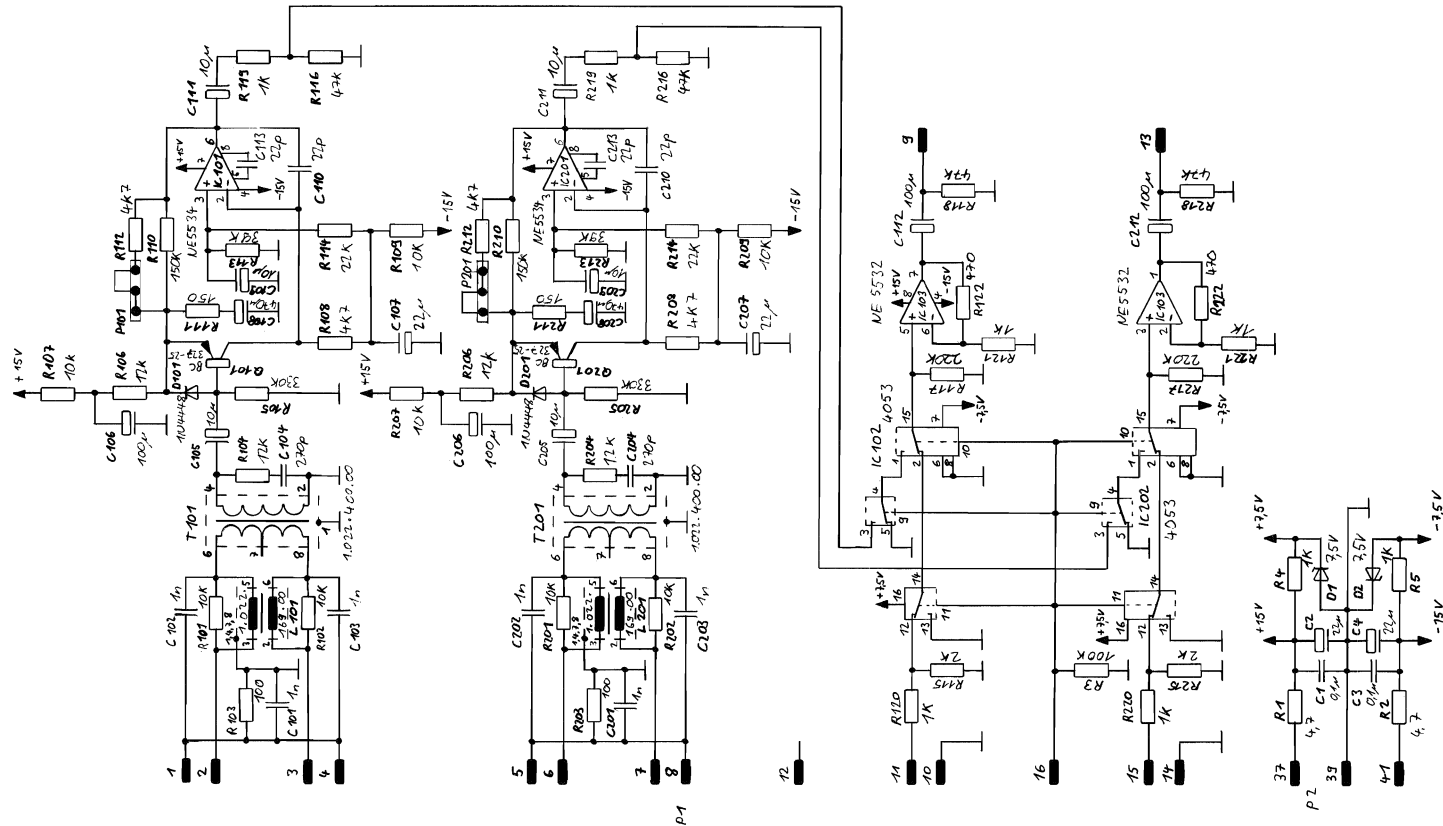
AUDIO BASIS BOARD 1.777.500.81



AUDIO BASIS BOARD 1.777.500.81

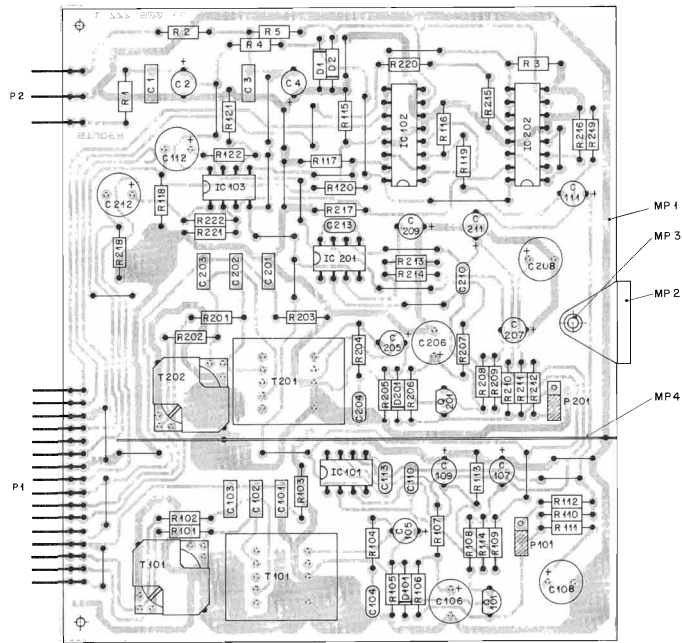


MIC-LINE-SWITCH BOARD 1.777.520.00



4.5.87	C 270	PAGE 1 OF 1
STUDER	MIC-LINE SWITCH BOARD	# "ESE" SC 1.777.520.00

MIC-LINE-SWITCH BOARD 1.777.520.00



IND.	POS.ND.	PART ND.	VALUE	SPECIFICATIONS / EQUIVALENT	MANUF.
C++0001	994.06.0104	+1 U	10%	63V * PEPP	
C++0002	994.12.5320	22 U	-20%	25V * EL	
C++0003	994.06.0104	+1 U	10%	63V * PEPP	
C++0004	994.22.5320	22 U	-20%	25V * EL	
C++0101	994.06.0102	1000 P		10%	63V * PEPP
C++0102	994.06.0102	1000 P		10%	63V * PEPP
C++0103	994.06.0102	1000 P		10%	63V * PEPP
C++0104	994.34.4271	270 P		5%	N750 * CER
C++0105	994.22.5101	10 U		-20%	25V * EL
C++0106	994.22.5101	100 U		-20%	25V * EL
C++0107	994.22.5101	22 U		-20%	25V * EL
C++0108	994.22.2471	470 U		-20%	63V * EL
C++0109	994.22.5101	10 U		-20%	25V * EL
C++0110	994.34.4220	22 P		5%	N150 * CER
C++0111	994.22.5101	100 U		-20%	25V * EL
C++0112	994.22.5101	100 U		-20%	25V * EL
C++0113	994.22.5101	22 P		5%	N150 * CER
C++0201	994.06.0102	1000 P		10%	63V * PEPP
C++0202	994.06.0102	1000 P		10%	63V * PEPP
C++0203	994.06.0102	1000 P		10%	63V * PEPP
C++0204	994.34.4271	270 P		5%	N750 * CER
C++0205	994.22.5101	10 U		-20%	25V * EL
C++0206	994.22.5101	100 U		-20%	25V * EL
C++0207	994.22.5101	22 U		-20%	25V * EL
C++0208	994.22.2471	470 U		-20%	63V * EL
C++0209	994.22.5101	10 U		-20%	25V * EL
C++0210	994.34.4220	22 P		5%	N150 * CER
C++0211	994.22.5101	100 U		-20%	25V * EL
C++0212	994.22.5101	100 U		-20%	25V * EL
C++0213	994.34.4220	22 P		5%	N150 * CER
D++0001	50.09.4103	7.5 V	5%	+40% -2%	
D++0002	50.09.4103	7.5 V	5%	+40% -2%	
D++0101	50.09.0125	1M 4448			SI
D++0201	50.09.0125	1M 4448			SI

IC++0101 50.05.0243 NE 5534N NE 5534P *OPAMP
 S T U D E R (00) 86/09/15 MIC-LINE-SWITCH BOARD 1.777.520.00 PAGE 1

IND.	POS.ND.	PART ND.	VALUE	SPECIFICATIONS / EQUIVALENT	MANUF.
T++0101	1.022.400.00			INPUT TRANSFORMATOR 114	
T++0201	1.022.400.00			INPUT TRANSFORMATOR 114	

MANUFACTURER: Mot-Motorola NS-National Semiconductors Phi-Philips
 Sig-Signetics, Sst-Scudder, TI-Texas Instruments.

DRIG 86/09/15
 S T U D E R (00) 86/09/15 MIC-LINE-SWITCH BOARD 1.777.520.00 PAGE 4

IND.	POS.ND.	PART ND.	VALUE	SPECIFICATIONS / EQUIVALENT	MANUF.
IC++0102	50.07.0915			MC 14 0538P.CD 4053 BCN+A	
IC++0103	50.09.0105	NE 5532N		NE 5532P *OPAMP	
IC++0104	50.09.0243	NE 5534N		NE 5534P *OPAMP	
IC++0202	50.07.0915			MC 14 0538P.CD 4053 BCN+A	
J++0201	54.01.0021			JUMPER	
J++0201	54.01.0021			JUMPER	
L++0101	1.022.169.00			HF ASM. COIL	
L++0201	1.022.169.00			HF ASM. COIL	
MP-0001	1.777.520.11			MIC-LINE SWITCH BOARD	
MP-0002	1.010.001.33			GAP	
MP-0003	29.21.1360	DZ-2595		TUBULAR RESISTOR	
MP-0004	1.777.520.01			SCREEN-SHEET-METAL	
P++0001	54.01.0276	16 POL.		STRIP CIS ANGLE	
P++0002	54.01.0649	3 POL.		STRIP CIS ANGLE	
P++0101	54.01.0020	3 pcs		PIN HS=4/2 L (+036-03)	
P++0201	54.01.0020	3 pcs		PIN HS=5/3 L (+036-03)	
Q++0101	50.03.0351	BC 327-25			
Q++0201	50.03.0351	BC 327-25			
R++0001	57.11.4479	6.7		2%, 0207 * MF	
R++0002	57.11.4479	6.7		2%, 0207 * MF	
R++0003	57.11.4104	100 K		2%, 0207 * MF	
R++0004	57.11.4102	1 K		2%, 0207 * MF	
R++0005	57.11.4102	1 K		2%, 0207 * MF	
R++0101	57.11.4103	10 K		2%, 0207 * MF	
R++0102	57.11.4103	10 K		2%, 0207 * MF	
R++0103	57.11.4101	100		2%, 0207 * MF	
R++0104	57.11.4103	12 K		2%, 0207 * MF	
R++0105	57.11.4334	330 K		2%, 0207 * MF	
R++0106	57.11.4103	12 K		2%, 0207 * MF	
R++0107	57.11.4103	10 K		2%, 0207 * MF	
R++0108	57.11.4472	6.7 K		2%, 0207 * MF	

S T U D E R (00) 86/09/15 MIC-LINE-SWITCH BOARD 1.777.520.00 PAGE 2

IND.	POS.ND.	PART ND.	VALUE	SPECIFICATIONS / EQUIVALENT	MANUF.
R++0109	57.11.4103	10 K		2%, 0207 * MF	
R++0110	57.11.3114	110 K		1%, 0207 * MF	
R++0111	57.11.4102	1 K		2%, 0207 * MF	
R++0112	57.11.3242	2.4 K		1%, 0207 * MF	
R++0113	57.11.4395	39 K		2%, 0207 * MF	
R++0114	57.11.4223	22 K		2%, 0207 * MF	
R++0115	57.11.3202	2 K		1%, 0207 * MF	
R++0116	57.11.4473	6.7 K		2%, 0207 * MF	
R++0117	57.11.4224	220 K		2%, 0207 * MF	
R++0118	57.11.4473	6.7 K		2%, 0207 * MF	
R++0119	57.11.4102	1 K		2%, 0207 * MF	
R++0120	57.11.4102	1 K		2%, 0207 * MF	
R++0121	57.11.4102	1 K		2%, 0207 * MF	
R++0122	57.11.4471	470 K		2%, 0207 * MF	
R++0201	57.11.4103	10 K		2%, 0207 * MF	
R++0202	57.11.4103	10 K		2%, 0207 * MF	
R++0203	57.11.4101	100		2%, 0207 * MF	
R++0204	57.11.4103	12 K		2%, 0207 * MF	
R++0205	57.11.4334	330 K		2%, 0207 * MF	
R++0206	57.11.4103	12 K		2%, 0207 * MF	
R++0207	57.11.4103	10 K		2%, 0207 * MF	
R++0208	57.11.4472	6.7 K		2%, 0207 * MF	
R++0209	57.11.4103	10 K		2%, 0207 * MF	
R++0210	57.11.3114	110 K		1%, 0207 * MF	
R++0211	57.11.4102	1 K		2%, 0207 * MF	
R++0212	57.11.3242	2.4 K		1%, 0207 * MF	
R++0213	57.11.4395	39 K		2%, 0207 * MF	
R++0214	57.11.4223	22 K		2%, 0207 * MF	
R++0215	57.11.3202	2 K		1%, 0207 * MF	
R++0216	57.11.4473	6.7 K		2%, 0207 * MF	
R++0217	57.11.4224	220 K		2%, 0207 * MF	
R++0218	57.11.4473	6.7 K		2%, 0207 * MF	
R++0219	57.11.4102	1 K		2%, 0207 * MF	
R++0220	57.11.4102	1 K		2%, 0207 * MF	
R++0221	57.11.4102	1 K		2%, 0207 * MF	
R++0222	57.11.4471	470		2%, 0207 * MF	

S T U D E R (00) 86/09/15 MIC-LINE-SWITCH BOARD 1.777.520.00 PAGE 3

Einbauanleitung für die Mikrofonoption C270

Bausatz: 1 Stk. Mikrofonoption Print 1.777.520.00
2 Stk. Fuehrungsschienen 1.088.300.07

Hilfsmittel: Sechskantschluesse1 No.2,5
Kreuzschraubendreher No.2

Anleitung:

- Geraet von seiner Stromzufuhr trennen.
- Gehaeuse entfernen durch Loesen der 8 seitlichen IS-Schrauben und der 4 Fussleisten-Befestigungsschrauben.
- Das VU-Meter Panel nach Loesen der 4 IS-Schrauben nach oben klappen.
- Die 2 Drahtbruecken W101 und W201 **(A)** auf dem AUDIO BASIS PRINT oeffnen. Freies Ende nach unten druecken und seitlich aus der Verankerung ausfahren.
- Die 2 Fuehrungsschienen in die vorbereiteten Montageloecher, ganz links, einsetzen und einschnappen lassen.
- Auf Print 1.777.520.00 mit P101 (CH1) und P201 (CH2) **(B)** die Eingangsempfindlichkeit LOW (-70 bis -36 dBu) oder HIGH (-38 bis -8 dBu) waehlen.
- Print 1.777.520.00 in die Steckerleisten J11 und J13 **(C)** des AUDIO BASIS PRINTs 1.777.500.81 einsetzen.
- Auf dem CONTROL PRINT 1.777.400.22 Schalter 6 des DIL-Schalters SZ1 **(D)** auf Position ON stellen (siehe Fig. 2).
- VU-Meter Panel schliessen, Gehaeuse montieren.

Hinweis: Nach diesem Umbau sind keine Einstellarbeiten notwendig.
Fuer die Anwendung bitte Bedienungsanleitung konsultieren.

Installation Instructions for the Mic Option Board C270

Kit: 1 Mic Option Board 1.777.520.00
2 Plastic guide rails 1.088.300.07

Tools: Allen key no.2,5
Cross head screw driver no.2

Instructions:

- Disconnect the unit from its power supply.
- Remove the housing after unscrewing the 8 allen key screws to be found 4 on each side and the units feet by loosening 2 cross head screws each.
- Fold up the VU meter panel after loosening the 4 corresponding allen key screws.
- Disconnect the 2 wire bridges W101 and W201 **(A)** to be found on the AUDIO BASIS BOARD. Push the free end downwards and to the side to loosen it from its contact point.
- Install the two plastic guide rails in their foreseen place (all to the left). Make sure that rails snap in properly.
- Select with P101 (CH1) and P201 (CH2) **(B)** on PCB 1.777.520.00 the wanted input sensitivity, LOW (-70 to -36 dBu) or HIGH (-38 to -8 dBu).
- Insert board 1.777.520.00 into the connectors J11 and J13 **(C)** to be found on the AUDIO BASISD BOARD 1.777.500.81.
- Set switch 6 of the DIL switch SZ1 **(D)** to its ON position, to be found on the CONTROL BOARD 1.777.400.22 (see fig. 2).
- Reinstall VU meter panel and housing.

Attention: After this installation no realignment is needed.
To operate please consult the operating manual.

Instruction de montage pour l'option microphone C270.

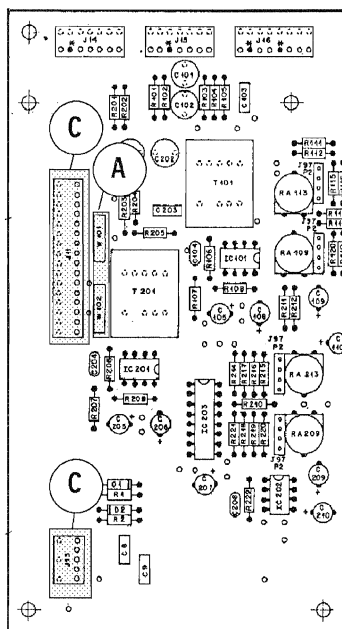
Contenu: 1 carte option microphone 1.777.520.00
2 glissières de guidage 1.088.300.07

Outils: clé 6-pans No.2.5
Tourne-vis à croix No.2

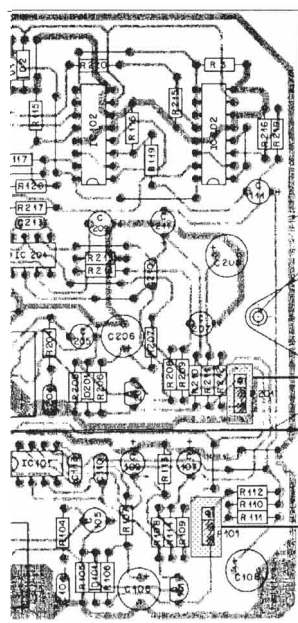
Instructions:

- retirer la fiche secteur.
- enlever le boîtier après avoir retiré les 8 vis 6-pans latérales ainsi que les 4 vis des pieds.
- ouvrir vers le haut le panneau des VU-mètres après avoir retiré les 4 vis 6-pans.
- ouvrir les 2 contacts W101 et W201 (A) du AUDIO BASIS PRINT: peser sur l'extrémité libre et dégager le contact sur le côté.
- introduire les 2 glissières dans les trous prévus à cet effet, tout à gauche des cartes audio.
- Sur le circuit 1.777.520.00 choisir la sensibilité d'entrée à l'aide de P101 (CH1) et de P201 (CH2) (B). LOW (-70 à -36 dBu) ou HIGH (-38 à -8 dBu).
- introduire la carte 1.777.520.00 dans les contacts J11 et J13 (C) de la carte AUDIO BASIS PRINT 1.777.500.81.
- mettre le 6e contact de l'interrupteur DIL SZ1 (D) en position ON, sur la carte CONTROL PRINT 1.777.400.22.
- refermer le panneau VU-mètres et le boîtier.

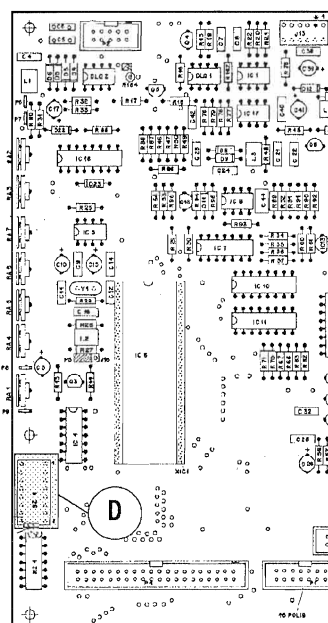
Remarques: - Cette modification ne nécessite pas de réglage de l'appareil. Consulter aussi le mode d'emploi.



1.777.500.81

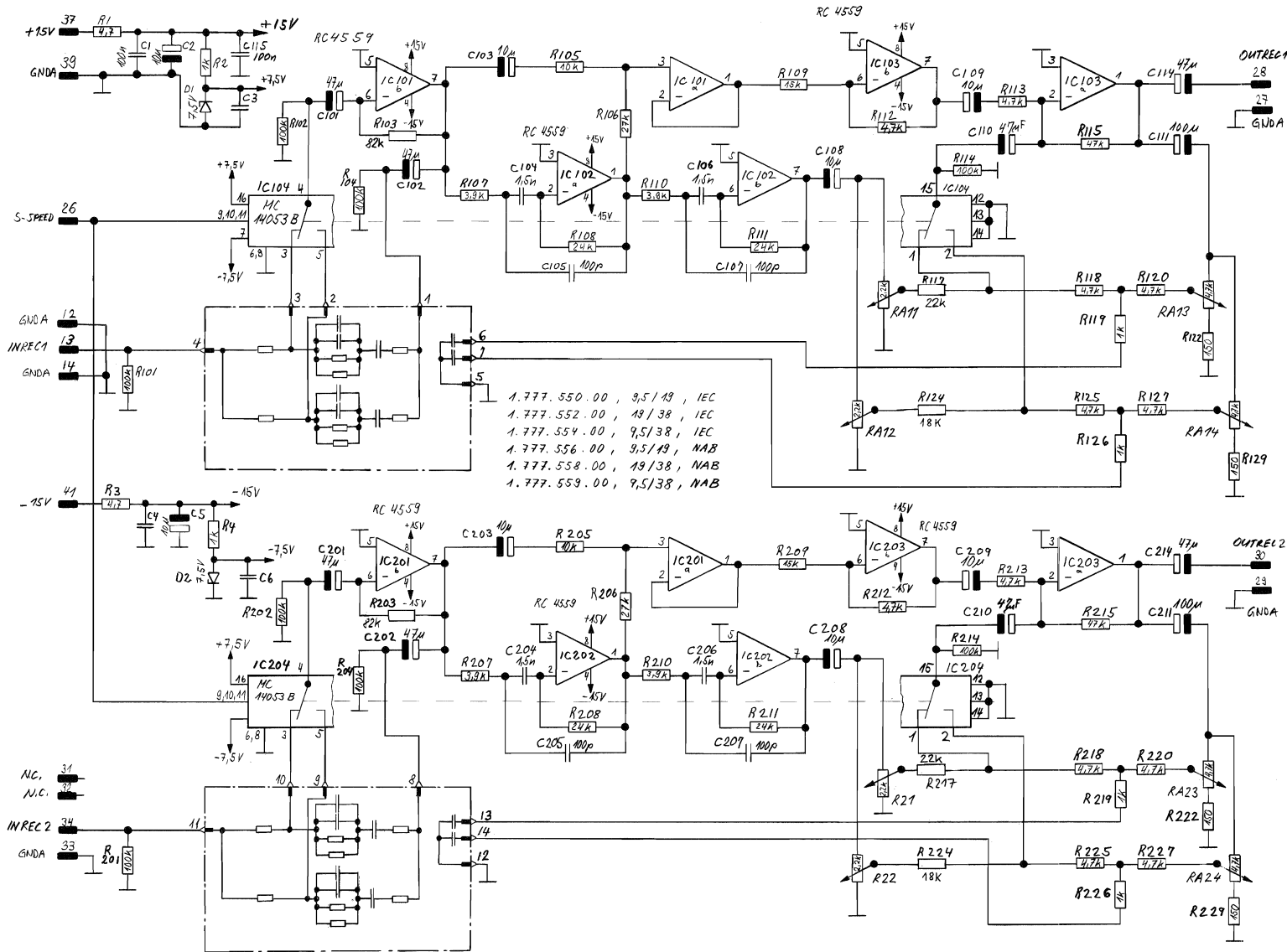


1.777.520.00



1.777.400.22

RECORD EQUALIZER BOARD 1.777.540.00



018.1.87 01 J. J. H. 12.8.87 J. M. Egl. 03.02.88

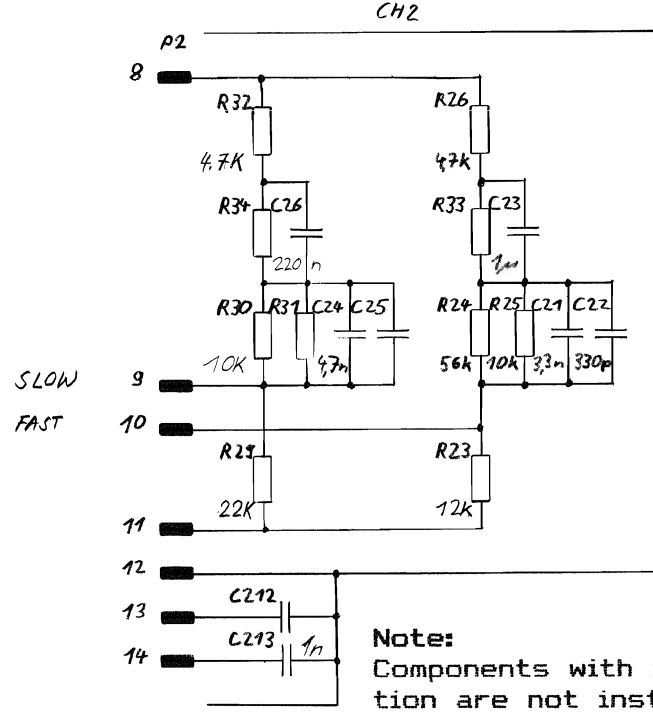
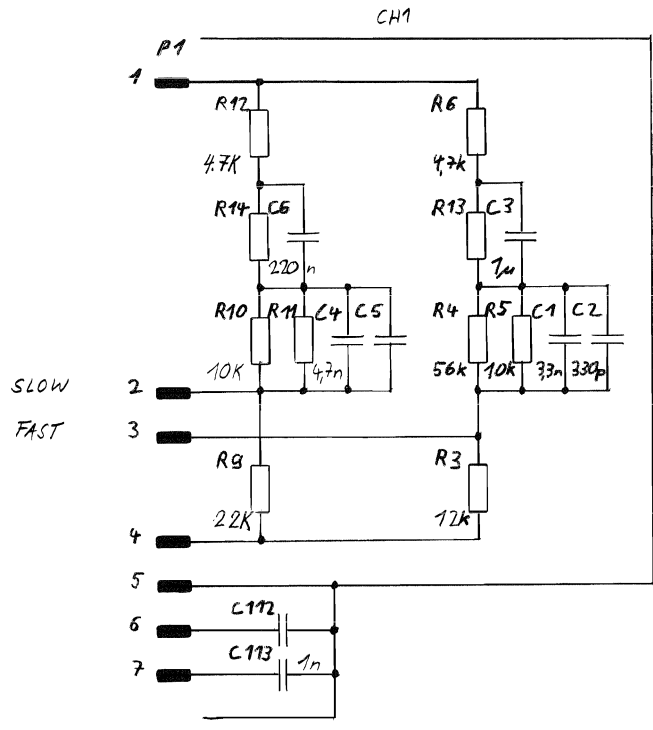
C270

STUDER

"ESE" SC 1.777.540.00

PAGE 1 OF 1

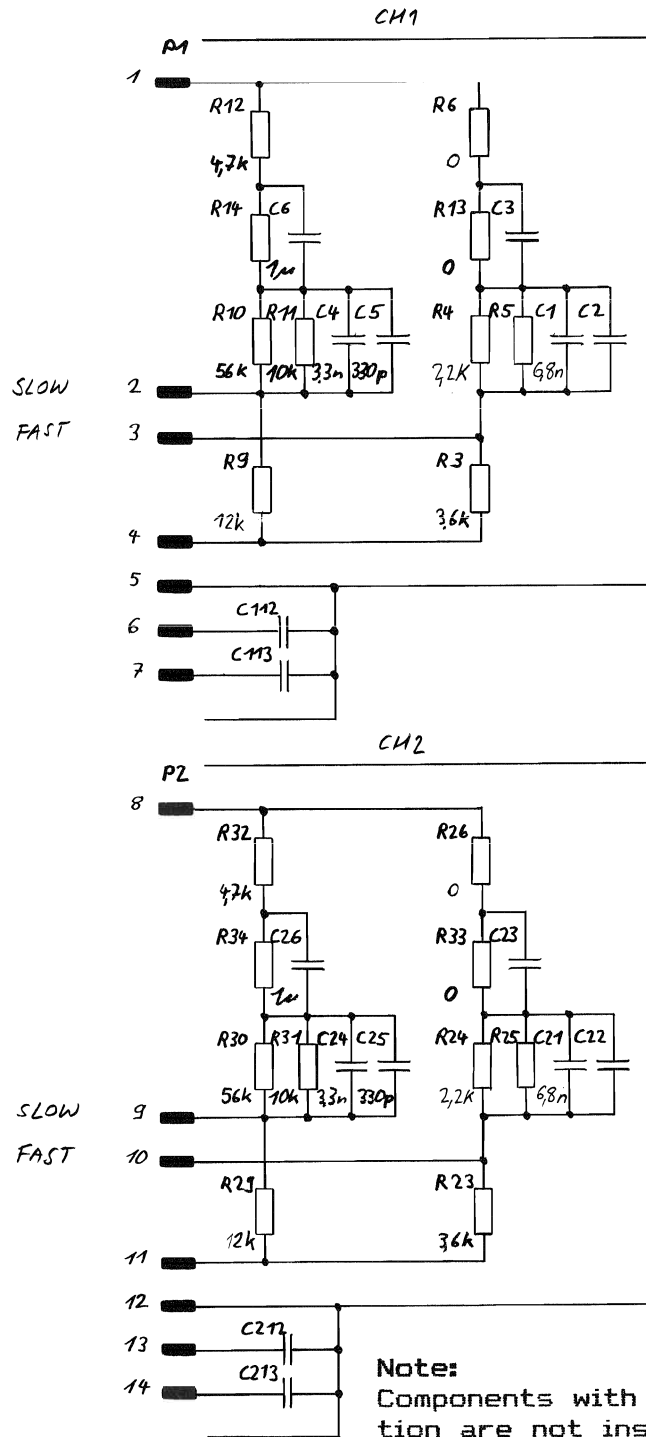
RECORD SPEED BOARD 9.5/19 IEC 1.777.550.00



Note:
Components with no value indication are not installed.

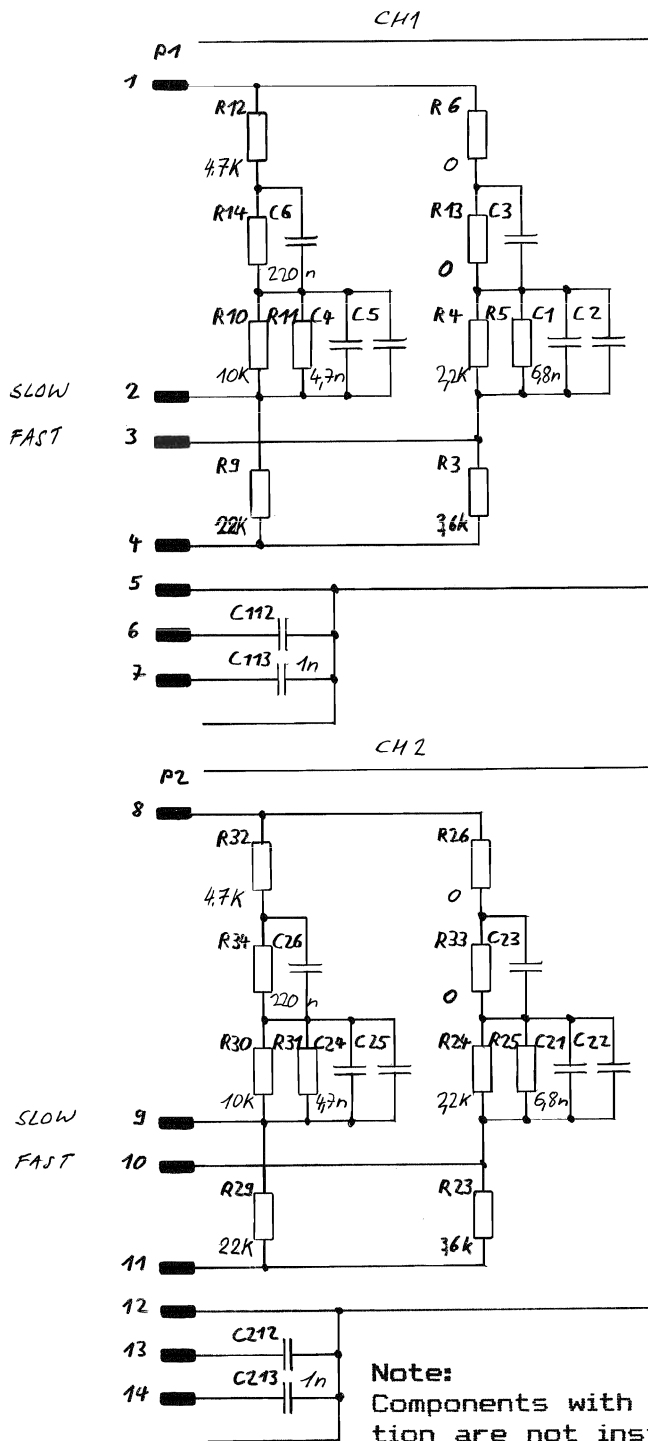
① 232.87	② 15.09.87	③ 03.02.88	○ ..	○ ..
C270			PAGE 1 OF 1	
STUDER	RECORD SPEED B.9.5/19 IEC (3.75/7.5)	SC	1.777.550.00	

RECORD SPEED BOARD 19/38 IEC 1.777.552.00



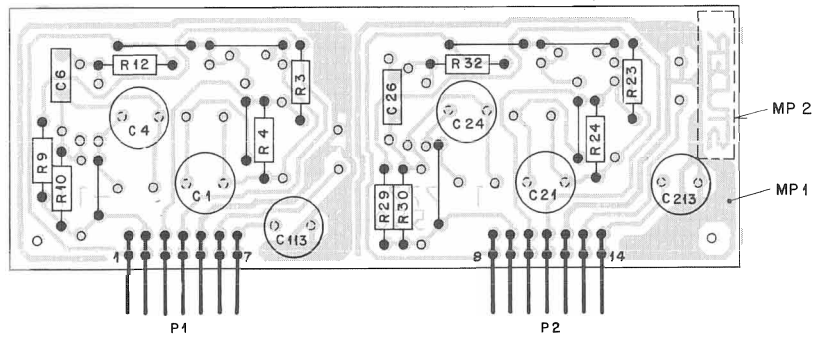
① 232.8747 EA	① 177.87 J. U. EA	② 15098787	○ ..	○ ..
C270			PAGE 1 OF 1	
STUDER	RECORD SPEED B. 19/38 IEC (7,5/15)	SC	1.777.552.00	

RECORD SPEED BOARD 9.5/38 IEC 1.777.554.00



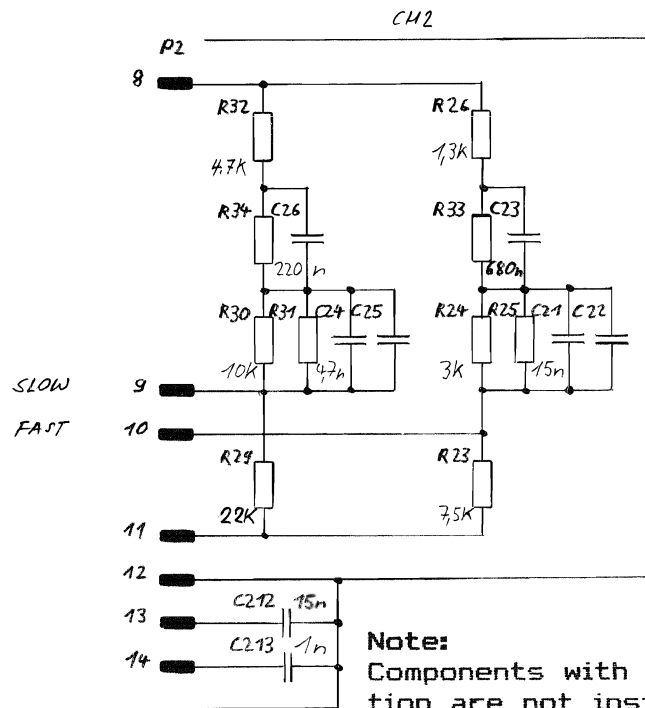
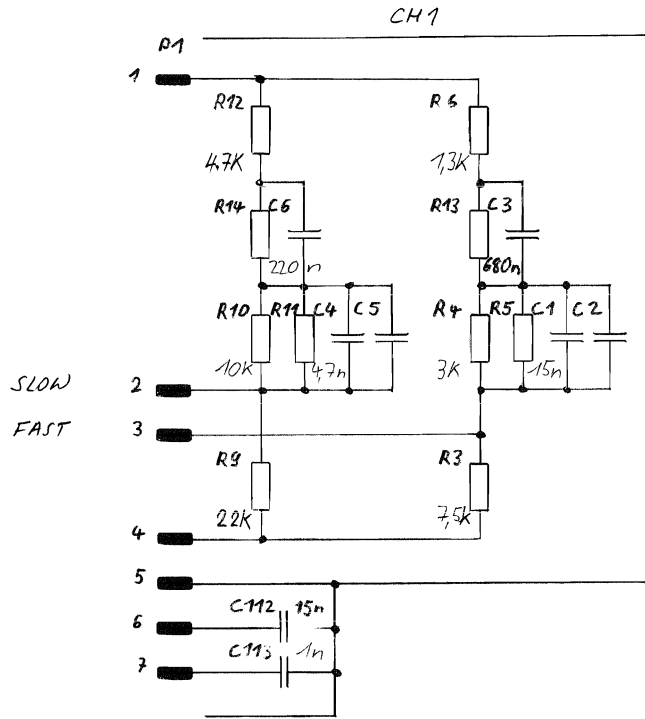
① 232.873 EN	② 1509879. Revision	③ 03.02.88	⊕	⊙ ..	⊙ ..
C 270			PAGE 1 OF 1		
STUDER	RECORD SPEED B. 9.5 / 38	IEC (3,75/15)	SC	1.777.554.00	

RECORD SPEED BOARD 9.5/38 IEC 1.777.554.00



IND.	POS.-NO.	PART NO.	VALUE	SPECIFICATIONS / EQUIVALENT	MANUF.	IND.	POS.-NO.	PART NO.	VALUE	SPECIFICATIONS / EQUIVALENT	MANUF.
(00)	C..0001	59.05.2222	2200 P	2.5% 160V PP		(00)	R..0012	57.11.3222	2.2 K	1% 0207 MF	
(01)	C..0001	59.05.2682	6800 P	2.5% 63V PP		(01)	R..0012	57.11.3102	1 K	1% 0207 MF	
(00)	C..0004	59.05.2103	.01 U	2.5% 63V PP		(02)	R..0012	57.11.4472	4.7 K	2% 0207 MF	
(01)	C..0004	59.05.2472	4700 P	2.5% 63V PP		(00)	R..0023	57.11.3362	3.6 K	1% 0207 MF	
(00)	C..0005	59.05.2332	3300 P	2.5% 160V PP		(00)	R..0024	57.11.3392	3.9 K	1% 0207 MF	
(01)	C..0005			not connected		(01)	R..0024	57.11.3222	2.2 K	1% 0207 MF	
(00)	C..0006	59.06.5474	.47 U	5% 63V PETP		(00)	R..0025	57.11.3472	4.7 K	1% 0207 MF	
(01)	C..0006	59.06.5224	.22 U	5% 63V PETP		(01)	R..0025			not connected	
(00)	C..0021	59.05.2222	2200 P	2.5% 160V PP		(00)	R..0026	57.11.3101	100	1% 0207 MF	
(01)	C..0021	59.05.2682	6800 P	2.5% 63V PP		(01)	R..0026	1.010.324.64	0	WIRING BRIDGE	
(00)	C..0024	59.05.2103	.01 U	2.5% 63V PP		(00)	R..0029	57.11.3103	10 K	1% 0207 MF	
(01)	C..0024	59.05.2472	4700 P	2.5% 63V PP		(01)	R..0029	57.11.3183	18 K	1% 0207 MF	
(00)	C..0025	59.05.2332	3300 P	2.5% 160V PP		(02)	R..0029	57.11.4223	22 K	2% 0207 MF	
(01)	C..0025			not connected		(00)	R..0030	57.11.3672	4.7 K	1% 0207 MF	
(00)	C..0026	59.06.5474	.47 U	5% 63V PETP		(01)	R..0030	57.11.3103	10 K	1% 0207 MF	
(01)	C..0026	59.06.5224	.22 U	5% 63V PETP		(00)	R..0032	57.11.3222	2.2 K	1% 0207 MF	
(01)	C..0113	59.05.2102	1000 P	2.5% 630V PP		(01)	R..0032	57.11.3102	1 K	1% 0207 MF	
(01)	C..0213	59.05.2102	1000 P	2.5% 630V PP		(02)	R..0032	57.11.4472	4.7 K	2% 0207 MF	
MP..0001	1.777.554.11			RECORD SPEED BOARD PCB							
MP..0002	1.777.554.01			LABEL							
P..0001	54.01.0223		7 POL.	STRIP CIS							
P..0002	54.01.0223		7 POL.	STRIP CIS							
R..0003	57.11.3362		3.6 K	1% 0207 MF							
(00)	R..0004	57.11.3392	3.9 K	1% 0207 MF							
(01)	R..0004	57.11.3222	2.2 K	1% 0207 MF							
(00)	R..0005	57.11.3472	4.7 K	1% 0207 MF							
(01)	R..0005			not connected							
(00)	R..0006	57.11.3101	100	1% 0207 MF							
(01)	R..0006	1.010.324.64	0	WIRING BRIDGE							
(00)	R..0009	57.11.3103	10 K	1% 0207 MF		(01)	15.09.87	Value adjust			
(01)	R..0009	57.11.3183	18 K	1% 0207 MF		(02)	03.02.88	Value adjust			
(02)	R..0009	57.11.4223	22 K	2% 0207 MF							
(00)	R..0010	57.11.3472	4.7 K	1% 0207 MF							
(01)	R..0010	57.11.3103	10 K	1% 0207 MF							
S T U D E R (02) 88/02/03 RECORD SPEED BOARD 9.5/38 IEC 1.777.554.00 PAGE 1						O R I G 86/09/16 (01) 87/09/15 (02) 88/02/03					
S T U D E R (02) 88/02/03 RECORD SPEED BOARD 9.5/38 IEC 1.777.554.00 PAGE 2											

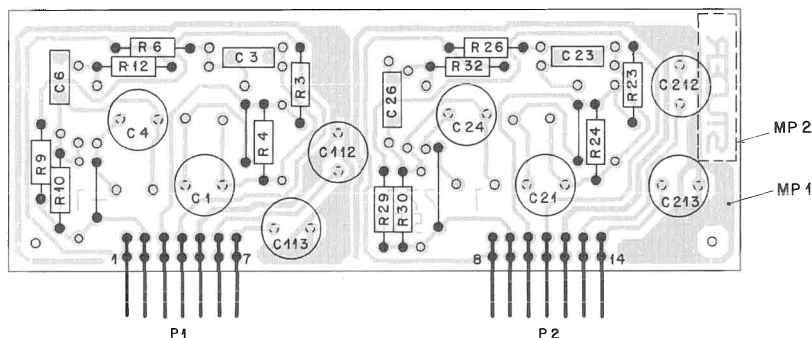
RECORD SPEED BOARD 9.5/19 NAB 1.777.556.00



Note:
Components with no value indication are not installed.

① 23.2.87 Zi FK	① 15.09.87 E. B. Müller	② 03.02.88	○ ..	○ ..
C270			PAGE 1 OF 1	
STUDER	RECORD SPEED B.9.5/19 NAB(3,75/7,5)	SC	1.777.556.00	

RECORD SPEED BOARD 9.5/19 NAB 1.777.556.00



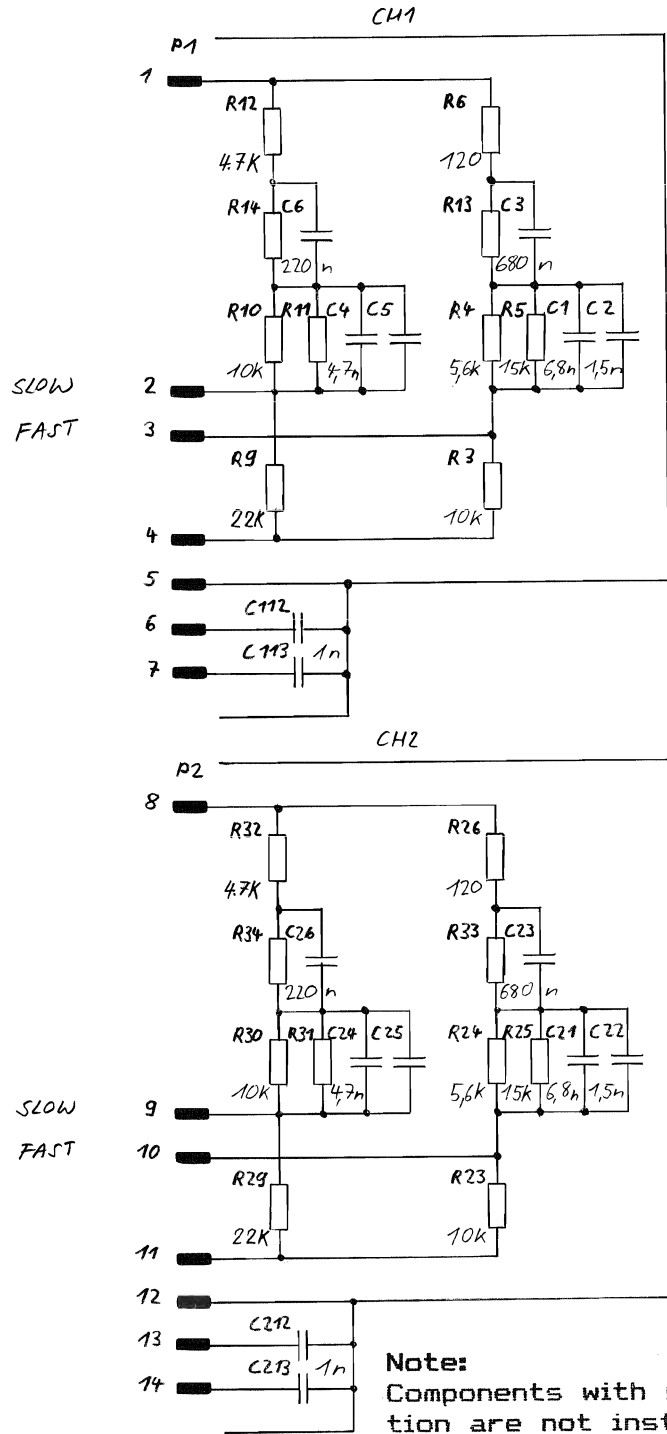
IND.	POS. NO.	PART NO.	VALUE	SPECIFICATIONS / EQUIVALENT	MANUF.
(00)	C..0001	59.05.2682	6800 P	2.5%, 63V, PP	
(01)	C..0001	59.05.2153	.015 U	2.5%, 63V, PP	
(00)	C..0002	59.05.2682	6800 P	2.5%, 63V, PP	
(01)	C..0002			not connected	
(00)	C..0003	59.06.5684	.68 U	5%, 50V, PETP	
(00)	C..0004	59.05.2103	.01 U	2.5%, 63V, PP	
(01)	C..0004	59.05.2472	4700 P	2.5%, 63V, PP	
(00)	C..0005	59.05.2332	3300 P	2.5%, 160V, PP	
(01)	C..0005			not connected	
(00)	C..0006	59.06.5474	.47 U	5%, 63V, PETP	
(01)	C..0006	59.06.5224	.22 U	5%, 63V, PETP	
(00)	C..0021	59.05.2682	6800 P	2.5%, 63V, PP	
(01)	C..0021	59.05.2153	.015 U	2.5%, 63V, PP	
(00)	C..0022	59.05.2682	6800 P	2.5%, 63V, PP	
(01)	C..0022			not connected	
(00)	C..0023	59.06.5684	.68 U	5%, 50V, PETP	
(00)	C..0024	59.05.2103	.01 U	2.5%, 63V, PP	
(01)	C..0024	59.05.2472	4700 P	2.5%, 63V, PP	
(00)	C..0025	59.05.2332	3300 P	2.5%, 160V, PP	
(01)	C..0025			not connected	
(00)	C..0026	59.06.5474	.47 U	5%, 63V, PETP	
(01)	C..0026	59.06.5224	.22 U	5%, 63V, PETP	
(00)	C..0112	59.05.2153	.015 U	2.5%, 63V, PP	
(00)	C..0113	59.05.2153	.015 U	2.5%, 63V, PP	
(01)	C..0113	59.05.2102	1000 P	2.5%, 630V, PP	
(00)	C..0212	59.05.2153	.015 U	2.5%, 63V, PP	
(00)	C..0213	59.05.2153	.015 U	2.5%, 63V, PP	
(01)	C..0213	59.05.2102	1000 P	2.5%, 630V, PP	

IND.	POS. NO.	PART NO.	VALUE	SPECIFICATIONS / EQUIVALENT	MANUF.
(00)	R..0004	57.11.3332	3.3 K	1%, 0207, MF	
(01)	R..0004	57.11.3302	3 K	1%, 0207, MF	
(00)	R..0006	57.11.3152	1.5 K	1%, 0207, MF	
(01)	R..0006	57.11.3132	1.3 K	1%, 0207, MF	
(00)	R..0009	57.11.3103	10 K	1%, 0207, MF	
(01)	R..0009	57.11.3193	19 K	1%, 0207, MF	
(02)	R..0009	57.11.4223	22 K	2%, 0207, MF	
(00)	R..0010	57.11.3472	4.7 K	1%, 0207, MF	
(01)	R..0010	57.11.3103	10 K	1%, 0207, MF	
(00)	R..0012	57.11.3222	2.2 K	1%, 0207, MF	
(01)	R..0012	57.11.3102	1 K	1%, 0207, MF	
(02)	R..0012	57.11.4472	4.7 K	2%, 0207, MF	
(00)	R..0023	57.11.3822	8.2 K	1%, 0207, MF	
(01)	R..0023	57.11.3752	7.5 K	1%, 0207, MF	
(00)	R..0024	57.11.3332	3.3 K	1%, 0207, MF	
(01)	R..0024	57.11.3302	3 K	1%, 0207, MF	
(00)	R..0026	57.11.3152	1.5 K	1%, 0207, MF	
(01)	R..0026	57.11.3132	1.3 K	1%, 0207, MF	
(00)	R..0025	57.11.3103	10 K	1%, 0207, MF	
(01)	R..0025	57.11.3193	19 K	1%, 0207, MF	
(02)	R..0025	57.11.4223	22 K	2%, 0207, MF	
(00)	R..0030	57.11.3472	4.7 K	1%, 0207, MF	
(01)	R..0030	57.11.3103	10 K	1%, 0207, MF	
(00)	R..0032	57.11.3222	2.2 K	1%, 0207, MF	
(01)	R..0032	57.11.3102	1 K	1%, 0207, MF	
(02)	R..0032	57.11.4472	4.7 K	2%, 0207, MF	

MP..0001 1.777.550.11 RECORD SPEED BOARD PCB LABEL
 MP..0002 1.777.556.01
 P..0001 54.01.0223 7 POL. STRIP CIS
 P..0002 54.01.0223 7 POL. STRIP CIS
 R..0003 57.11.3822 8.2 K 1%, 0207, MF
 R..0003 57.11.3752 7.5 K 1%, 0207, MF

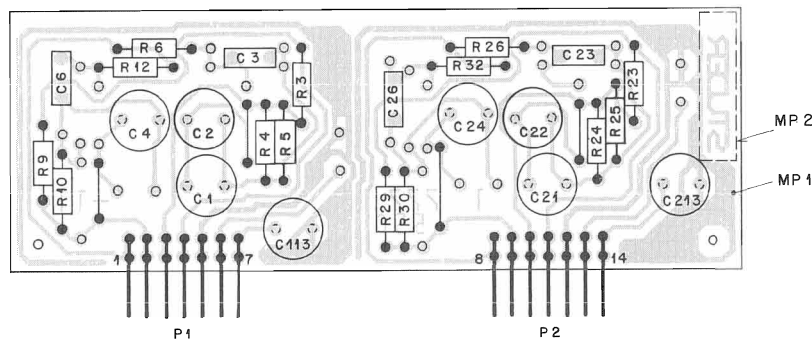
(01) 15.09.87 Value adjust
 (02) 03.02.88 Value adjust
 ORIG 86/09/16 (01) 87/09/15 (02) 88/02/03
 S T U D E R (02) 88/02/03 RECORD SPEED BOARD 9.5/19 NAB 1.777.556.00 PAGE 1
 S T U D E R (02) 88/02/03 RECORD SPEED BOARD 9.5/19 NAB 1.777.556.00 PAGE 2

RECORD SPEED BOARD 9.5/38 NAB 1.777.559.00



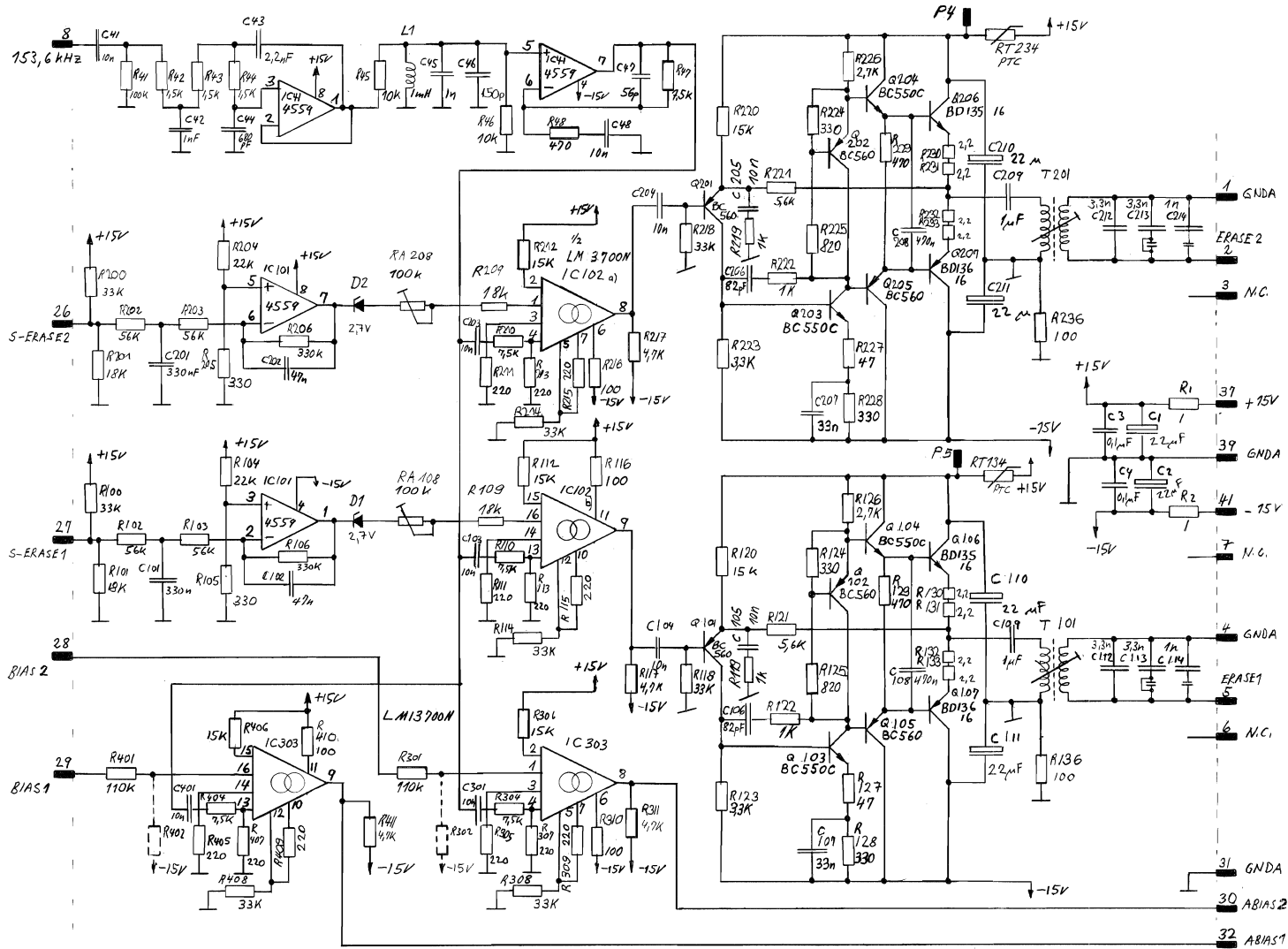
① 23.2.87	① 15.03.87 E. Bin...	② 03.02.88	○ ..	○ ..
C270			PAGE 1 OF 1	
STUDER	RECORD SPEED B. 9.5 / 38 NAB(3,75/15) SC	1.777.559.00		

RECORD SPEED BOARD 9.5/38 NAB 1.777.559.00



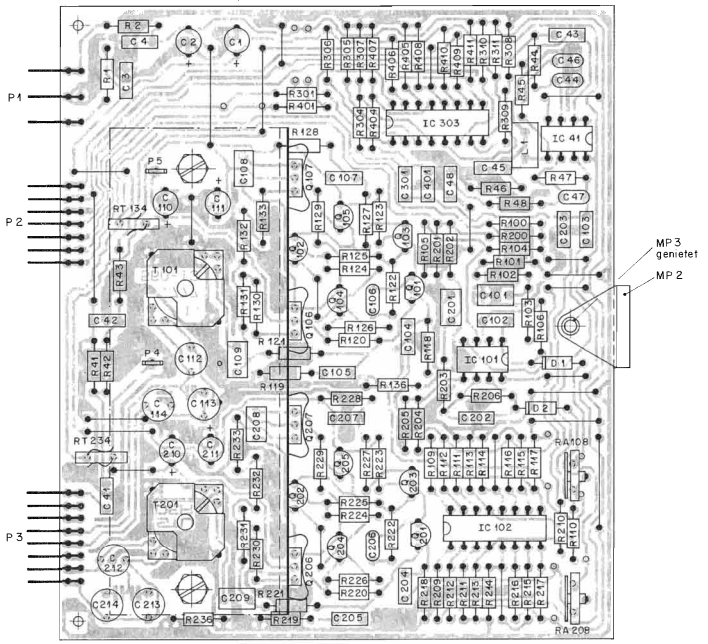
IND.	POS. NO.	PART NO.	VALUE	SPECIFICATIONS / EQUIVALENT	MANUF.	IND.	POS. NO.	PART NO.	VALUE	SPECIFICATIONS / EQUIVALENT	MANUF.
(00)	C..0001	59.05.2103	.01 U	2.5% 63V PP		(01)	R..0005	57.11.3153	15 K	1% 0207 MF	
(01)	C..0001	59.05.2682	6800 P	2.5% 63V PP		(00)	R..0006	57.11.3101	100	1% 0207 MF	
(01)	C..0002	59.05.2152	1500 P	2.5% 160V PP		(01)	R..0006	57.11.3121	120	1% 0207 MF	
(00)	C..0003	59.06.5105	1 U	5% 50V PETP		(00)	R..0009	57.11.3103	10 K	1% 0207 MF	
(01)	C..0003	59.06.5684	.68 U	5% 50V PETP		(01)	R..0009	57.11.3103	18 K	1% 0207 MF	
(00)	C..0004	59.05.2103	.01 U	2.5% 63V PP		(02)	R..0009	57.11.4223	22 K	2% 0207 MF	
(01)	C..0004	59.05.2472	4700 P	2.5% 63V PP		(00)	R..0010	57.11.3472	4.7 K	1% 0207 MF	
(00)	C..0005	59.05.2332	3300 P	2.5% 160V PP		(01)	R..0010	57.11.3103	10 K	1% 0207 MF	
(01)	C..0005	59.06.5474	.47 U	5% 63V PETP		(00)	R..0012	57.11.3222	2.2 K	1% 0207 MF	
(00)	C..0006	59.06.5224	.22 U	5% 63V PETP		(01)	R..0012	57.11.3102	1 K	1% 0207 MF	
(01)	C..0021	59.05.2103	.01 U	2.5% 63V PP		(02)	R..0012	57.11.4472	4.7 K	2% 0207 MF	
(01)	C..0021	59.05.2682	6800 P	2.5% 63V PP		(00)	R..0023	57.11.3822	8.2 K	1% 0207 MF	
(01)	C..0022	59.05.2152	1500 P	2.5% 63V PP		(01)	R..0023	57.11.3103	10 K	1% 0207 MF	
(00)	C..0023	59.06.5105	1 U	5% 50V PETP		(00)	R..0024	57.11.3332	3.3 K	1% 0207 MF	
(01)	C..0023	59.06.5684	.68 U	5% 50V PETP		(01)	R..0024	57.11.3562	5.6 K	1% 0207 MF	
(00)	C..0024	59.05.2103	.01 U	2.5% 63V PP		(01)	R..0025	57.11.3153	15 K	1% 0207 MF	
(01)	C..0024	59.05.2472	4700 P	2.5% 63V PP		(00)	R..0026	57.11.3101	100	1% 0207 MF	
(00)	C..0025	59.05.2332	3300 P	2.5% 160V PP		(01)	R..0026	57.11.3121	120	1% 0207 MF	
(01)	C..0025	59.06.5474	.47 U	5% 63V PETP		(00)	R..0029	57.11.3103	10 K	1% 0207 MF	
(00)	C..0026	59.06.5224	.22 U	5% 63V PETP		(01)	R..0029	57.11.3103	18 K	1% 0207 MF	
(01)	C..0113	59.05.2153	.015 U	2.5% 63V PP		(02)	R..0029	57.11.4223	22 K	2% 0207 MF	
(00)	C..0113	59.05.2102	1000 P	2.5% 630V PP		(00)	R..0030	57.11.3472	4.7 K	1% 0207 MF	
(00)	C..0213	59.05.2153	.015 U	2.5% 63V PP		(01)	R..0030	57.11.3103	10 K	1% 0207 MF	
(01)	C..0213	59.05.2102	1000 P	2.5% 630V PP		(00)	R..0032	57.11.3222	2.2 K	1% 0207 MF	
	MP.0001	1.777.550.11		RECORD SPEED BOARD PCB LABEL		(01)	R..0032	57.11.3102	1 K	1% 0207 MF	
	MP.0002	1.777.559.01		RECORD SPEED BOARD PCB LABEL		(02)	R..0032	57.11.4472	4.7 K	2% 0207 MF	
	P..0001	54.01.0223	7 POL	STRIP CIS							
	P..0002	54.01.0223	7 POL	STRIP CIS							
(00)	R..0003	57.11.3822	8.2 K	1% 0207 MF		(01)	15-09-87 Value adjust				
(01)	R..0003	57.11.3103	10 K	1% 0207 MF		(02)	03-02-88 Value adjust				
(00)	R..0004	57.11.3332	3.3 K	1% 0207 MF							
(01)	R..0004	57.11.3562	5.6 K	1% 0207 MF							

ERASE AMPLIFIER BOARD 1.777.560.81



© 20.2.89 J.M.E.M.
STUDER
C270
ERASE AMPLIFIER BOARD
"ESE" SC 1.777.560.81
PAGE 1 OF 1

ERASE AMPLIFIER BOARD 1.777.560.81



IND.	POS.NO.	PART NO.	VALUE	SPECIFICATIONS / EQUIVALENT	MANUF.
C++0001	59.22.5220	22 U	-20R	25W / EL	
C++0002	59.22.5220	22 U	-20R	25W / EL	
C++0003	59.06.0104	1 U	10R	63V / PETP	
C++0004	59.06.0104	2 U	10R	63V / PETP	
C++0005	59.06.0103	01 U	5R	63V / PETP	
C++0006	59.06.0102	1000 P	5R	63V / PETP	
C++0007	59.06.0102	2200 P	5R	63V / PETP	
C++0008	59.34.0451	150 P	5R	NP50 / CER	
C++0009	59.06.0102	1000 P	5R	63V / PETP	
C++0010	59.34.0450	50 P	5R	NP50 / CER	
C++0011	59.06.0103	01 U	10R	63V / PETP	
C++0012	59.06.0103	01 U	10R	63V / PETP	
C++0013	59.06.0103	01 U	10R	63V / PETP	
C++0014	59.06.0103	01 U	10R	63V / PETP	
C++0015	59.06.0103	01 U	10R	63V / PETP	
C++0016	59.34.0450	50 P	5R	NP50 / CER	
C++0017	59.06.0103	01 U	10R	63V / PETP	
C++0018	59.06.0103	01 U	10R	63V / PETP	
C++0019	59.06.0105	1.0 U	10R	50V / PETP	
C++0020	59.22.5220	22 U	-20R	25W / EL	
C++0021	59.22.5220	22 U	-20R	25W / EL	
C++0022	59.07.1102	200 P	1R	63V / PETP	
C++0023	59.06.0103	01 U	10R	63V / PETP	
C++0024	59.06.0103	01 U	10R	63V / PETP	
C++0025	59.06.0103	01 U	10R	63V / PETP	
C++0026	59.06.0103	01 U	10R	63V / PETP	
C++0027	59.06.0103	01 U	10R	63V / PETP	
C++0028	59.06.0105	1.0 U	10R	50V / PETP	
C++0029	59.22.5220	22 U	-20R	25W / EL	
C++0030	59.22.5220	22 U	-20R	25W / EL	

S T U D E R (02) 87/11/15 ERASE AMPLIFIER BOARD A 1.777.560.00 PAGE 1

IND.	POS.NO.	PART NO.	VALUE	SPECIFICATIONS / EQUIVALENT	MANUF.
C++0212	59.25.1332	3300 P	1R	63V / PETP	
C++0213	59.25.1332	3300 P	1R	63V / PETP	
C++0214	59.07.1102	200 P	1R	63V / PETP	
C++0215	59.06.0103	01 U	10R	63V / PETP	
C++0216	59.06.0103	01 U	10R	63V / PETP	
G++0001	59.09.41106	2.7 V	5%, 400A	I	
G++0002	59.09.41106	2.7 V	5%, 400A	I	
IC++0041	59.29.0107		IC 4559 NW, 4559	RA+MEC	
IC++0042	59.29.0107		IC 4559 NW, 4559	RA+MEC	
IC++0043	59.29.0112		LM 13 700 NW, VE 5517 N	Not+519	
IC++0044	59.09.41106		LM 13 700 NW, VE 5517 N	Not+519	
LL++0001	62.02.3102	1 M	10%, RAD., A 5		
[03] LL++0001	1.777.560.93		HL-ERASE AMPLIFIER	St	
[00] MP++0001	1.777.560.11		ERASE AMPL. PCB	St	
[02] MP++0001	1.777.560.12		ERASE AMPL. PCB	St	
[03] MP++0002	1.010.000.12		ERASE AMPL. PCB	St	
[01] MP++0003	28.21.1360	02x25x5	TUBULARREYET	St	
[02] MP++0004	59.06.0103	1 pc	HTV	St	
[01] MP++0005	1.777.560.07	1 pc	HEAT SINKS	St	
[01] MP++0006	59.06.0103	1 pc	HTV	St	
[01] MP++0007	1.010.000.12	1 pc	HEAT SINKS	St	
[01] MP++0008	24.14.1030	2 pc	WASHER	St	
[01] MP++0009	1.777.560.02	1 pc	INSULATION	St	
PA++0001	55.01.0649	3 PUL.	STRIP CIS ANGLE	AMP	
PA++0002	54.01.0223	7 PUL.	STRIP CIS ANGLE	AMP	
PA++0003	54.01.0270	8 PUL.	STRIP CIS ANGLE	AMP	
PA++0004	55.02.0320	2.8x0.8	TEST POINT	Lo	
PA++0005	54.02.0320	1.8x0.8	TEST POINT	Lo	
QA++0001	50.03.0496	IC 560		St	

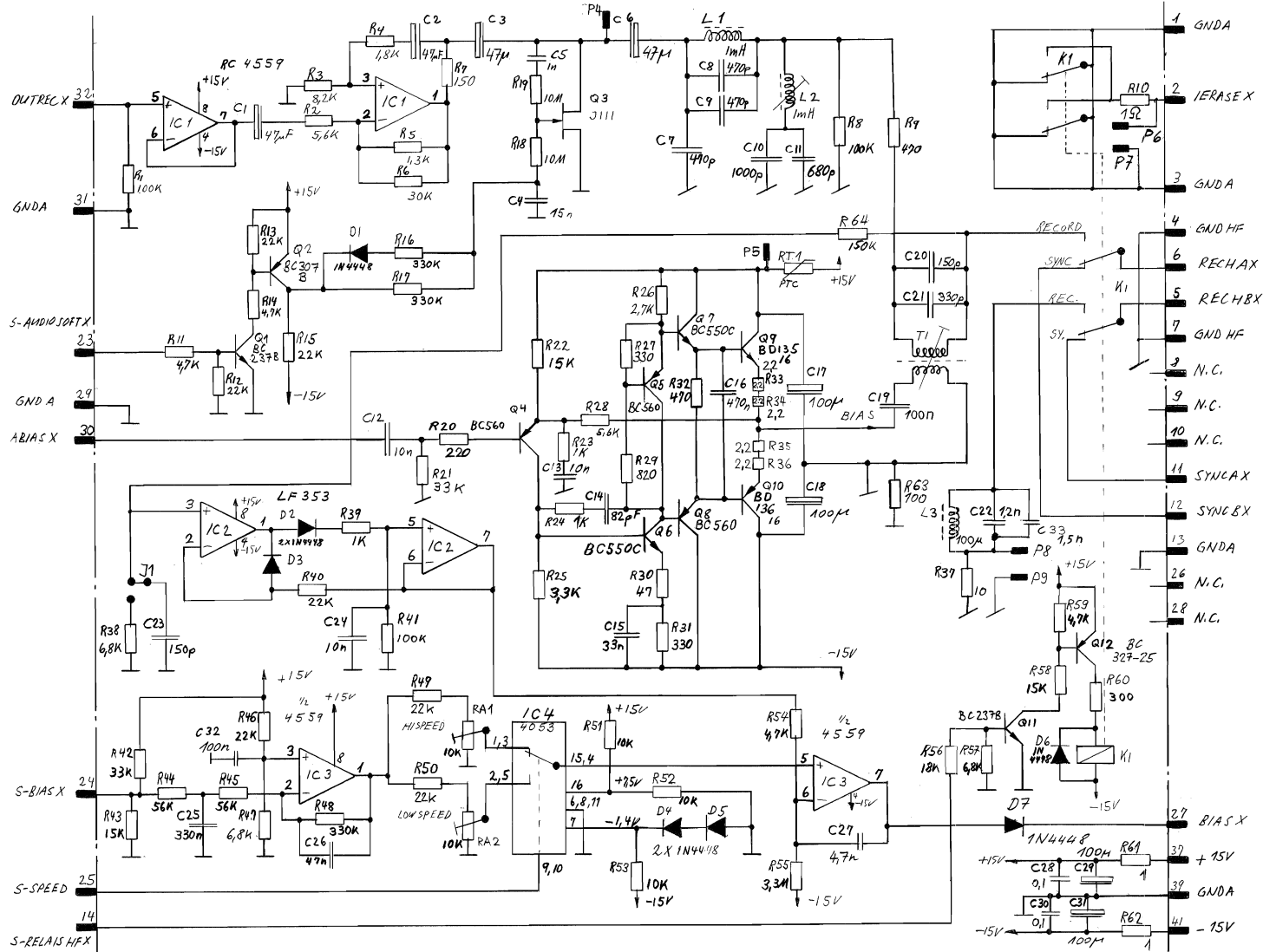
S T U D E R (03) 86/12/06 ERASE AMPLIFIER BOARD A PL 1.777.560.00 PAGE 2

IND.	POS.NO.	PART NO.	VALUE	SPECIFICATIONS / EQUIVALENT	MANUF.
G++0104	50.03.0407	IC 550 C (EC 109 C)		St+Ph	
G++0105	50.03.0496	IC 560		St	
G++0106	50.03.0496	BB 135-16		Ph+St+Sto	
G++0107	50.03.0496	BB 135-16		Ph+St+Sto	
G++0108	50.03.0496	BB 135-16		Ph+St+Sto	
G++0109	50.03.0496	BB 135-16		Ph+St+Sto	
G++0110	50.03.0496	BB 135-16		Ph+St+Sto	
G++0111	50.03.0496	BB 135-16		Ph+St+Sto	
G++0112	50.03.0496	BB 135-16		Ph+St+Sto	
G++0113	50.03.0496	BB 135-16		Ph+St+Sto	
G++0114	50.03.0496	BB 135-16		Ph+St+Sto	
G++0115	50.03.0496	BB 135-16		Ph+St+Sto	
G++0116	50.03.0496	BB 135-16		Ph+St+Sto	
R++0001	57.11.4100	1	2R	0207 / MF	
R++0002	57.11.4109	1	2R	0207 / MF	
R++0003	57.11.4102	100 K	2R	0207 / MF	
R++0004	57.11.4152	1.5 K	2R	0207 / MF	
R++0005	57.11.4152	1.5 K	2R	0207 / MF	
R++0006	57.11.4152	1.5 K	2R	0207 / MF	
R++0007	57.11.4103	10 K	2R	0207 / MF	
R++0008	57.11.4153	10 K	2R	0207 / MF	
R++0009	57.11.3752	7.5 K	1R	0207 / MF	
R++0010	57.11.3752	7.5 K	1R	0207 / MF	
R++0011	57.11.4153	33 K	2R	0207 / MF	
R++0012	57.11.4563	56 K	2R	0207 / MF	
R++0013	57.11.4563	56 K	2R	0207 / MF	
R++0014	57.11.4563	56 K	2R	0207 / MF	
R++0015	57.11.4223	27 K	2R	0207 / MF	
R++0016	57.11.4334	330 K	2R	0207 / MF	
R++0017	57.11.4334	330 K	2R	0207 / MF	
R++0018	57.11.3752	7.5 K	1R	0207 / MF	
R++0019	57.11.4563	56 K	2R	0207 / MF	
R++0020	57.11.4563	56 K	2R	0207 / MF	
R++0021	57.11.4563	56 K	2R	0207 / MF	
R++0022	57.11.4563	56 K	2R	0207 / MF	
R++0023	57.11.4563	56 K	2R	0207 / MF	
R++0024	57.11.4563	56 K	2R	0207 / MF	
R++0025	57.11.4563	56 K	2R	0207 / MF	
R++0026	57.11.4563	56 K	2R	0207 / MF	
R++0027	57.11.4563	56 K	2R	0207 / MF	
R++0028	57.11.4563	56 K	2R	0207 / MF	
R++0029	57.11.4563	56 K	2R	0207 / MF	
R++0030	57.11.4563	56 K	2R	0207 / MF	
R++0031	57.11.4563	56 K	2R	0207 / MF	
R++0032	57.11.4563	56 K	2R	0207 / MF	
R++0033	57.11.4563	56 K	2R	0207 / MF	
R++0034	57.11.4563	56 K	2R	0207 / MF	
R++0035	57.11.4563	56 K	2R	0207 / MF	
R++0036	57.11.4563	56 K	2R	0207 / MF	
R++0037	57.11.4563	56 K	2R	0207 / MF	
R++0038	57.11.4563	56 K	2R	0207 / MF	
R++0039	57.11.4563	56 K	2R	0207 / MF	
R++0040	57.11.4563	56 K	2R	0207 / MF	
R++0041	57.11.4563	56 K	2R	0207 / MF	
R++0042	57.11.4563	56 K	2R	0207 / MF	
R++0043	57.11.4563	56 K	2R	0207 / MF	
R++0044	57.11.4563	56 K	2R	0207 / MF	
R++0045	57.11.4563	56 K	2R	0207 / MF	
R++0046	57.11.4563	56 K	2R	0207 / MF	
R++0047	57.11.4563	56 K	2R	0207 / MF	
R++0048	57.11.4563	56 K	2R	0207 / MF	
R++0049	57.11.4563	56 K	2R	0207 / MF	
R++0050	57.11.4563	56 K	2R	0207 / MF	
R++0051	57.11.4563	56 K	2R	0207 / MF	
R++0052	57.11.4563	56 K	2R	0207 / MF	
R++0053	57.11.4563	56 K	2R	0207 / MF	
R++0054	57.11.4563	56 K	2R	0207 / MF	
R++0055	57.11.4563	56 K	2R	0207 / MF	
R++0056	57.11.4563	56 K	2R	0207 / MF	
R++0057	57.11.4563	56 K	2R	0207 / MF	
R++0058	57.11.4563	56 K	2R	0207 / MF	
R++0059	57.11.4563	56 K	2R	0207 / MF	
R++0060	57.11.4563	56 K	2R	0207 / MF	
R++0061	57.11.4563	56 K	2R	0207 / MF	
R++0062	57.11.4563	56 K	2R	0207 / MF	
R++0063	57.11.4563	56 K	2R	0207 / MF	
R++0064	57.11.4563	56 K	2R	0207 / MF	
R++0065	57.11.4563	56 K	2R	0207 / MF	
R++0066	57.11.4563	56 K	2R	0207 / MF	
R++0067	57.11.4563	56 K	2R	0207 / MF	
R++0068	57.11.4563	56 K	2R	0207 / MF	
R++0069	57.11.4563	56 K	2R	0207 / MF	
R++0070	57.11.4563	56 K	2R	0207 / MF	
R++0071	57.11.4563	56 K	2R	0207 / MF	
R++0072	57.11.4563	56 K	2R	0207 / MF	
R++0073	57.11.4563	56 K	2R	0207 / MF	
R++0074	57.11.4563	56 K	2R	0207 / MF	
R++0075	57.11.4563	56 K	2R	0207 / MF	
R++0076	57.11.4563	56 K	2R	0207 / MF	
R++0077	57.11.4563	56 K	2R	0207 / MF	
R++0078	57.11.4563	56 K	2R	0207 / MF	
R++0079	57.11.4563	56 K	2R	0207 / MF	
R++0080	57.11.4563	56 K	2R	0207 / MF	
R++0081	57.11.4563	56 K	2R	0207 / MF	
R++0082	57.11.4563	56 K	2R	0207 / MF	
R++0083	57.11.4563	56 K	2R	0207 / MF	
R++0084	57.11.4563	56 K	2R	0207 / MF	
R++0085	57.11.4563	56 K	2R	0207 / MF	
R++0086	57.11.4563	56 K	2R	0207 / MF	
R++0087	57.11.4563	56 K	2R	0207 / MF	
R++0088	57.11.4563	56 K	2R	0207 / MF	
R++0089	57.11.4563	56 K	2R	0207 / MF	
R++0090	57.11.4563	56 K	2R	0207 / MF	
R++0091	57.11.4563	56 K	2R	0207 / MF	
R++0092	57.11.4563	56 K	2R	0207 / MF	
R++0093	57.11.4563	56 K	2R	0207 / MF	
R++0094	57.11.4563	56 K	2R	0207 / MF	
R++0095	57.11.4563	56 K	2R	0207 / MF	
R++0096	57.11.4563	56 K	2R	0207 / MF	
R++0097	57.11.4563	56 K	2R	0207 / MF	
R++0098	57.11.4563	56 K	2R	0207 / MF	
R++0099	57.11.4563	56 K	2R	0207 / MF	
R++0100	57.11.4563	56 K	2R	0207 / MF	
R++0101	57.11.4563	56 K	2R	0207 / MF	
R++0102	57.11.4563	56 K	2R	0207 / MF	
R++0103	57.11.4563	56 K	2R	0207 / MF	
R++0104	57.11.4563	56 K	2R	0207 / MF	
R++0105	57.11.4563	56 K	2R	0207 / MF	
R++0106	57.11.4563	56 K	2R	0207 / MF	
R++0107	57.11.4563	56 K	2R	0207 / MF	
R++0108	57.11.4563	56 K	2R	0207 / MF	
R++0109	57.11.4563	56 K	2R	0207 / MF	
R++0110	57.11.4563	56 K	2R	0207 / MF	
R++0111	57.11.4563	56 K	2R	0207 / MF	
R++0112	57.11.4563	56 K	2R	0207 / MF	
R++0113	57.11.4563	56 K	2R	0207 / MF	
R++0114	57.11.4563	56 K	2R	0207 / MF	
R++0115	57.11.4563	56 K	2R	0207 / MF	
R++0116	57.11.4563	56 K	2R	0207 / MF	

S T U D E R (02) 87/11/15 ERASE AMPLIFIER BOARD A 1.777.560.00 PAGE 3

IND.	POS.NO.	PART NO.	VALUE	SPECIFICATIONS / EQUIVALENT
------	---------	----------	-------	-----------------------------

BIAS CONTROL BOARD 1.777.570.81



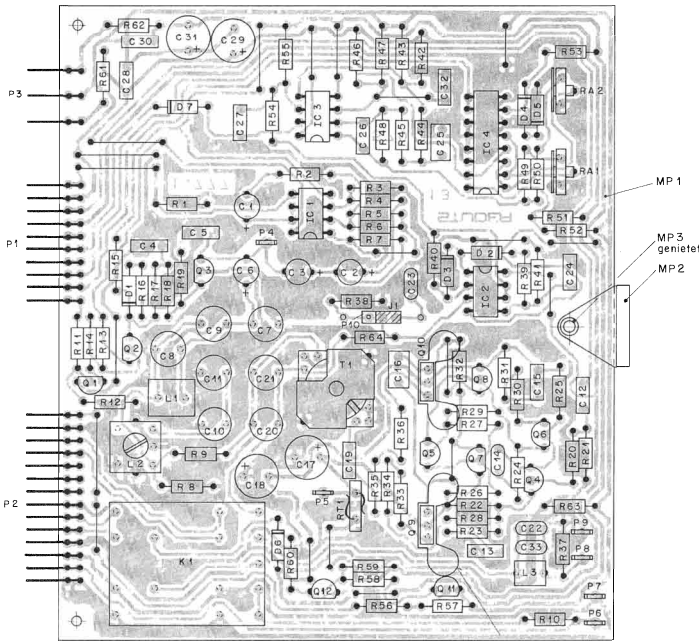
Notes:
 Emitter Q1 connects to GND HF 1.777.570.00 to reduce record clicks change R63 to 1 ohm.
 On board 1.777.570.00 emitter Q1 is on GND A resistor R63 is 100 ohms.

© 20.2.89 J.M.E.K. C270 BIAS CONTROL BOARD "ESE" SC 1.777.570.81

PAGE 1 OF 1

STUDER

BIAS CONTROL BOARD 1.777.570.81



MP 1

MP 3 genietet

MP 2

MP 4 (2 x)

IND.	POS.ND.	PART NO.	VALUE	SPECIFICATIONS / EQUIVALENT	MANUF.
L	0001	59-22-3670	47 U	-20%, 10V + EL	
C	0002	59-22-3670	47 U	-20%, 10V + EL	
L	0003	59-22-3670	47 U	-20%, 10V + EL	
(80)	C	0004	59-06-0104	1 U	10%, 63V + PEP
(10)	C	0005	59-06-0103	1000 P	10%, 63V + PEP
L	0006	59-22-3670	47 U	-20%, 10V + EL	
C	0007	59-05-0471	470 P	+5%, 630V + PP	
L	0008	59-05-2611	470 P	+5%, 630V + PP	
C	0009	59-05-0471	470 P	+5%, 630V + PP	
(80)	L	0010	59-05-1102	1000 P	+5%, 630V + PP
(10)	C	0011	59-05-2611	470 P	+5%, 630V + PP
C	0012	59-06-0103	100 U	10%, 63V + PEP	
L	0013	59-06-0103	100 U	10%, 63V + PEP	
C	0014	59-06-0103	100 U	10%, 63V + PEP	
L	0015	59-06-0333	47 U	10%, 63V + PEP	
C	0016	59-06-0103	100 U	10%, 63V + PEP	
L	0017	59-22-3101	100 U	-20%, 25V + EL	
C	0018	59-22-3101	100 U	-20%, 25V + EL	
(80)	L	0019	59-26-0109	1.0 U	10%, 50V + PEP
(10)	C	0020	59-05-0151	150 P	+5%, 630V + PP
C	0021	59-05-0381	300 P	+5%, 630V + PP	
(10)	C	0022	59-34-3271	270 P	5%, 8750 + CER
(104)	C	0023	59-34-3272	120 N	10%, 50V + CER
C	0024	59-34-4151	150 P	5%, 8750 + CER	
C	0025	59-06-0334	47 U	10%, 63V + PEP	
L	0026	59-06-0103	100 U	10%, 63V + PEP	
L	0027	59-06-0103	100 U	10%, 63V + PEP	
L	0028	59-06-0104	100 U	10%, 63V + PEP	
L	0029	59-22-5101	100 U	-20%, 25V + EL	
L	0030	59-06-0104	100 U	10%, 63V + PEP	
L	0031	59-22-5101	100 U	-20%, 25V + EL	
C	0032	59-06-0104	100 U	10%, 63V + PEP	
C	0033	59-06-0104	100 U	10%, 63V + PEP	

S T U D E R (05) 88/04/18 BIAS-CONTROL-BOARD A 1.777.570.00 PAGE 1

IND.	POS.ND.	PART NO.	VALUE	SPECIFICATIONS / EQUIVALENT	MANUF.
(104)	C	0033	59-32-4152	1.5 N	20%, 50V + CER
D	0001	59-04-0125	1N 4448	SI	
D	0002	59-04-0125	1N 4448	SI	
D	0003	59-04-0125	1N 4448	SI	
D	0004	59-04-0125	1N 4448	SI	
D	0005	59-04-0125	1N 4448	SI	
D	0006	59-04-0125	1N 4448	SI	
D	0007	59-04-0125	1N 4448	SI	
IC	0001	59-09-0107	IC 4558 ND, UIC 4559		Rad-REC
IC	0002	59-09-0101	LF 353 N71 02Z CP	JA	IT
IC	0003	59-09-0107	IC 4558 ND, UIC 4559		Rad-REC
IC	0004	59-07-0015	MC 14 03328C-0 053 BCN-A		Rad-REC
J	0001	54-01-0021	1 pcs	JUMPER	bg
K	0001	56-54-0144	24V 4PU	220V/ 2A + PRINT	Decon/zettler
L	0001	62-02-3102	1 M	COIL + 10%	
L	0002	1.777-0101-01	1 M	HF-COIL +	St
(80)	L	0003	62-02-3102	1 M	COIL + 10%
(104)	L	0003	62-02-3101	100 M	COIL + 10%
(80)	MP	0001	1.777-570-11	BIAS-CONTROL-PCB	St
(10)	MP	0001	1.777-570-12	BIAS-CONTROL-PCB	St
(10)	MP	0002	1.016-001-33	GRIP	St
MP	0003	50-21-1160	02,2555	TUMBARRETTET	St
MP	0004	50-20-3003	2 pcs	HEAT SIMES TO 126	St
F	0001	54-01-0271	10 POL+	STRIP CIS ANGLE	AMP
F	0002	54-01-0274	19 POL+	STRIP CIS ANGLE	AMP
F	0003	54-01-0469	3 POL+	STRIP CIS ANGLE	AMP
F	0004	54-01-0103	2.800 B	TEST POINT	Lo
F	0005	54-02-3320	2.800 B	TEST POINT	Lo
F	0006	54-02-3320	2.800 B	TEST POINT	Lo
F	0007	54-02-0320	2.800 B	TEST POINT	Lo

S T U D E R (05) 88/04/18 BIAS-CONTROL-BOARD A 1.777.570.00 PAGE 2

IND.	POS.ND.	PART NO.	VALUE	SPECIFICATIONS / EQUIVALENT	MANUF.
F	0008	54-02-0320	2.800 B	TEST POINT	Lo
F	0009	54-02-0320	2.800 B	TEST POINT	Lo
F	0010	54-01-0020	3 pcs	PH 0-4-30-63 H=5.8/3.4	Bg
G	0001	50-03-0436		BC 237 B	Ti-SiePh
G	0002	50-03-0451		BC 307 B	Ti-SiePh
G	0003	50-03-0410		J 111	NA-Mot
G	0004	50-03-0496		BC 560	NA-Mot
G	0005	50-03-0496		BC 560	NA-Mot
G	0006	50-03-0407		BC 550 C (BC 109 C)	SiePh
G	0007	50-03-0407		BC 550 C (BC 109 C)	SiePh
G	0008	50-03-0496		BC 160	NA-Mot
G	0009	50-03-0496		BD 135-16	Ph-Ses-To
G	0010	50-03-0496		BD 135-16	Ph-Ses-To
G	0011	50-03-0436		BC 237 B	Ti-SiePh
G	0012	50-03-0351		BC 32F-25	Rot-Sie
K	0001	57-11-4104	100 K	2%, 0207 + HF	
K	0002	57-11-4102	56 K	2%, 0207 + HF	
K	0003	57-11-4102	6.2 K	2%, 0207 + HF	
K	0004	57-11-4102	1.8 K	2%, 0207 + HF	
K	0005	57-11-3132	1.5 K	1%, 0207 + HF	
K	0006	57-11-3103	30	1%, 0207 + HF	
K	0007	57-11-4151	150	2%, 0207 + HF	
K	0008	57-11-4104	100 K	2%, 0207 + HF	
K	0009	57-11-4473	470	2%, 0207 + HF	
K	0010	57-11-4109	1	2%, 0207 + HF	
K	0011	57-11-4472	4.7 K	2%, 0207 + HF	
K	0012	57-11-4223	22 K	2%, 0207 + HF	
K	0013	57-11-4223	22 K	2%, 0207 + HF	
K	0014	57-11-4472	4.7 K	2%, 0207 + HF	
K	0015	57-11-4223	22 K	2%, 0207 + HF	
K	0016	57-11-4104	330 K	2%, 0207 + HF	
K	0017	57-11-4104	330 K	2%, 0207 + HF	
K	0018	57-11-3106	10 M	10%, 0207 + HF	
K	0019	57-11-4106	10 M	10%, 0207 + HF	
K	0020	57-11-4223	22 K	2%, 0207 + HF	

S T U D E R (05) 88/04/18 BIAS-CONTROL-BOARD A 1.777.570.00 PAGE 3

IND.	POS.ND.	PART NO.	VALUE	SPECIFICATIONS / EQUIVALENT	MANUF.
K	0021	57-11-4133	33	2%, 0207 + HF	
K	0022	57-11-4153	15 K	2%, 0207 + HF	
K	0023	57-11-4102	1 K	2%, 0207 + HF	
K	0024	57-11-4102	1 K	2%, 0207 + HF	
K	0025	57-11-332	3.3 K	2%, 0207 + HF	
K	0026	57-11-4222	2.2 K	2%, 0207 + HF	
K	0027	57-11-4331	330	2%, 0207 + HF	
K	0028	57-11-4621	56 K	2%, 0207 + HF	
K	0029	57-11-4821	820	2%, 0207 + HF	
K	0030	57-11-4104	47	2%, 0207 + HF	
K	0031	57-11-4131	330	2%, 0207 + HF	
K	0032	57-11-4104	47	2%, 0207 + HF	
K	0033	57-11-4229	2.2	2%, 0207 + HF	
K	0034	57-11-4229	2.2	2%, 0207 + HF	
K	0035	57-11-4229	2.2	2%, 0207 + HF	
K	0036	57-11-4229	2.2	2%, 0207 + HF	
K	0037	57-11-4100	10	2%, 0207 + HF	
K	0038	57-11-4082	6.8 K	2%, 0207 + HF	
K	0039	57-11-4102	1 K	2%, 0207 + HF	
K	0040	57-11-4223	22 K	2%, 0207 + HF	
K	0041	57-11-4104	10 K	2%, 0207 + HF	
K	0042	57-11-4104	10 K	2%, 0207 + HF	
K	0043	57-11-4253	15 K	2%, 0207 + HF	
K	0044	57-11-4563	56 K	2%, 0207 + HF	
K	0045	57-11-4563	56 K	2%, 0207 + HF	
K	0046	57-11-4223	22 K	2%, 0207 + HF	
K	0047	57-11-4082	6.8 K	2%, 0207 + HF	
K	0048	57-11-4104	10 K	2%, 0207 + HF	
K	0049	57-11-4223	22 K	2%, 0207 + HF	
K	0050	57-11-4223	22 K	2%, 0207 + HF	
K	0051	57-11-4103	10 K	2%, 0207 + HF	
K	0052	57-11-4103	10 K	2%, 0207 + HF	
K	0053	57-11-4103	10 K	2%, 0207 + HF	
K	0054	57-11-4072	4.7 K	2%, 0207 + HF	
K	0055	57-11-5335	3.3 M	5%, 0207 + HF	
K	0056	57-11-4103	10 K	2%, 0207 + HF	
K	0057	57-11-4082	6.8 K	2%, 0207 + HF	

S T U D E R (05) 88/04/18 BIAS-CONTROL-BOARD A 1.777.570.00 PAGE 4

IND.	POS.ND.	PART NO.	VALUE	SPECIFICATIONS / EQUIVALENT	MANUF.
K	0058	57-11-4131	10 K	2%, 0207 + HF	
K	0059	57-11-4472	4.7 K	2%, 0207 + HF	
K	0060	57-11-3301	330	1%, 0207 + HF	
K	0061	57-11-4109	1	2%, 0207 + HF	
(80)	K	0062	57-11-4109	100	2%, 0207 + HF
(10)	K	0063	57-11-4109	1	2%, 0207 + HF
K	0064	57-11-4154	150 X	10%	St
K	0065	58-02-4103	10 X	20%, 1.1 w + PCSCH	
K	0066	58-02-4103	10 X	20%, 1.1 w + PCSCH	
K	0067	57-92-1161	180 MA	56AV PTC	
T	0001	1-022-00-00		BIAS TRANSFORMER	St

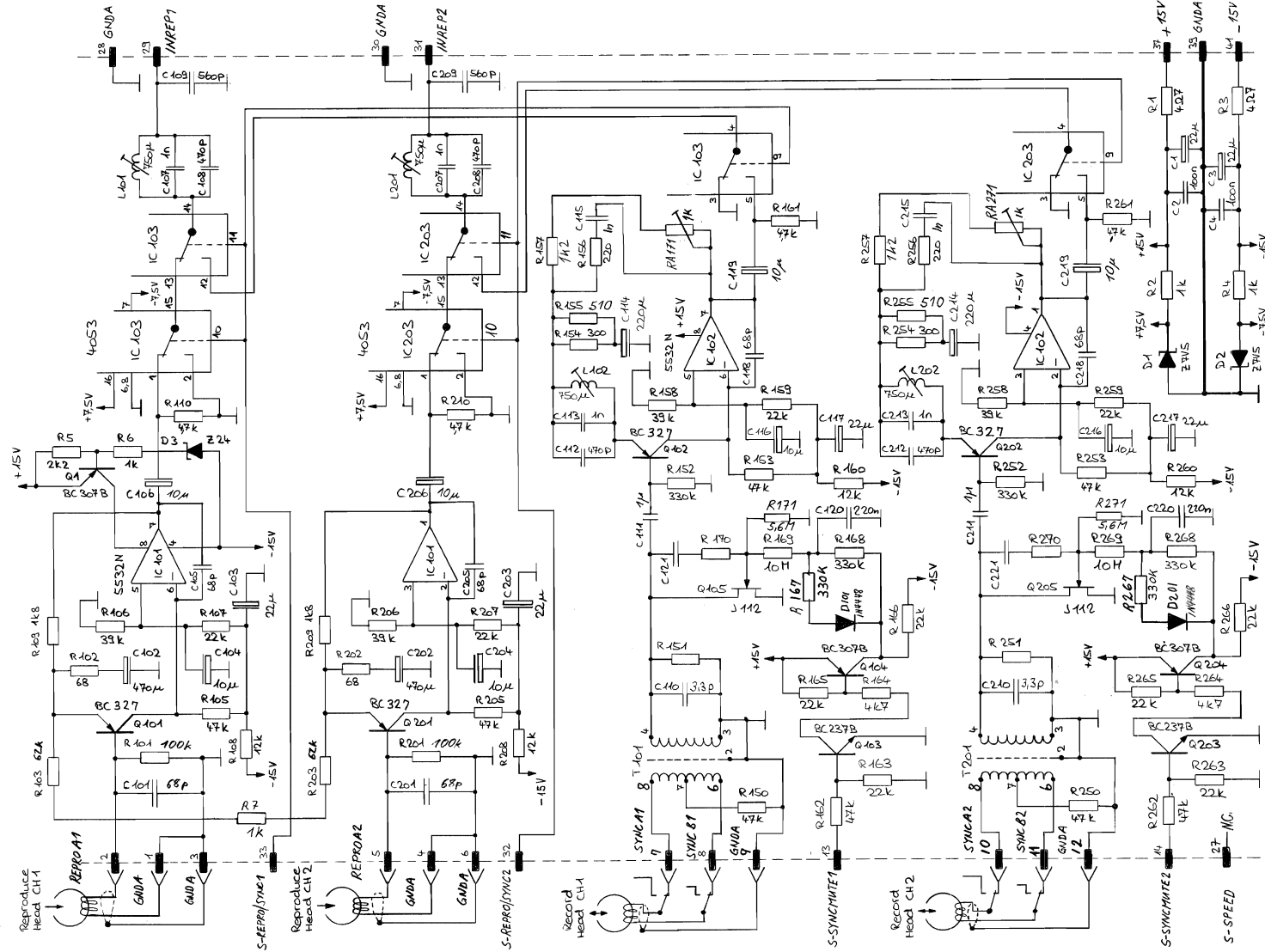
S T U D E R (06) 88/12/06 BIAS-CONTROL-BOARD A PL 1.777.570.00 PAGE 5

[01] 07-01-07 SW Adaptation
 [02] 12-01-07 Value adjust
 [03] 15-11-07 PCB Revision
 [04] 27-01-08 Value adjust
 [05] 18-01-08 Value adjust
 [06] 06-12-08 Value adjust

MANUFACTURER: AMP&AP Incorporates/Hot/Morogoro/NEC/Nippon Electric Corp./
 N-Mos/Quali Semiconductors/Philips/Kal/Hitachi/Onkyo/SGS/Atmel/
 Siemens/ST/STuder/Tel/Faxas/Instrument-Toshiba/
 LPL/Qualis/Thyris/Trp

DRIG 88/04/16 (01) 87/04/27 (02) 87/08/12 (03) 87/11/15 (04) 88/01/27
 (05) 88/04/19 (06) 88/12/06

PREAMPLIFIER BOARD 1.777.610.00

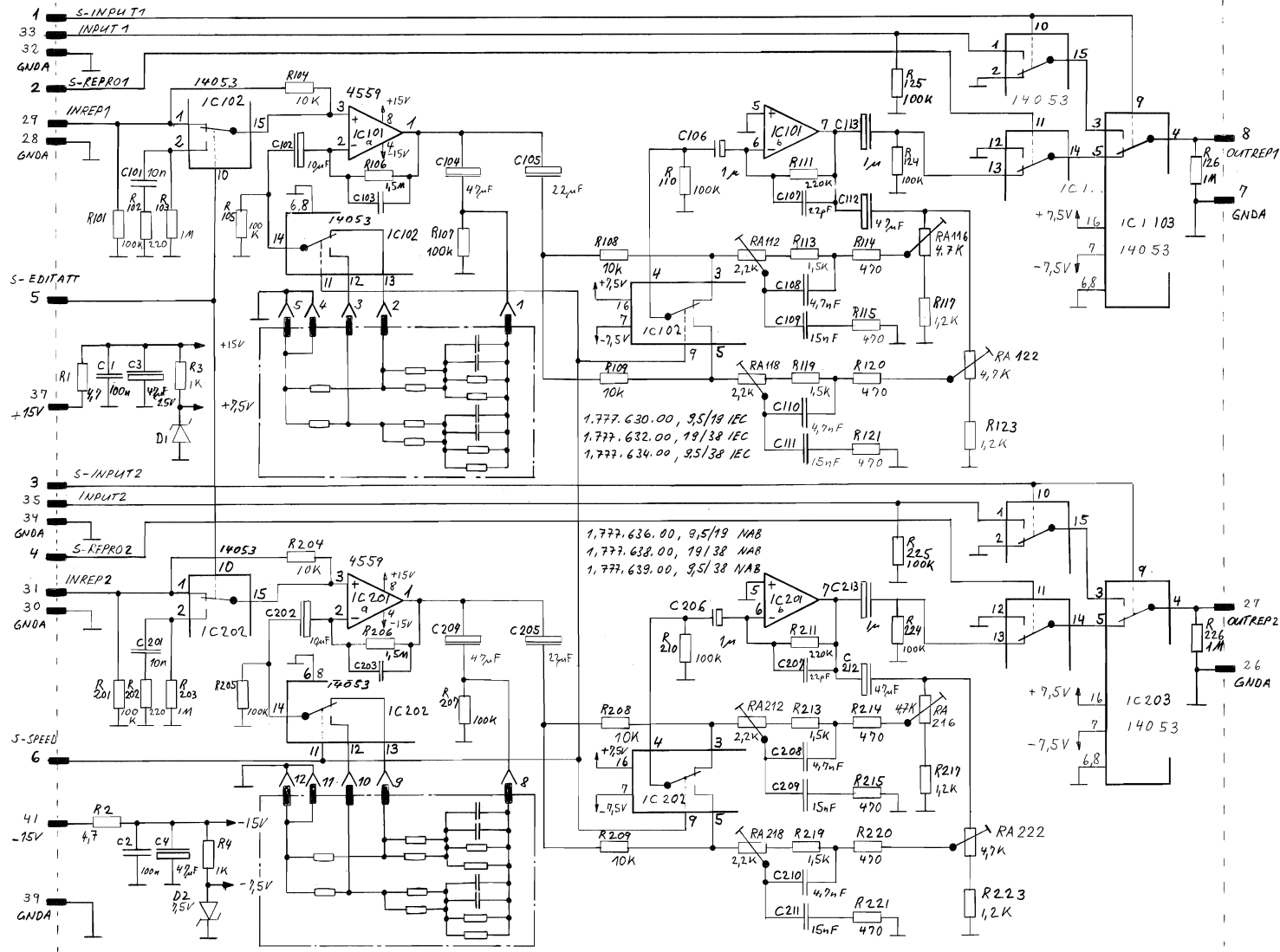


Notes:
 C111 and C211 have been reduced to 1µF and resistors R171 and R271 added, each 5.6Mohms to reduce start/stop clicks.

① 28.1.87 B. J. L. E. P. ② 7.4.87 J. M. E. P. ③ 12.8.87 J. M. E. P. ④ 06.12.88 J. M. E. P.
C270
PREAMPLIFIER BOARD
"ESE" SC 1.777.610.00
PAGE 1 OF 1

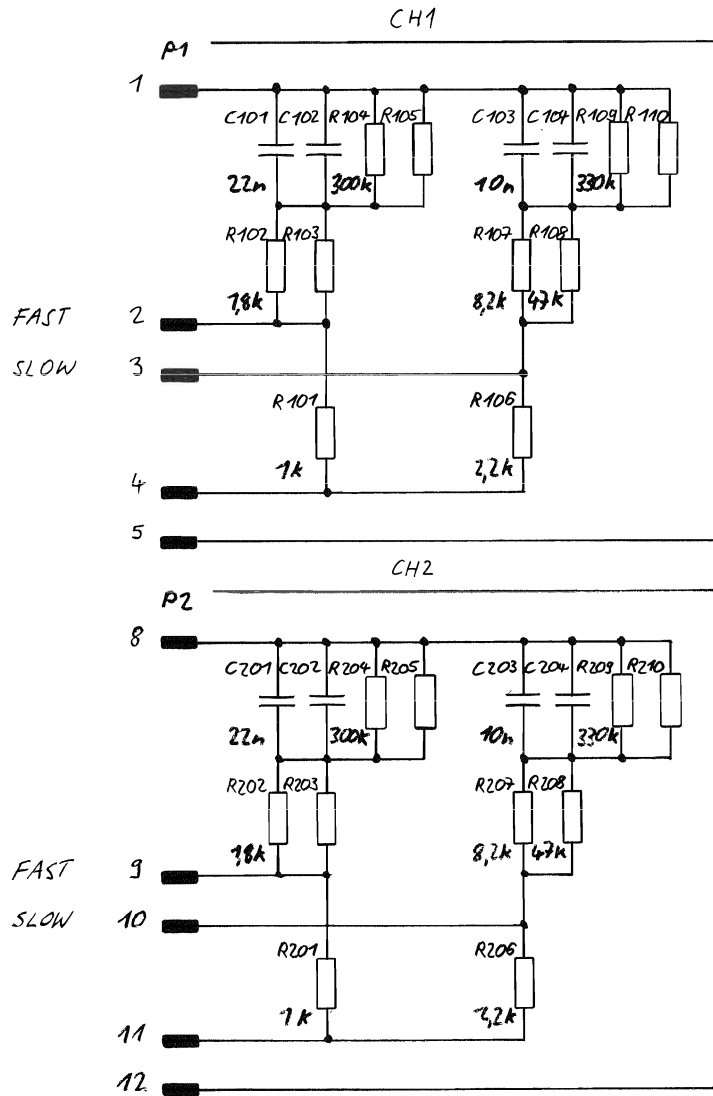


REPRODUCE EQUALIZER BOARD 1.777.620.00



©28.1.87 Z. JAKI 17.7.87 J.M.F.
 C270
 REPRODUCE EQUALIZER BOARD "ESE" SC 1.777.620.00
 STUDER
 PAGE 1 OF 1

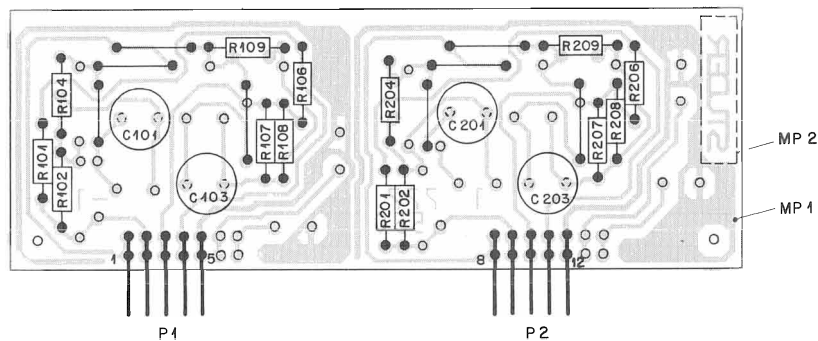
REPRO SPEED BOARD 9.5/19 IEC 1.777.630.00



Note:
Components with no value indication are not installed.

©14.2.873 FU	○ ..	○ ..	○ ..	○ ..
	C270			PAGE 1 OF 1
STUDER	REPRO SPEED B. 9.5 / 19 IEC (3,75 / 7,5)		SC	1.777.630.00

REPRO SPEED BOARD 9.5/19 IEC 1.777.630.00

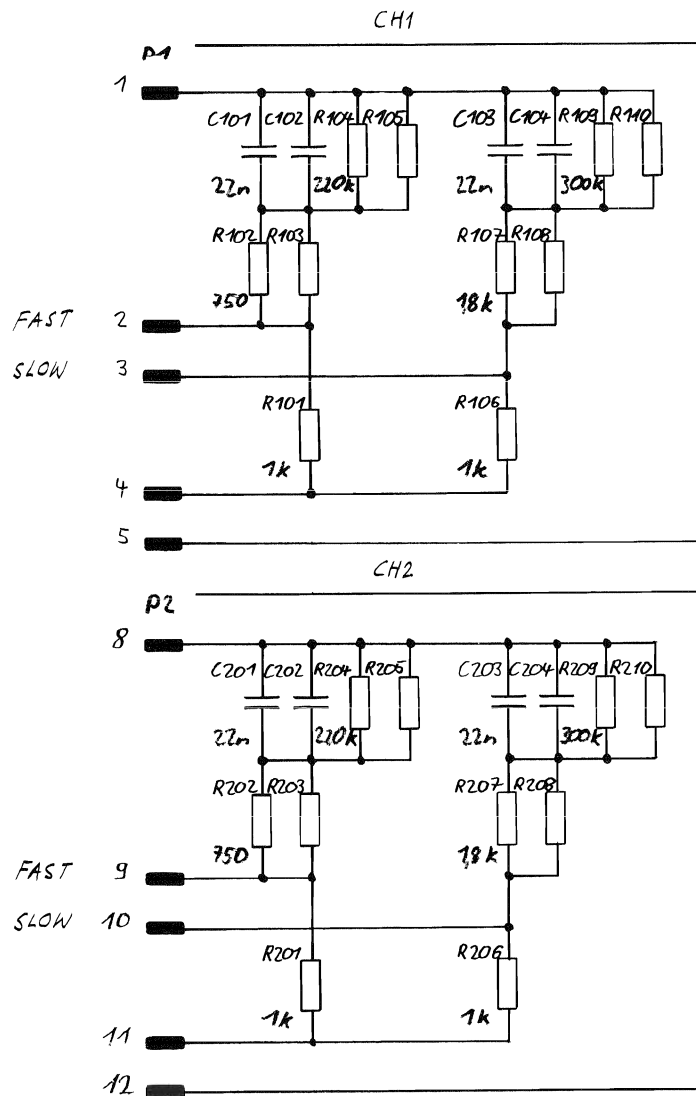


IND.	POS-NO.	PART NO.	VALUE	SPECIFICATIONS / EQUIVALENT	MANUF.
C..0101		59.05.2223	.022 U	2.5%, 63V, PP	
C..0103		59.05.2103	.01 U	2.5%, 63V, PP	
C..0201		59.05.2223	.022 U	2.5%, 63V, PP	
C..0203		59.05.2103	.01 U	2.5%, 63V, PP	
MP.0001	1.777.550.11			REPRO. SPEED BOARD PCB	
MP.0002	1.777.630.01			Label	
P..0001	54.01.0269		5 PDL.	STRIP CIS	
P..0002	54.01.0269		5 PDL.	STRIP CIS	
R..0101	57.11.3102		1 K	1%, 0207, MF	
R..0102	57.11.3182		1.8 K	1%, 0207, MF	
R..0104	57.11.3304		300 K	1%, 0207, MF	
R..0106	57.11.3222		2.2 K	1%, 0207, MF	
R..0107	57.11.3822		8.2 K	1%, 0207, MF	
R..0108	57.11.3473		47 K	1%, 0207, MF	
R..0109	57.11.3334		330 K	1%, 0207, MF	
R..0201	57.11.3102		1 K	1%, 0207, MF	
R..0202	57.11.3182		1.8 K	1%, 0207, MF	
R..0204	57.11.3304		300 K	1%, 0207, MF	
R..0206	57.11.3222		2.2 K	1%, 0207, MF	
R..0207	57.11.3822		8.2 K	1%, 0207, MF	
R..0208	57.11.3473		47 K	1%, 0207, MF	
R..0209	57.11.3334		330 K	1%, 0207, MF	

ORIG 86/09/16

STUDER (00) 86/09/16 REPRO. SPEED BOARD 9.5/19 IEC 1.777.630.00 PAGE 1

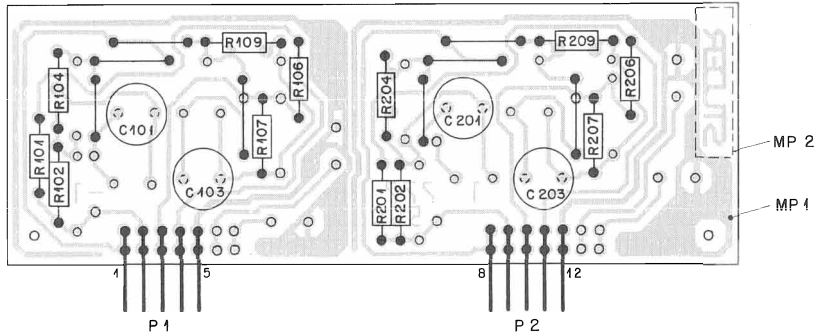
REPRO SPEED BOARD 19/38 IEC 1.777.632.00



Note:
 Components with no value indication are not installed.

① 14.287	EX	○ ..	○ ..	○ ..	○ ..
C270					PAGE 1 OF 1
STUDER	REPRO SPEED B. 19/38 IEC (7,5 /15)			SC	1.777.632.00

REPRO SPEED BOARD 19/38 IEC 1.777.632.00

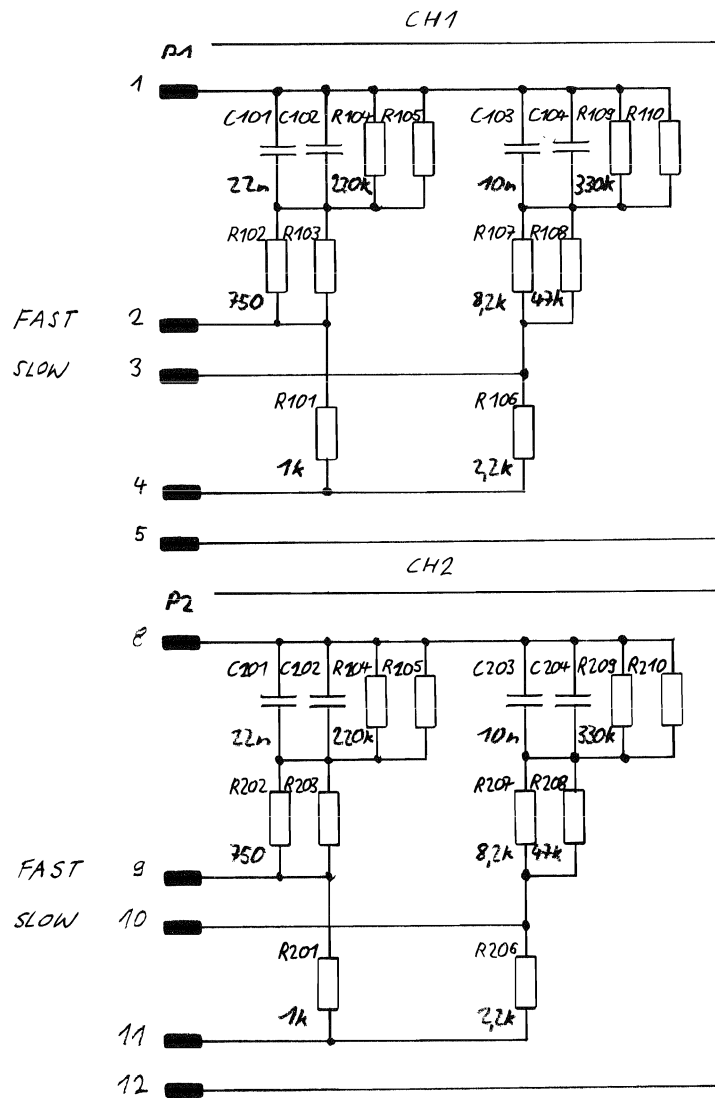


IND.	POS. NO.	PART NO.	VALUE	SPECIFICATIONS / EQUIVALENT	MANUF.
C..0101		59.05.2223	.022 U	2.5%, 63V * PP	
C..0103		59.05.2223	.022 U	2.5%, 63V * PP	
C..0201		59.05.2223	.022 U	2.5%, 63V * PP	
C..0203		59.05.2223	.022 U	2.5%, 63V * PP	
MP.0001		1.777.550.11		REPRO. SPEED BOARD PCB	
MP.0002		1.777.632.01		Label	
P..0001		54.01.0269	5 PDL.	STRIP C15	
P..0002		54.01.0269	5 PDL.	STRIP C15	
R..0101		57.11.3102	1 K	1%, 0207 * MF	
R..0102		57.11.3751	750	1%, 0207 * MF	
R..0104		57.11.4224	220 K	1%, 0207 * MF	
R..0106		57.11.3102	1 K	1%, 0207 * MF	
R..0107		57.11.3102	1.8 K	1%, 0207 * MF	
R..0109		57.11.3304	300 K	1%, 0207 * MF	
R..0201		57.11.3102	1 K	1%, 0207 * MF	
R..0202		57.11.3751	750	1%, 0207 * MF	
R..0204		57.11.4224	220 K	1%, 0207 * MF	
R..0206		57.11.3102	1 K	1%, 0207 * MF	
R..0207		57.11.3182	1.8 K	1%, 0207 * MF	
R..0209		57.11.3304	300 K	1%, 0207 * MF	

ORIG 86/09/16

STUDER (00) 86/09/16 REPRO. SPEED BOARD 19/38 IEC 1.777.632.00 PAGE 1

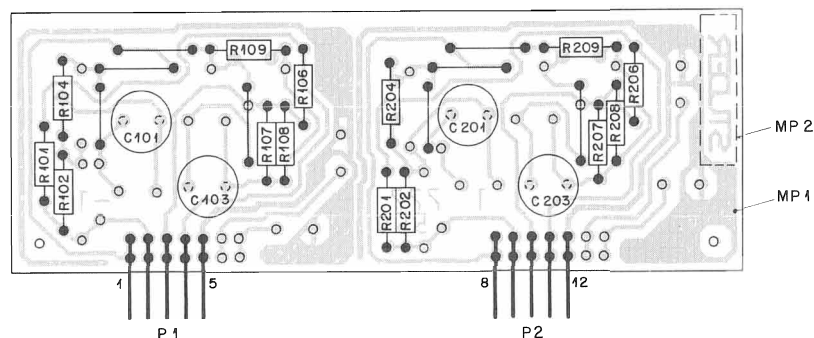
REPRO SPEED BOARD 9.5/38 IEC 1.777.634.00



Note:
Components with no value indication are not installed.

© 14.2.87
	C270			PAGE 1 OF 1
STUDER	REPRO SPEED B. 9.5/38 IEC(3,75/15)	SC	1.777.634.00	

REPRO SPEED BOARD 9.5/38 IEC 1.777.634.00



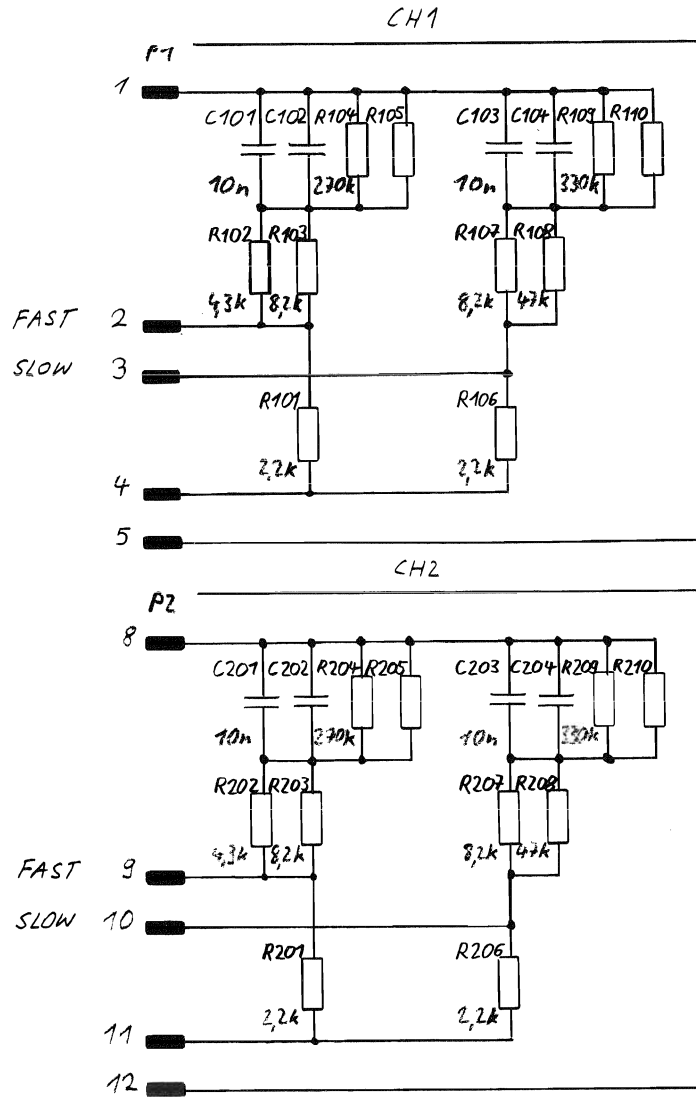
IND.	POS.-NO.	PART NO.	VALUE	SPECIFICATIONS / EQUIVALENT	MANUF.
C..0101	59.05.2223	.022 U	2.5%	63V * PP	
C..0103	59.05.2103	.01 U	2.5%	63V * PP	
C..0201	59.05.2223	.022 U	2.5%	63V * PP	
C..0203	59.05.2103	.01 U	2.5%	63V * PP	
MP.0001	1.777.550.11			REPRO. SPEED BOARD PCB	
MP.0002	1.777.634.01			Label	
P..0001	54.01.0269	5 PDL.		STRIP CIS	
P..0002	54.01.0269	5 PDL.		STRIP CIS	
R..0101	57.11.3102	1 K		1%, 0207 * MF	
R..0102	57.11.3751	750		1%, 0207 * MF	
R..0104	57.11.3224	220 K		1%, 0207 * MF	
R..0106	57.11.3222	2.2 K		1%, 0207 * MF	
R..0107	57.11.3922	8.2 K		1%, 0207 * MF	
R..0108	57.11.3473	47 K		1%, 0207 * MF	
R..0109	57.11.3334	330 K		1%, 0207 * MF	
R..0201	57.11.3102	1 K		1%, 0207 * MF	
R..0202	57.11.3751	750		1%, 0207 * MF	
R..0204	57.11.3224	220 K		1%, 0207 * MF	
R..0206	57.11.3222	2.2 K		1%, 0207 * MF	
R..0207	57.11.3922	8.2 K		1%, 0207 * MF	
R..0208	57.11.3473	47 K		1%, 0207 * MF	
R..0209	57.11.3334	330 K		1%, 0207 * MF	

ORIG 06/09/16

STUDER (00) 06/09/16

REPRO. SPEED BOARD 9.5/38 IEC 1.777.634.00 PAGE 1

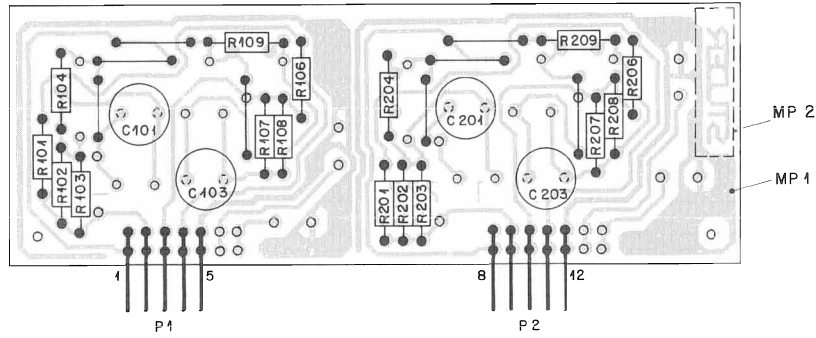
REPRO SPEED BOARD 9.5/19 NAB 1.777.636.00



Note:
 Components with no value indication are not installed.

©14.2.87
	C270			PAGE 1 OF 1
STUDER	REPRO SPEED B. 9.5/19 NAB (3,75/7,5) SC			1.777.636.00

REPRO SPEED BOARD 9.5/19 NAB 1.777.636.00



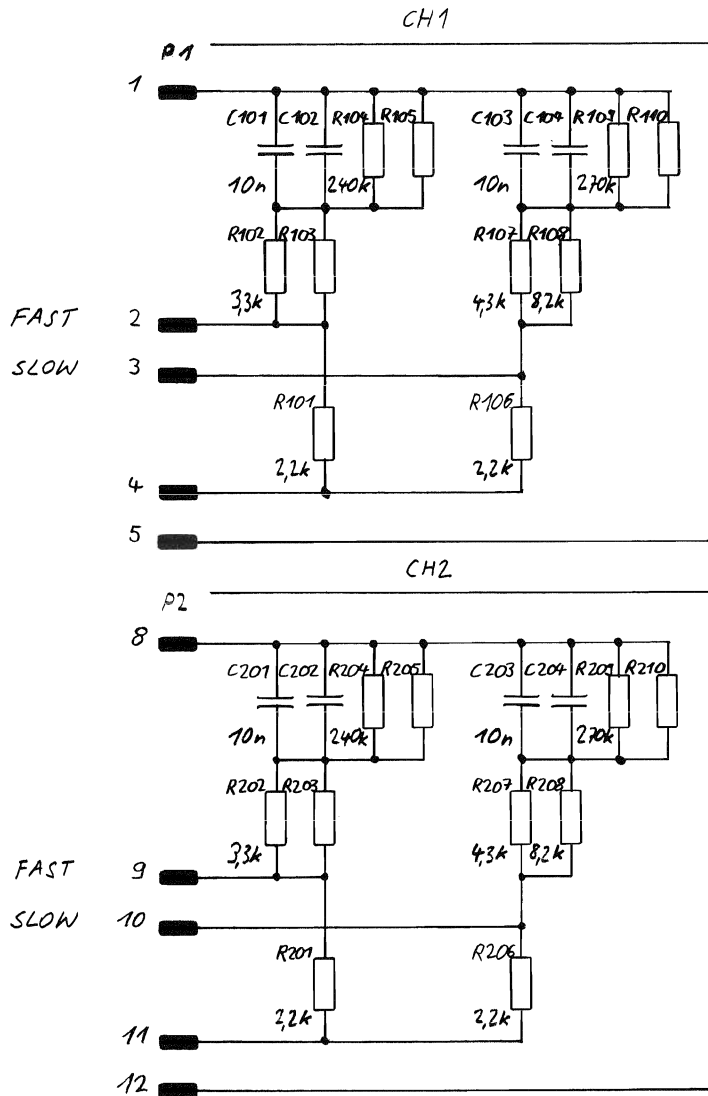
INO.	POS. NO.	PART NO.	VALUE	SPECIFICATIONS / EQUIVALENT	MANUF.
		C..0101	59.05.2103	.01 U	2.5%, 63V * PP
		C..0103	59.05.2103	.01 U	2.5%, 63V * PP
		C..0201	59.05.2103	.01 U	2.5%, 63V * PP
		C..0203	59.05.2103	.01 U	2.5%, 63V * PP
		MP.0001	1.777.550.11		REPRO. SPEED BOARD PCB
		MP.0002	1.777.636.01		Label
		P..0001	54.01.0269	5 PDL.	STRIP C15
		P..0002	54.01.0269	5 PDL.	STRIP C15
		R..0101	57.11.3222	2.2 K	1%, 0207 * MF
		R..0102	57.11.3432	4.3 K	1%, 0207 * MF
		R..0103	57.11.3822	8.2 K	1%, 0207 * MF
(00)		R..0104	57.11.3274	270 K	1%, 0207 * MF
(01)		R..0104	57.11.4274	270 K	2%, 0207 * MF
		R..0106	57.11.3222	2.2 K	1%, 0207 * MF
		R..0107	57.11.3822	8.2 K	1%, 0207 * MF
		R..0108	57.11.3473	47 K	1%, 0207 * MF
		R..0109	57.11.3334	330 K	1%, 0207 * MF
		R..0201	57.11.3222	2.2 K	1%, 0207 * MF
		R..0202	57.11.3432	4.3 K	1%, 0207 * MF
		R..0203	57.11.3822	8.2 K	1%, 0207 * MF
(00)		R..0204	57.11.3274	270 K	1%, 0207 * MF
(01)		R..0204	57.11.4274	270 K	2%, 0207 * MF
		R..0206	57.11.3222	2.2 K	1%, 0207 * MF
		R..0207	57.11.3822	8.2 K	1%, 0207 * MF
		R..0208	57.11.3473	47 K	1%, 0207 * MF
		R..0209	57.11.3334	330 K	1%, 0207 * MF

(01) 26.06.87 PARTNUMBER CHANGE

ORIG 86/09/16 (01) 87/06/26

S T U D E R (01) 87/06/26 REPRO. SPEED BOARD 9.5/19 NAB 1.777.636.00 PAGE 1

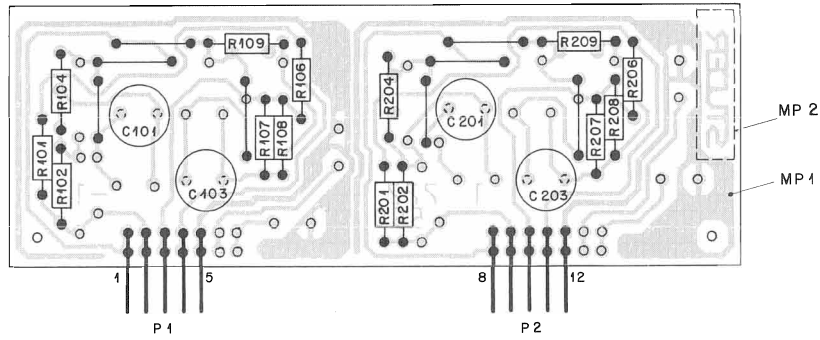
REPRO SPEED BOARD 19/38 NAB 1.777.638.00



Note:
Components with no value indication are not installed.

① 14.2.87	⊙ ..	⊙ ..	⊙ ..	⊙ ..
	C270			PAGE 1 OF 1
STUDER	REPRO SPEED B. 19/38 NAB (7,5 / 15)		SC	1.777.638.00

REPRO SPEED BOARD 19/38 NAB 1.777.638.00



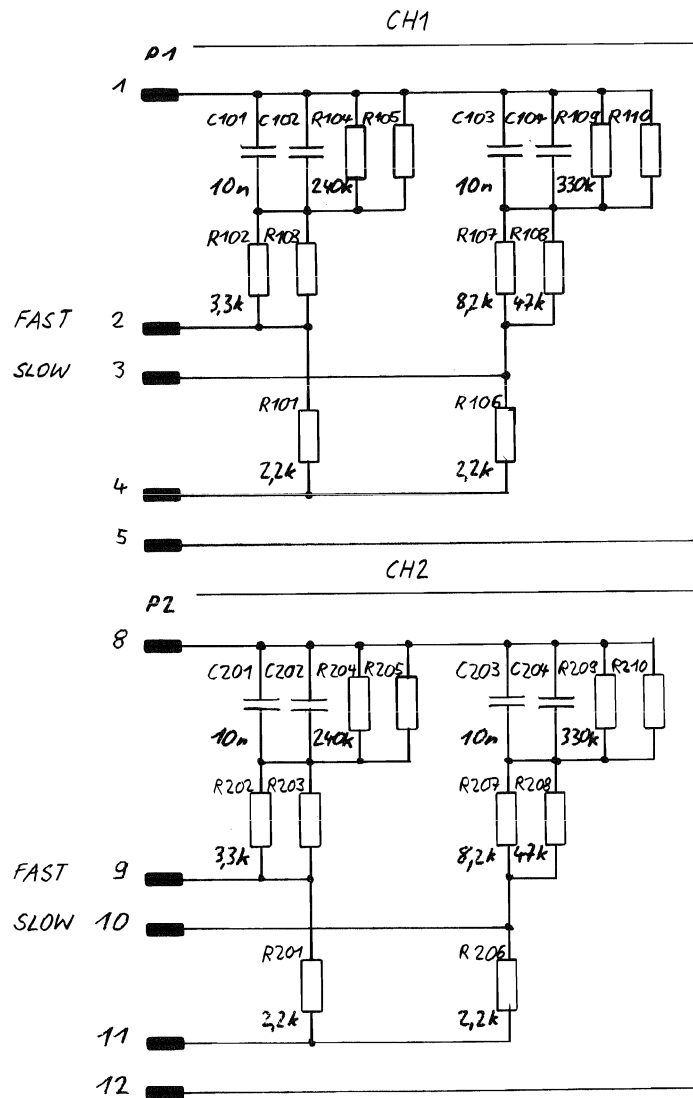
IND.	POS.NO.	PART NO.	VALUE	SPECIFICATIONS / EQUIVALENT	MANUF.
	C..0101	59.05.2103	.01 U	2.5% 63V * PP	
	C..0103	59.05.2103	.01 U	2.5% 63V * PP	
	C..0201	59.05.2103	.01 U	2.5% 63V * PP	
	C..0203	59.05.2103	.01 U	2.5% 63V * PP	
	MP.0001	1.777.550.11		REPRO. SPEED BOARD PCB	
	MP.0002	1.777.638.01		Label	
	P..0001	54.01.0269	5 PDL	STRIP CIS	
	P..0002	54.01.0269	5 PDL	STRIP CIS	
	R..0101	57.11.3222	2.2 K	1% 0207 * MF	
	R..0102	57.11.3332	3.3 K	1% 0207 * MF	
	R..0104	57.11.3244	240 K	1% 0207 * MF	
	R..0106	57.11.3222	2.2 K	1% 0207 * MF	
	R..0107	57.11.3432	4.3 K	1% 0207 * MF	
	R..0108	57.11.3822	8.2 K	1% 0207 * MF	
(00)	R..0109	57.11.3274	270 K	1% 0207 * MF	
(01)	R..0109	57.11.4274	270 K	2% 0207 * MF	
	R..0201	57.11.3222	2.2 K	1% 0207 * MF	
	R..0202	57.11.3332	3.3 K	1% 0207 * MF	
	R..0204	57.11.3244	240 K	1% 0207 * MF	
	R..0206	57.11.3222	2.2 K	1% 0207 * MF	
	R..0207	57.11.3432	4.3 K	1% 0207 * MF	
	R..0208	57.11.3822	8.2 K	1% 0207 * MF	
(00)	R..0209	57.11.3274	270 K	1% 0207 * MF	
(01)	R..0209	57.11.4274	270 K	2% 0207 * MF	

(01) 26.06.87 PARTNUMBER CHANGE

ORIG 86/09/16 (01) 87/06/26

STUDER (01) 87/06/26 REPRO. SPEED BOARD 19/38 NAB 1.777.638.00 PAGE 1

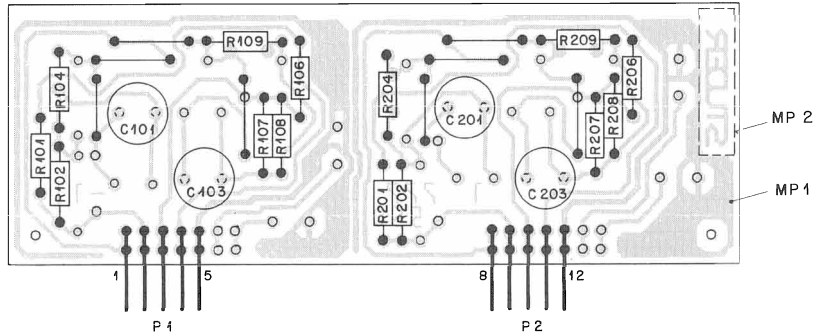
REPRO SPEED BOARD 9.5/38 NAB 1.777.639.00



Note:
Components with no value indication are not installed.

14.2.87	EW	○ ..	○ ..	○ ..	○ ..
C270					PAGE 1 OF 1
STUDER	REPRO SPEED B.9.5/38NAB(3,75/ 15)			SC	1.777.639.00

REPRO SPEED BOARD 9.5/38 NAB 1.777.639.00

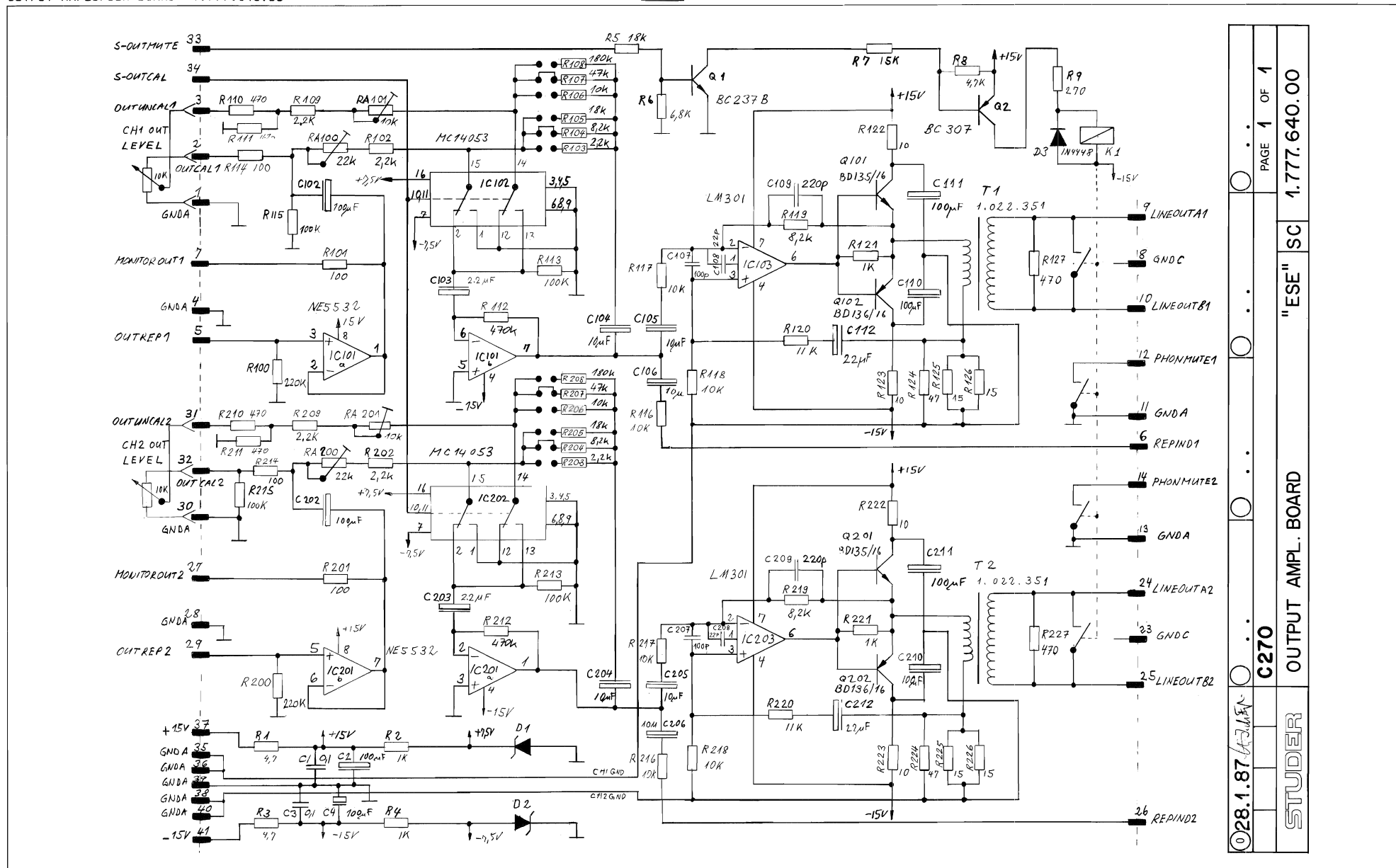


IND.	POS. NO.	PART NO.	VALUE	SPECIFICATIONS / EQUIVALENT	MANUF.
C..0101		59.05-2103	.01 U	2.5%, 63V * PP	
C..0103		59.05-2103	.01 U	2.5%, 63V * PP	
C..0201		59.05-2103	.01 U	2.5%, 63V * PP	
C..0203		59.05-2103	.01 U	2.5%, 63V * PP	
MP..0001		1.777.550.11		REPRO. SPEED BOARD PCB	
MP..0002		1.777.639.01		Label	
P..0001		54.01-0269	5 PGL	STRIP CIS	
P..0002		54.01-0269	5 PGL	STRIP CIS	
R..0101		57.11-3222	2.2 K	1%, 0207 * MF	
R..0102		57.11-3332	3.3 K	1%, 0207 * MF	
R..0104		57.11-3244	240 K	1%, 0207 * MF	
R..0106		57.11-3222	2.2 K	1%, 0207 * MF	
R..0107		57.11-3822	8.2 K	1%, 0207 * MF	
R..0108		57.11-3473	67 K	1%, 0207 * MF	
R..0109		57.11-3334	330 K	1%, 0207 * MF	
R..0201		57.11-3222	2.2 K	1%, 0207 * MF	
R..0202		57.11-3332	3.3 K	1%, 0207 * MF	
R..0204		57.11-3244	240 K	1%, 0207 * MF	
R..0206		57.11-3222	2.2 K	1%, 0207 * MF	
R..0207		57.11-3822	8.2 K	1%, 0207 * MF	
R..0208		57.11-3473	67 K	1%, 0207 * MF	
R..0209		57.11-3334	330 K	1%, 0207 * MF	

ORIG B6/09/16

STUDER (00) B6/09/16 REPRO. SPEED BOARD 9.5/38 NAB 1.777.639.00 PAGE 1

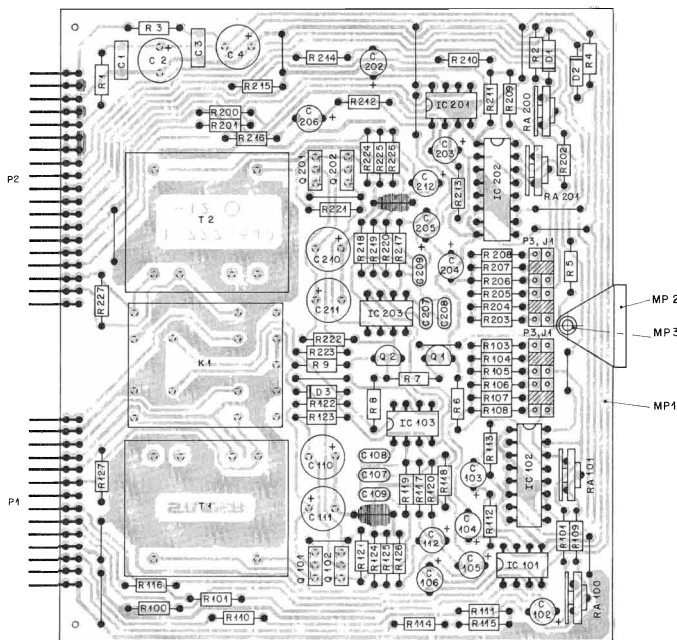
OUTPUT AMPLIFIER BOARD 1.777.640.00



©28.1.87 *Handwritten signature*
STUDER
C270
OUTPUT AMPL. BOARD
"ESE" SC 1.777.640.00
PAGE 1 OF 1



OUTPUT AMPLIFIER BOARD 1.777.640.00



IND.	POS-NO.	PART NO.	VALUE	SPECIFICATIONS / EQUIVALENT	MANUF.
C++0001	59-26-5104	1 U	5%	83V + PETP	
C++0002	59-26-5103	100 U	-20%	25V + EL	
C++0003	59-26-5104	1 U	5%	83V + PETP	
C++0004	59-26-5103	100 U	-20%	25V + EL	
C++0102	59-22-3103	100 U	-20%	10V + EL	
C++0103	59-22-3102	2.2 U	-20%	43V + EL	
C++0104	59-22-4100	10 U	-20%	40V + EL	
C++0105	59-22-4100	10 U	-20%	40V + EL	
C++0106	59-22-4100	10 U	-20%	40V + EL	
C++0107	59-24-1101	100 P	5%	8750 + CER	
C++0108	59-24-2200	22 P	5%	N150 + CER	
C++0109	59-24-2201	220 P	5%	N150 + CER	
(00) C++0110	59-22-2103	22 U	-20%	75V + EL	
C++0111	59-22-2101	100 U	-20%	25V + EL	
C++0112	59-22-2101	22 U	-20%	25V + EL	
C++0113	59-22-2101	100 U	-20%	10V + EL	
C++0114	59-22-2101	2.2 U	-20%	43V + EL	
C++0115	59-22-2100	10 U	-20%	40V + EL	
C++0116	59-22-2100	10 U	-20%	40V + EL	
C++0117	59-24-1101	100 P	5%	8750 + CER	
C++0118	59-24-2200	22 P	5%	N150 + CER	
C++0119	59-24-2201	220 P	5%	N150 + CER	
(00) C++0120	59-22-2103	22 U	-20%	25V + EL	
C++0121	59-22-2101	100 U	-20%	25V + EL	
C++0122	59-22-2102	22 U	-20%	25V + EL	

D++0001	50-04-1103	7.5 V	5%	+006 + Z	ITT/Mot+Ph
D++0002	50-04-1103	1.5 V	5%	+006 + Z	
D++0003	50-04-0125			1N 4448 + S1	
IC-0101	90-04-0105			NE 5532 N	Sig+Ex+Ro
IC-0102	90-07-0115			MC 14 0538P/C/D 4053 BCN/A	Mot+NS
IC-0103	90-05-0144			LM 301 AN	NS
IC-0104	90-04-0105			NE 5532 N	Sig+Ex+Ro

STUDER (01) 87/11/15 OUTPUT AMPL. BOARD A 1.777.640.00 PAGE 1

IND.	POS-NO.	PART NO.	VALUE	SPECIFICATIONS / EQUIVALENT	MANUF.
IC-0202	50-07-0145			MC 14 0538P/C/D 4053 BCN/A	Mot+NS
IC-0203	50-04-0144			LM 301 AN	NS
K++0001	54-01-0021	4 pcs		JUMPER	Bg
K++0001	54-04-0144	24V 4RU	220V / 2A	+ PRINT	Orion/Zettler/SOS
(00) MP-0001	1.777.640.11			OUTPUT AMPL. PCB	St
(01) MP-0001	1.777.640.12			OUTPUT AMPL. PCB	St
MP-0002	1-1330-001-33			CRIMP	St
MP-0003	28.21.1360			TUBULAR RIVET	St
P++0001	54-01-0274	14 PDL-		STRIP C15 ANGLES	AMP
P++0002	54-01-0279	19 PDL-		STRIP C15 ANGLES	AMP
P++0003	54-01-0020	24 pcs		H5-8/3-A	Bg
Q++0001	50-03-0436			BC 237 B BC 547 B	Sig+Ph+Mot
Q++0002	50-03-0435			BC 307	Ph+Mot+ITT
Q++0101	50-03-0495			BD 135-16	Ph+SG+To
Q++0102	50-03-0495			BD 136-16	
Q++0201	50-03-0495			BD 135-16	
Q++0202	50-03-0495			BD 136-16	
R++0001	57-11-4109	4.7	2%	0207 + MF	
R++0002	57-11-4102	1 K	2%	0207 + MF	
R++0003	57-11-4109	4.7	2%	0207 + MF	
R++0004	57-11-4102	1 K	2%	0207 + MF	
R++0005	57-11-4103	18 K	2%	0207 + MF	
R++0006	57-11-4102	4.7 K	2%	0207 + MF	
R++0007	57-11-4103	15 K	2%	0207 + MF	
R++0008	57-11-4102	4.7 K	2%	0207 + MF	
R++0009	57-11-4102	200	2%	0207 + MF	
R++0100	57-11-4102	220 K	2%	0207 + MF	
R++0101	57-11-4101	100	2%	0207 + MF	
R++0102	57-11-4102	2.2 K	2%	0207 + MF	
R++0103	57-11-4102	2.2 K	2%	0207 + MF	
R++0104	57-11-4102	8.2 K	2%	0207 + MF	

STUDER (01) 87/11/15 OUTPUT AMPL. BOARD A 1.777.640.00 PAGE 2

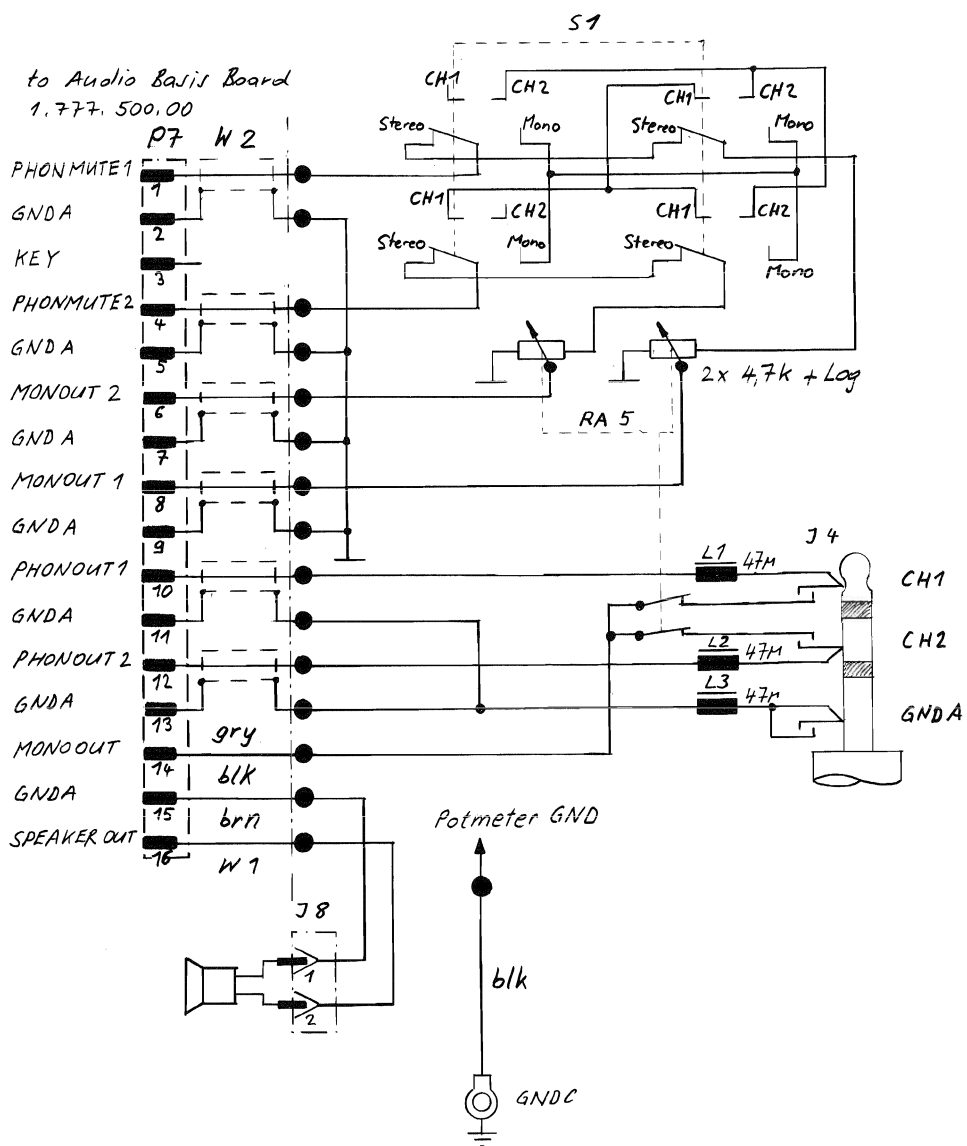
IND.	POS-NO.	PART NO.	VALUE	SPECIFICATIONS / EQUIVALENT	MANUF.
R++0105	57-11-4103	18 K	2%	0207 + MF	
R++0106	57-11-4103	10 K	2%	0207 + MF	
R++0107	57-11-4103	47 K	2%	0207 + MF	
R++0108	57-11-4106	180 K	2%	0207 + MF	
R++0109	57-11-4102	2.2 K	2%	0207 + MF	
R++0110	57-11-4101	470	2%	0207 + MF	
R++0111	57-11-4101	470	2%	0207 + MF	
R++0112	57-11-4104	470 K	2%	0207 + MF	
R++0113	57-11-4104	1000 K	2%	0207 + MF	
R++0114	57-11-4101	100	2%	0207 + MF	
R++0115	57-11-4104	1000 K	2%	0207 + MF	
R++0116	57-11-4103	10 K	2%	0207 + MF	
R++0117	57-11-4103	10 K	2%	0207 + MF	
R++0118	57-11-4103	10 K	2%	0207 + MF	
R++0119	57-11-4102	8.2 K	2%	0207 + MF	
R++0120	57-11-3113	11 K	1%	0207 + MF	
R++0121	57-11-4102	1 K	2%	0207 + MF	
R++0122	57-11-4100	10	2%	0207 + MF	
R++0123	57-11-4100	10	2%	0207 + MF	
R++0124	57-11-4100	10	2%	0207 + MF	
R++0125	57-11-4100	15	2%	0207 + MF	
R++0126	57-11-4100	15	2%	0207 + MF	
R++0127	57-11-4101	47	2%	0207 + MF	
R++0200	57-11-4104	220 K	2%	0207 + MF	
R++0201	57-11-4101	100	2%	0207 + MF	
R++0202	57-11-4102	2.2 K	2%	0207 + MF	
R++0203	57-11-4102	2.2 K	2%	0207 + MF	
R++0204	57-11-4102	8.2 K	2%	0207 + MF	
R++0205	57-11-4103	18 K	2%	0207 + MF	
R++0206	57-11-4103	10 K	2%	0207 + MF	
R++0207	57-11-4103	47 K	2%	0207 + MF	
R++0208	57-11-4104	180 K	2%	0207 + MF	
R++0209	57-11-4102	2.2 K	2%	0207 + MF	
R++0210	57-11-4101	470	1%	0207 + MF	
R++0211	57-11-4101	470	1%	0207 + MF	
R++0212	57-11-4104	470 K	1%	0207 + MF	
R++0213	57-11-4106	1000 K	2%	0107 + MF	

STUDER (01) 87/11/15 OUTPUT AMPL. BOARD A 1.777.640.00 PAGE 3

R++0214	57-11-4101	100	2%	0207 + MF	
R++0215	57-11-4104	100 K	2%	0207 + MF	
R++0216	57-11-4103	10 K	2%	0207 + MF	
R++0217	57-11-4103	10 K	2%	0207 + MF	
R++0218	57-11-4103	10 K	2%	0207 + MF	
R++0219	57-11-4102	8.2 K	2%	0207 + MF	
R++0220	57-11-3113	11 K	1%	0207 + MF	
R++0221	57-11-4102	1 K	2%	0207 + MF	
R++0222	57-11-4100	10	2%	0207 + MF	
R++0223	57-11-4100	10	2%	0207 + MF	
R++0224	57-11-4100	47	2%	0207 + MF	
R++0225	57-11-4100	15	2%	0207 + MF	
R++0226	57-11-4100	15	2%	0207 + MF	
R++0227	57-11-4101	470	2%	0207 + MF	
RA-0100	58-02-4223	22 K	20%	+1 W + PCSCH	Ph+Dr+atoric
RA-0101	58-02-4103	10 K	20%	+1 W + PCSCH	Ph+Dr+atoric
RA-0102	58-02-4223	22 K	20%	+1 W + PCSCH	Ph+Dr+atoric
RA-0103	58-02-4103	10 K	20%	+1 W + PCSCH	Ph+Dr+atoric
T++0001	1-022-351-00			TRANSFORMER OUTPUT	St
T++0002	1-022-351-00			TRANSFORMER OUTPUT	

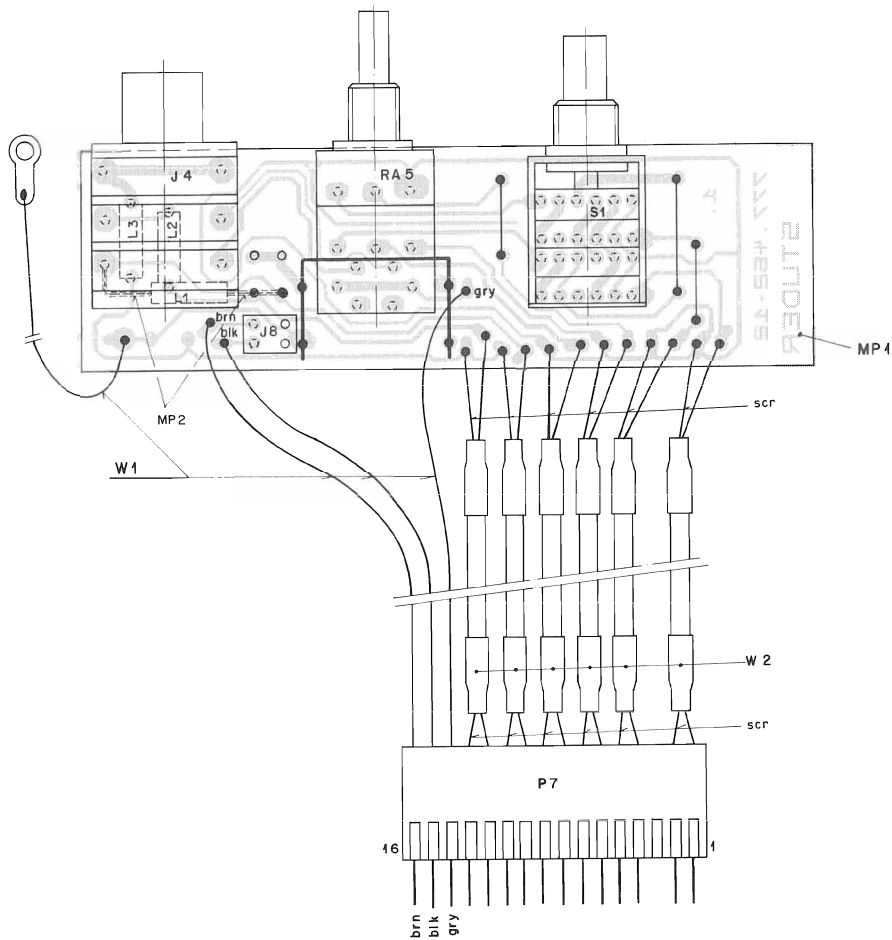
(01) 15-11-87 PCB Revise
 MANUFACTURER: Mot+Motorola+NS+National+Semiconductors+Ph+Philips
 Sig+Siemens+St+Stancor+Ex+Tele+Telefon+Tele+Toshiba
 SCS+SGS+Siemens+Siemens+Siemens+Siemens+Siemens+Siemens
 ITT+Interphase
 ORIG 86/99/16 (01) 87/11/15
 STUDER (01) 87/11/15 OUTPUT AMPL. BOARD A 1.777.640.00 PAGE 4

AUDIO SWITCH BOARD 1.777.462.00



① 19.1.87 Z.F.L.	① 12.8.87 J.M.E.L.	② 10.12.87 J.M.E.L.	○ ..	○ ..
C270				PAGE 1 OF 1
STUDER SWITCH BOARD		SC 1.777.462.00		

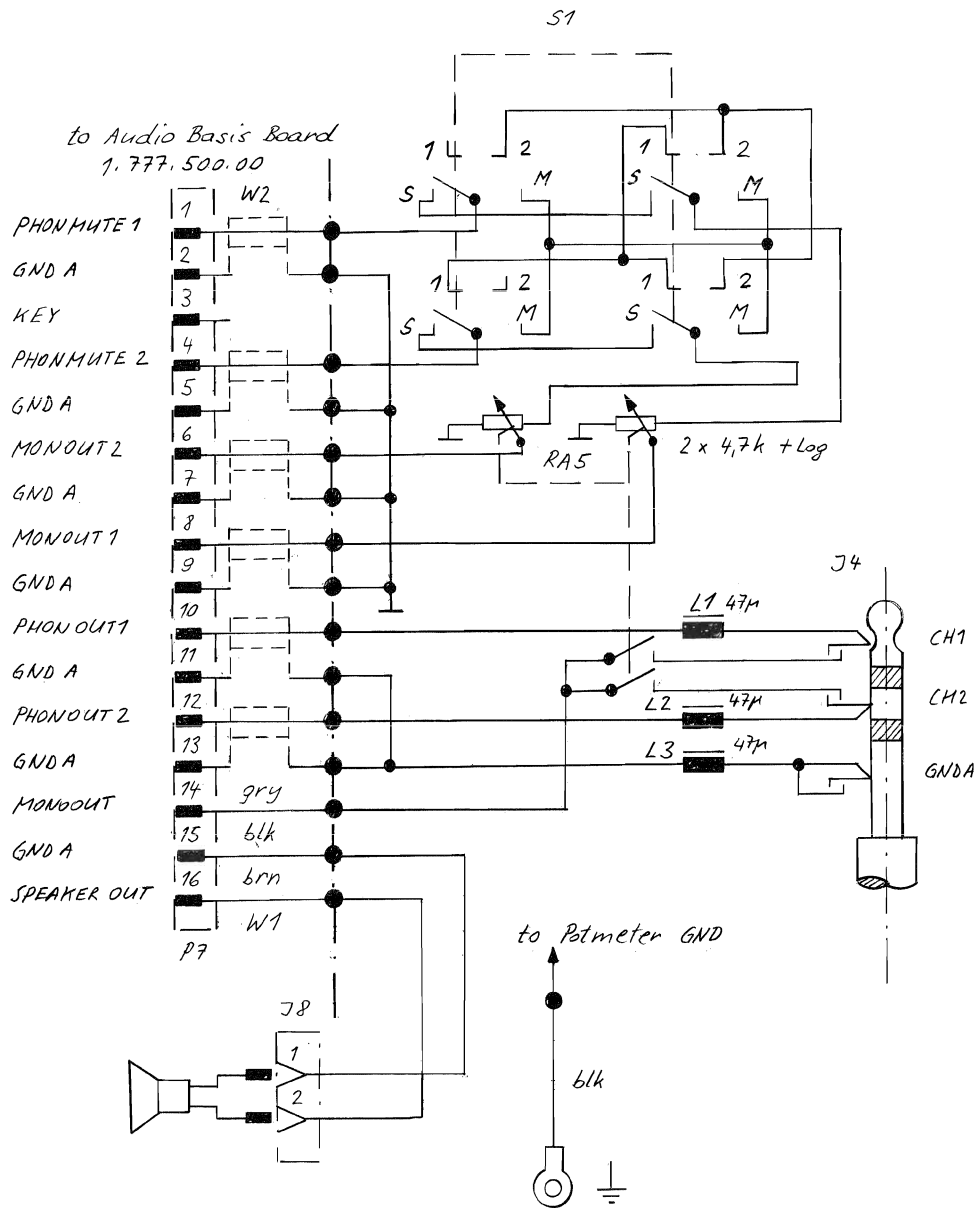
AUDIO SWITCH BOARD 1.777.462.00



IND.	POS. NO.	PART NO.	VALUE	SPECIFICATIONS / EQUIVALENT	MANUF.
(01)	C..0001	59.32.3103		C 10 N ±20% CER	
(03)	C..0001			not connected	
(01)	C..0002	59.32.3103		C 10 N ±20% CER	
(03)	C..0002			not connected	
(00)	C..0012	59.34.1101		C 100 P ±5% CER	
(01)	C..0012	59.06.0104		C 100 N ±10% PLTP	
(03)	C..0012			not connected	
(03)	L..0001	62.01.0138		coil 47 Mikro	ph
(03)	L..0002	62.01.0138		coil 47 Mikro	ph
(03)	L..0003	62.01.0138		coil 47 Mikro	ph
(00)	J..0004	1.710.390.02		JACK STEREO	St
(01)	J..0008	54.71.0287	3 PDL.	SOCKET STRIP CIS	AMP
(01)	J..0008	54.01.0204	2 PDL.	SOCKET STRIP CIS	AMP
(00)	MP.0001	1.777.462.11		LEVEL-SWITCH PCB	St
(02)	MP.0001	1.777.462.12		LEVEL-SWITCH PCB	St
(03)	MP.0002	1.010.105.65	2 pcs	TUBE	St
	P..0007	54.01.0283	16 PDL.	CASING CIS	AMP
	RA.0005	1.010.024.98		PDT 4.7 K *LOG	Preh
	S..0001	1.725.810.02		ROTARY SWITCH	Alps
	W..0001	1.777.462.93		WL-SWITCH BOARD	St
	W..0002	1.777.462.94		KL-SWITCH BOARD	St

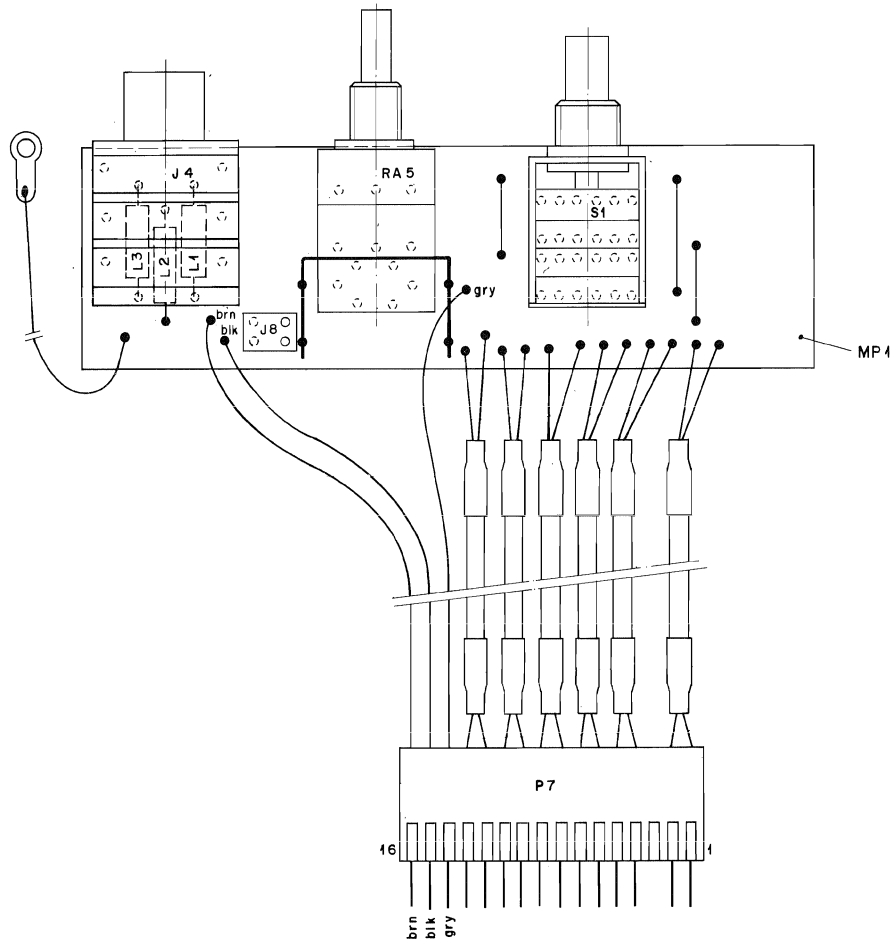
(01) 12.08.87 Value adjust
 (02) 15.11.87 PCB Revise
 (03) 10.12.87 FTZ Revise
 MANUFACTURER: St=Studer, Alps=AlpsCo, AMP=AMP Incorporated, ph=Philips.
 DRIG 87/01/20 (01) 87/08/12 (02) 87/11/15 (03) 87/12/10
 S T U D E R (03) 87/12/10 SWITCH BOARD 1.777.462.00 PAGE 1

SWITCH BOARD 1.777.463.00



© 161287 J. v. d. H.	○ ..	○ ..	○ ..	○ ..
C 270	PAGE 1 OF 1			
STUDER	SWITCH BOARD		SC	1.777.463-00

SWITCH BOARD 1.777.463.00



IND.	POS.NO.	PART NO.	VALUE	SPECIFICATIONS / EQUIVALENT	MANUF.
L..0001		62.01.0138		coil 47 Mikro	ph
L..0002		62.01.0138		coil 47 Mikro	ph
L..0003		62.01.0138		coil 47 Mikro	ph
J..0004		1.710.350.02		JACK STEREO	St
J..0008		54.01.0204	2 POL.	SOCKET STRIP CIS	AMP
MP.0001		1.777.462.13		LEVEL-SWITCH PCB	St
P..0007		54.01.0283	16 POL.	CASING CIS	AMP
RA.0005		1.010.024.58		POT 4.7 K +LOG	Preh
S..0001		1.725.810.02		ROTARY SWITCH	Alps
W..0001		1.777.462.93		WL-SWITCH BOARD	St
W..0002		1.777.462.94		KL-SWITCH BOARD	St

MANUFACTURER: St=Studer, Alps=AlpsCo, AMP=AMP Incorporated, ph=Philips.

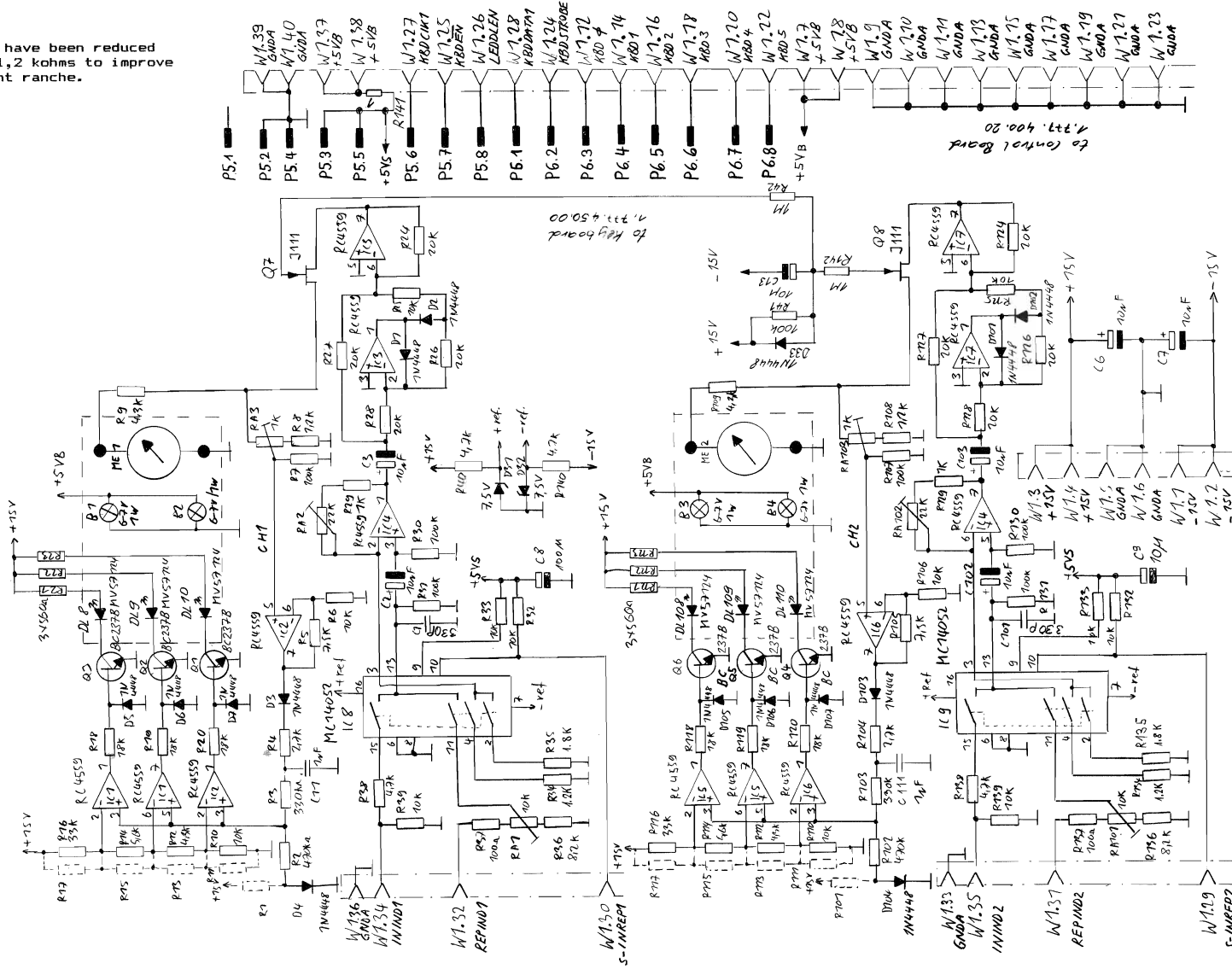
ORIG 87/12/20

STUDER (00) 87/12/20 SWITCH BOARD

1.777.463.00 PAGE 1

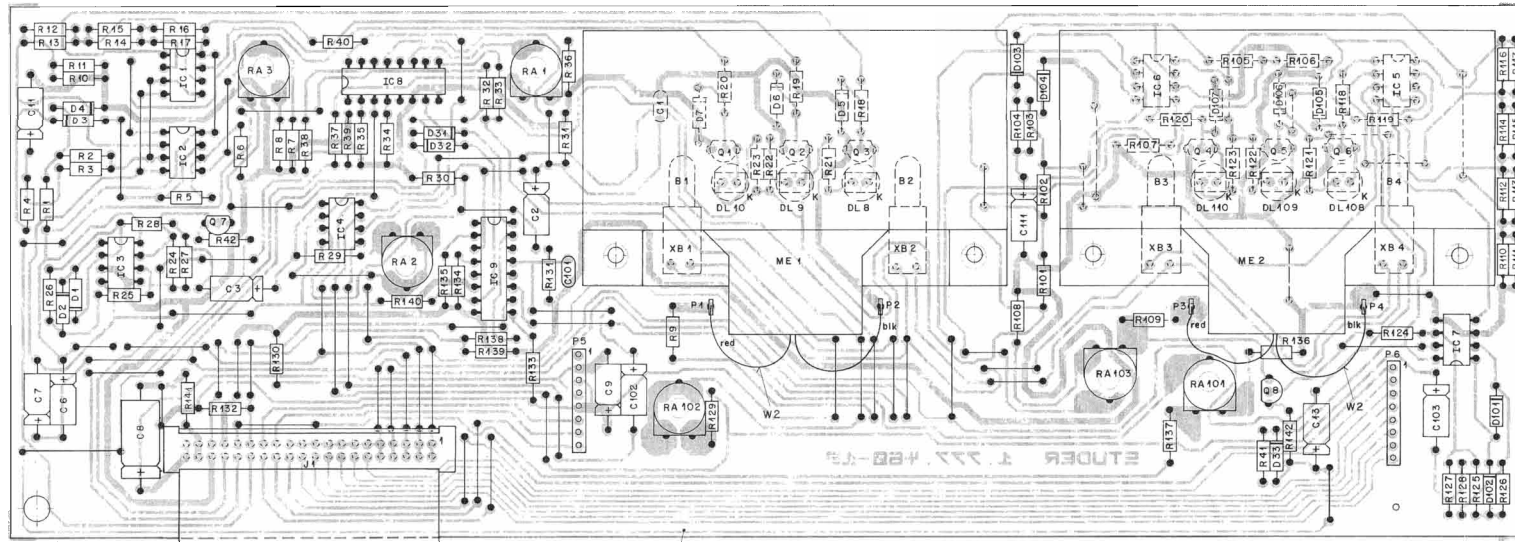
VU-PEAK BOARD 1.777.460.00

Note:
R34 and R134 have been reduced
from 1,8 to 1,2 kohms to improve
the adjustment ranche.



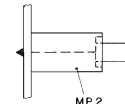
① 21.1.87	② 12.8.87 J. Müller	③ 3.2.88 J. Müller	○	PAGE 1 OF 1
STUDER		"ESE" SC 1.777.460.00		
C270		VU-PEAK-BOARD		

VU-PEAK BOARD 1.777.460.00



MP 1

W1



MP 2
DL 8, 9, 10
DL 108, 109, 110



VU-PEAK BOARD 1.777.460.00

Table with columns: IND., POS.-NO., PART NO., VALUE, SPECIFICATIONS / EQUIVALENT, MANUF., and a second set of columns for a second board. Includes part numbers like B..0001, C..0001, D..0001, etc.

S T U D E R (03) 88/02/03 VU-PEAK-BOARD A 1.777.460.00 PAGE 1

S T U D E R (05) 88/12/01 VU-PEAK-BOARD A PL 1.777.460.00 PAGE 4

Table with columns: IND., POS.-NO., PART NO., VALUE, SPECIFICATIONS / EQUIVALENT, MANUF., and a second set of columns. Includes part numbers like D..0107, DL.0008, IC.0001, etc.

S T U D E R (03) 88/02/03 VU-PEAK-BOARD A 1.777.460.00 PAGE 2

S T U D E R (05) 88/12/01 VU-PEAK-BOARD A PL 1.777.460.00 PAGE 5

Table with columns: IND., POS.-NO., PART NO., VALUE, SPECIFICATIONS / EQUIVALENT, MANUF., and a second set of columns. Includes part numbers like G..0001, Q..0001, R..0001, etc.

S T U D E R (03) 88/02/03 VU-PEAK-BOARD A 1.777.460.00 PAGE 3

S T U D E R (05) 88/12/01 VU-PEAK-BOARD A PL 1.777.460.00 PAGE 6